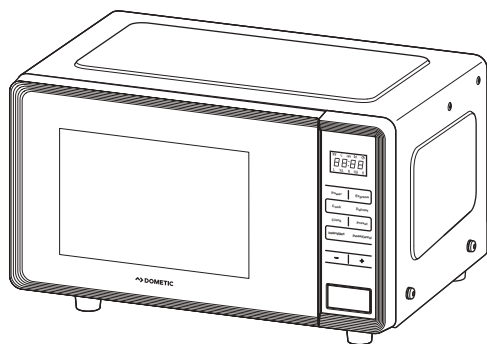


↔ DOMETIC

COOKING

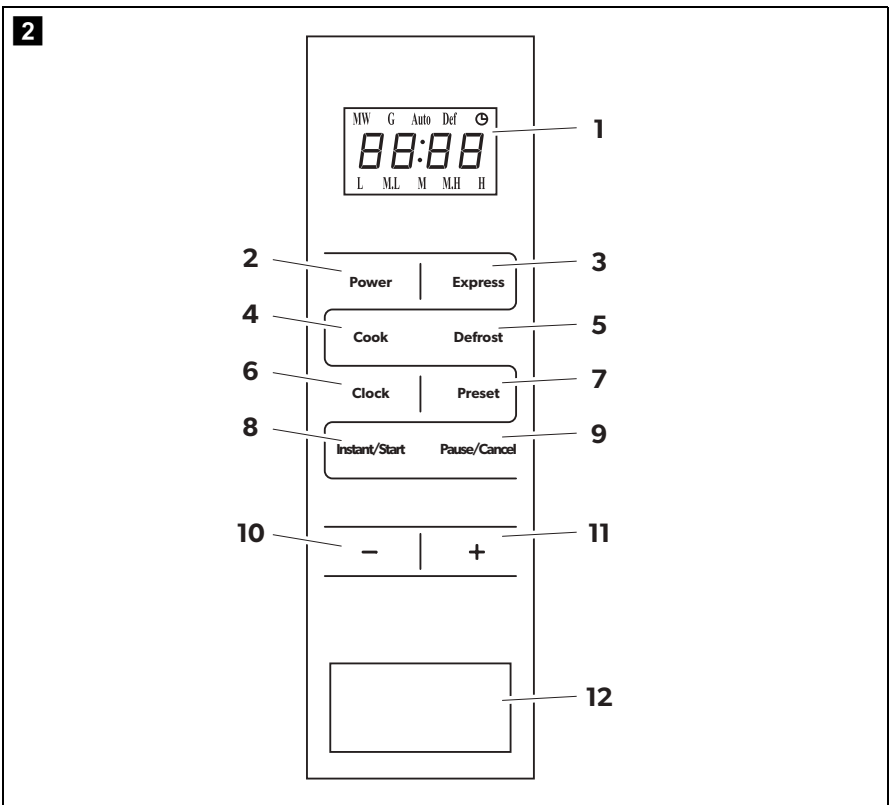
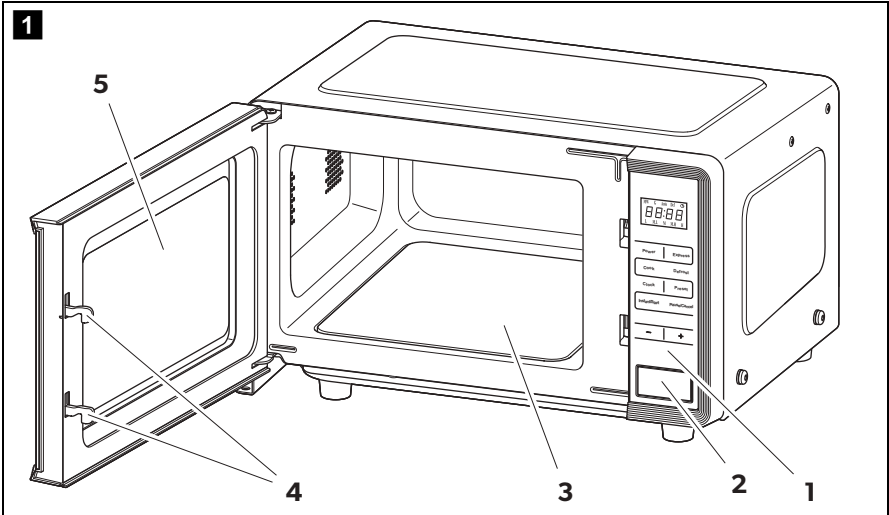
MICROWAVES



MWO240

EN	Microwave Oven Operating manual	4
DE	Mikrowelle Bedienungsanleitung	20
FR	Four à micro-ondes Notice d'utilisation	36
ES	Microondas Instrucciones de uso	53
PT	Micro-ondas Manual de instruções	68
IT	Forno a microonde Istruzioni per l'uso	84
NL	Magnetron Gebruiksaanwijzing	101
DA	Mikrobølgeovn Betjeningsvejledning	117
SV	Mikrovågsugn Bruksanvisning	133

NO	Mikrobølgeovn Bruksanvisning	148
FI	Mikroaaltouuni Käyttöohje	163
RU	Микроволновая печь Инструкция по эксплуатации	178
PL	Kuchenka mikrofalowa Instrukcja obsługi	195
SK	Mikrovlinná rúra Návod na obsluhu	212
CS	Mikrovlinná trouba Návod k obsluze	227
HU	Mikrohullámú sütő Használati utasítás	243



Please read this instruction manual carefully before first use, and store it in a safe place. If you pass on the product to another person, hand over this instruction manual along with it.

Table of contents

1	Explanation of symbols	4
2	Safety instructions	5
3	Scope of delivery	7
4	Intended use	7
5	Technical description	8
6	Connecting and setting the microwave	9
7	Operating the microwave oven	10
8	Cleaning and care	17
9	Troubleshooting	18
10	Warranty	18
11	Disposal	19
12	Technical data	19

1 Explanation of symbols



WARNING!

Safety instruction: Failure to observe this instruction can cause death or serious injury.



CAUTION!

Safety instruction: Failure to observe this instruction can lead to injury.



NOTICE!

Failure to observe this instruction can cause material damage and impair the function of the product.

**NOTE**

Supplementary information for operating the product.

2 Safety instructions

**WARNING!**

- Use this device only for its intended use as described in this instruction manual.
- Do not use corrosive chemicals in this device.
- Do not operate the device when it is empty.
- Do not put this device into operation
 - if cables or plugs are damaged
 - if it is not functioning properly
 - if it has been damaged or dropped.
- If the connection cable is damaged, it must be replaced by the manufacturer or its customer service or a similarly qualified person in order to prevent safety hazards.
- This device can be used by children aged 8 years or over, as well as by persons with diminished physical, sensory or mental capacities or a lack of experience and knowledge, providing they are supervised, or have been taught how to use the device safely and are aware of the resulting risks.
- Cleaning and user maintenance must not be performed by unsupervised children.
- This device is not intended for use by persons (including children) with reduced physical, sensory or mental abilities or lack of experience and knowledge, unless they are given supervision or extensive instruction concerning use of the device by a person responsible for their safety.
- Children must be supervised to ensure that they do not play with the appliance.
- Always keep and use the device out of the reach of children under 8 years of age.

- To reduce the risk of fire inside the microwave oven:
 - When heating food in plastic or paper containers, check the microwave oven for possible ignition.
 - Remove wires from microwave-safe paper or plastic bags before placing them in the microwave oven.
 - In case of smoke, turn off the device or unplug the power plug. Keep the door closed to smother any flames.
 - Do not use the interior for storage purposes. Do not leave paper products, cooking utensils or food in the microwave oven if you are not using it.
- Dishes should be checked for appropriate use in a microwave oven.
- The microwave oven must be repaired by qualified personnel only. It is dangerous for untrained people to perform service or repair work which includes removal of cover panels, as these provide protection against exposure to microwave energy.

**CAUTION!**

- Liquid or other foodstuffs may not be heated in sealed containers, because it could explode.
- Heating drinks can lead to delayed sudden upward spraying, so use care when handling the container.
- Do not fry food in the microwave oven. Hot oil can damage oven parts and utensils and cause burns to the skin.
- Eggs in the shell and hard-boiled eggs should not be heated in microwave ovens, since they may explode even after heating.
- To prevent burns, the contents of baby bottles and baby jars should be stirred or shaken and the temperature should be checked before consumption.
- Cooking utensils may become hot because of heat transferred from the heated food. Potholders may be required for use.
- Beware of burns! All surfaces, including the device door, can become hot during operation. Keep small children away from the device. The heating elements in the device can remain hot after operation. Do not touch the heating elements in the device.
- Do not use the microwave oven with the door open, as this can lead to harmful exposure to microwaves. Protection devices may not be bypassed or tampered with.
- Do not place an object between the front surface of the microwave oven and the door.
- Remove cleaning residue that could accumulate on sealing surfaces.

- Do not operate the device if it has been damaged. It is particularly important that the microwave oven door closes properly and that there is no damage to
 - The door (bent)
 - Hinges and latches (broken or loosened)
 - Door seals and sealing surfaces
- Do not use the microwave oven while driving.
- Do not use the microwave oven as additional storage space (e.g. for clothing).

**NOTICE!**

- Check that the voltage specification on the type plate is the same as that of the energy supply.

3 Scope of delivery

- Microwave oven
- Operating manual

4 Intended use

The microwave oven is designed for setting up in caravans and motorhomes. It is suitable for defrosting and heating food for short periods of up to 60 minutes. This type of microwave oven is specifically designed to heat or cook. It is not designed for industrial or laboratory use.

The microwave oven is designed to operate on the AC mains.

5 Technical description

The microwave oven has the following components and control elements:

Components

Item in fig. 1, page 3	Explanation
1	Control panel
2	Door opener
3	Ceramic plate
4	Door lock
5	Microwave window

Control elements

Item in fig. 2, page 3	Explanation
1	Display for indicating the cooking time, power and current time
2	POWER Select the required microwave power 100P, 80P, 60P, 40P, 20P
3	EXPRESS Select the EXPRESS operating mode: 0:30, 1:00 or 1:30
4	COOK Select the COOK operating mode
5	DEFROST Select the DEFROST operating mode to defrost frozen food
6	CLOCK Set the time
7	PRESET Set the timer
8	INSTANT/START Start or stop the current cooking or defrosting program
9	PAUSE/CANCEL Cancel during settings During operation: Press once: Pause operation, press twice: Stop operation

Item in fig. 2, page 3		Explanation
10	–	Set the cooking time During operation: Reduce the cooking time or the weight during operation
11	+	Set the cooking time During operation: Increase the cooking time or the weight during operation
12		Door opener

6 Connecting and setting the microwave

6.1 Setting up the microwave

Observe the following instructions when setting up:

- Make sure that all packaging materials are removed from the inside of the door.
- Check the microwave oven for damage such as a misaligned or bent door, damaged door seals and sealing surfaces, broken or loose door hinges, and latches and dents inside or on the door. If you notice any damage, do not put the microwave oven into operation and contact qualified service personnel.
- The microwave oven must be placed on a flat, stable surface that can support its weight as well as the heaviest possible food.
- Place the microwave oven at least 85 cm above the ground.
- Do not place the microwave oven near heat, moisture, high humidity or flammable materials.
- Proper operation of the microwave oven requires a sufficient air supply. Keep a sufficient distance (approx. 5 cm) to the outer walls in order to ensure heat exchange. Do not cover or block openings on the microwave oven. The feet should not be removed.
- Make sure that the connection cable is undamaged and does not run under the microwave oven or across a hot or sharp surface.
- Do not use the microwave oven outdoors.

6.2 Connecting the microwave oven to the power supply

- ▶ Connect the power plug to the AC mains.
- ✓ The display flashes three times and displays “-: -”.

6.3 Setting the time

- ▶ Press the **CLOCK** button to set the time.
- ✓ The display shows 00:00.
- ▶ Press the **+** or **-** buttons to set the hours.
- ▶ Press the **CLOCK** button.
- ▶ Press the **+** or **-** buttons to set the minutes.
- ▶ Press the **CLOCK** button or wait 5 seconds to save the time.

7 Operating the microwave oven



NOTE

A new microwave oven can cause odors due to production residues. Ventilate the living space when using the microwave oven the first few times. Heating a cup of water at high power multiple times is recommended to eliminate odors.

7.1 Information on cooking food

- Arrange the food carefully. Place the thickest areas towards the outside.
- Pay attention to the cooking time. Always cook for the shortest indicated time and increase it if necessary. Overcooked foods may produce smoke or catch fire.
- Cover food during cooking. Covers prevent splashing and ensure uniform cooking.
- Turn foods such as chicken and hamburger once during the cooking process. Large food such as roasts must be turned over at least once.
- Rearrange foods such as meatballs after half the time from top to bottom and from the center outwards.

7.2 Information about cookware

- The ideal material for a microwave oven is permeable to microwaves, allowing energy to penetrate the container and heat the food.
- Microwaves cannot penetrate metal, so metal dishes or dishes with metallic trim should not be used.
- Do not use recycled paper products for cooking in a microwave oven, as they may contain small metal fragments which may cause sparks and/or fires.
- Round/oval dishes are better than square/oblong dishes, because food may overheat in the corners of the dish.

The following list serves as a guideline for suitable dishes:

Cookware	Microwave-safe
Heat-resistant glass	Yes
Non-heat-resistant glass	No
Heat-resistant ceramic	Yes
Microwave-safe plastic dishes	Yes
Plastic wrap	Yes (only at low power)
Metal bowls	No
Metal frames	No
Aluminum foil and aluminum foil containers	No
Bamboo tableware	No
Cardboard tableware	No

7.3 Cooking



NOTE

- You can set a maximum cooking time of 60 minutes.
- You can adjust the microwave power and the cooking time in any order (for example, the cooking time first and then the microwave power or vice versa).
- At maximum microwave power the unit reduces the power after some time to extend the service life of the microwave oven.
- Poke holes in food with hard skins such as potatoes, whole pumpkins, apples and chestnuts, before heating them.

- Place the food in the microwave oven and close the door.
- If necessary, press the **POWER** button repeatedly to select the required microwave power:

100P	100% microwave power; quick heating of food
80P	80% microwave power; heating food
60P	60% microwave power; steaming food
40P	40% microwave power; defrosting food
20P	20% microwave power; keeping food warm

- Press the **+** or **-** buttons to set the cooking time.
- Press the **INSTANT/START** button.
- ✓ After the set cooking time is finished, the display shows "End". Three consecutive signal tones sound if the door of the microwave oven has not yet been opened.



WARNING! Risk of burns from heated food!

Use suitable potholders to remove heated food from the microwave oven.

- Open the door and remove the heated food.



NOTE

The signal tone is repeated every three minutes until you open the door.

Opening the door during cooking

Opening the door stops the cooking process. The display shows the remaining time.

Continue the cooking process as follows:

- Close the door.
- Press the **INSTANT/START** button.

7.4 Heating liquids (EXPRESS operating mode)

- Place the food in the microwave oven and close the door.
- If necessary, press the **EXPRESS** button repeatedly to select the required cooking time of 0:30, 1:00 or 1:30.
- Press the **INSTANT/START** button.
- ✓ After the set cooking time is finished, the display shows "End". Three consecutive signal tones sound if the door of the microwave oven has not yet been opened.



WARNING! Risk of burns from heated food!

Use suitable potholders to remove heated food from the microwave oven.

- Open the door and remove the heated food.



NOTE

The signal tone is repeated every three minutes until you open the door.

7.5 Defrosting (DEFROST operating mode)

- Place the food in the microwave oven and close the door.
- Press the **DEFROST** button and enter the type of food according to the following table:

d.1 Defrost meat (0.1 to 2.0 kg)

d.2 Defrost poultry (0.2 to 3.0 kg)

d.3 Defrost fish (0.1 to 0.9 kg)

- Press the **+** or **-** buttons to set the weight.
- Press the **INSTANT/START** button to start the defrosting program.
- ✓ Upon completion of the defrosting program, the display shows "End" and three consecutive signal tones are sounded.

**NOTE**

The thawing times specified are guidelines. The actual thawing time required depends on the type of food and its water content (meat, fish, vegetables, fruit, bread, etc.). The higher the water content of the food, the more time is required for thawing. To distribute the heat evenly, turn the food over or around during the thawing process.

7.6 Heating specific dishes (COOK operating mode)

- Place the food in the microwave oven and close the door.
- If necessary, press the **COOK** button repeatedly to select the required dish:

A.1	Popcorn 85 g	For a typical pack of microwave popcorn with package size of 85 g. Press the PAUSE/CANCEL button when only 1 kernel of corn pops every 1 to 2 seconds.
A.2	Popcorn 100 g	As for A.1, for package size 100 g.
A.3	Pizza	Warm up 1 piece of frozen pizza (0.15 kg).
A.4	Beverages 250 ml	For a cup containing 250 ml of liquid at a temperature of about 5 to 10 °C. Use a wide cup. Do not cover the cup.
A.5	Beverages 500 ml	As for A.4, for a cup with 500 ml of liquid.
A.6	Potatoes	Cook potato strips (cut to 5-mm wide pieces). For a mass of 0.45 kg. Spread the strips out on a large plate. Cover the potatoes with suitable plastic wrap to prevent drying out.
A.7	Potatoes	As for A.6, for a mass of 0.65 kg.
A.8	Fish	For cooking fish gently. For a mass of 0.45 kg. Cut slits in the prepared fish. Place the fish on a large plate, season the fish and cover the fish with a suitable plastic wrap to prevent it from drying out. Let the fish rest for 2 minutes after the cooking.

- Press the **INSTANT/START** button.
- ✓ After the set cooking time is finished, the display shows “End”. Three consecutive signal tones sound if the door of the microwave oven has not yet been opened.

**WARNING! Risk of burns from heated food!**

Use suitable potholders to remove heated food from the microwave oven.

**NOTE**

The specified automatic cooking programs are based on guidelines. The actual cooking time required depends on the temperature, type and weight of the food. You can adjust the microwave power and cooking time in several stages to suit your needs (see chapter "Setting the multi-stage cooking program" on page 15).

- Open the door and remove the heated food.

**NOTE**

The signal tone is repeated every three minutes until you open the door.

7.7 Setting the multi-stage cooking program

You can adjust the microwave power and cooking time in up to 4 stages to meet your needs.

Example of a 2-stage cooking program: You would like to cook a dish at 100P for 3 minutes, then at 20P for 9 minutes.

- Place the food in the microwave oven and close the door.
- If necessary, press the **POWER** button repeatedly until the required microwave power of 100P is selected.
- Press the **+** or **-** buttons to set the cooking time to 3:00.
- If necessary, press the **POWER** button repeatedly until the required microwave power of 20P is selected.
- Press the **+** or **-** buttons to set the cooking time to 9:00.
- Press the **INSTANT/START** button.

7.8 Programming the timer

The timer function allows you to set a preferred time to start microwave operation.

An example of setting the timer function: It's 12:30 pm. At 2:30 pm, you would like to cook a dish at 100P for 3 minutes.

- Place the food in the microwave oven and close the door.

- Press the **CLOCK** button to set the time.
- ✓ The display shows 00:00.
- Press the **+** or **-** buttons to set the hours to 12:00 pm.
- Press the **CLOCK** button.
- Press the **+** or **-** buttons to set the minutes to 12:30 pm.
- Press the **CLOCK** button again.
- If necessary, press the **POWER** button repeatedly until the required microwave power of 100P is selected.
- Press the **+** or **-** buttons to set the cooking time to 3:00 pm.
- Press the **PRESET** button to set the timer.
- Press the **+** or **-** buttons to set the hour to 2:00 pm.
- Press the **PRESET** button.
- Press the **+** or **-** buttons to set the minutes to 2:30 pm.
- Press the **PRESET** button again to save the timer setting.
- ✓ The microwave oven starts at the set time.

You can check the timer function by pressing the **PRESET** button. The display shows the preset start time.

7.9 Locking the buttons

You can set a button lock as a child safety feature.

- To activate the button lock, hold the **PAUSE/CANCEL** button down for 3 seconds.
- To deactivate the button lock, hold the **PAUSE/CANCEL** button down for 3 seconds.

8 Cleaning and care

- Turn off the power and unplug the power plug before cleaning.
- Do not use scouring agents when cleaning the device.
- Keep the inside of the microwave oven clean. If food splashes or spilled liquids stick to the walls of the microwave oven, wipe them clean with a damp cloth. Use a mild detergent if the microwave oven is very dirty. Avoid the use of spray and other harsh cleaners, as they may cause stained, streaked or dull surfaces on the door.
- The outside surfaces should be cleaned with a damp cloth. To prevent damage to the operating components inside the microwave oven, water should not be allowed to enter directly into the air vents.
- Regularly wipe the door, the door seals and the adjacent parts with a damp cloth to remove dirt or splashes.
- Do not allow the control panel to get wet. Clean it with a soft, damp cloth. Leave the door open to avoid accidentally turning on the microwave oven.
- If moisture accumulates inside or around the outside of the door, wipe it dry with a soft cloth. This can occur if the microwave oven is operated under high humidity conditions, and is normal.
- Odors in the microwave oven can be removed by a cup of water and lemon juice and peel. Pour and place them in a deep microwave-safe container and turn on the microwave oven for 5 minutes. Wipe it out thoroughly and dry it with a soft cloth.
- Have a defective microwave lamp replaced by a specialist dealer.
- The microwave oven should be cleaned regularly and any food scraps should be removed. Not maintaining the device in a clean condition may damage the surface and shorten the service life of the device.

9 Troubleshooting

Fault	Solution
The microwave oven is not functioning.	Make sure that the microwave oven is plugged in correctly. If it is not properly plugged in, unplug it, wait 10 seconds, and then plug the microwave oven in correctly.
	Check if a fuse is blown or a circuit breaker has tripped. If they are functioning correctly, test the socket with another device.
	Make sure that the microwave oven and the cooking time are set correctly.
	Check whether the door is correctly closed. Otherwise, the microwaves will not reach the interior of the microwave oven.

10 Warranty

The statutory warranty period applies. If the product is defective, please contact the manufacturer's branch in your country (see the back of the instruction manual for the addresses) or your retailer.

For repair and warranty processing, please include the following documents when you send in the device:

- A copy of the receipt with purchasing date
- A reason for the claim or description of the fault

11 Disposal

- Place the packaging material in the appropriate recycling waste bins wherever possible.



If you wish to finally dispose of the product, ask your local recycling centre or specialist dealer for details about how to do this in accordance with the applicable disposal regulations.

12 Technical data

	MWO 240
Ref. no.:	9600008377
Rated voltage:	230 V $\overline{=}$, 50 Hz
Microwave power:	700 W
Microwave frequency:	2450 MHz
External dimensions H x W x D:	283 x 451 x 353 mm
Internal dimensions H x W x D:	181.5 x 303 x 321 mm
Capacity:	17 liter
Weight:	11.5 kg

Bitte lesen Sie diese Anleitung vor der Inbetriebnahme sorgfältig durch und bewahren Sie sie auf. Geben Sie sie im Falle einer Weitergabe des Produktes an den Nutzer weiter.

Inhaltsverzeichnis

1	Erklärung der Symbole	20
2	Sicherheitshinweise	21
3	Lieferumfang	23
4	Bestimmungsgemäßer Gebrauch	23
5	Technische Beschreibung	24
6	Mikrowelle anschließen und einstellen	25
7	Mikrowelle bedienen	26
8	Reinigung und Pflege	33
9	Störungen beseitigen	34
10	Gewährleistung	34
11	Entsorgung	35
12	Technische Daten	35

1 Erklärung der Symbole



WARNUNG!

Sicherheitshinweis: Nichtbeachtung kann zu Tod oder schwerer Verletzung führen.



VORSICHT!

Sicherheitshinweis: Nichtbeachtung kann zu Verletzungen führen.



ACHTUNG!

Nichtbeachtung kann zu Materialschäden führen und die Funktion des Produktes beeinträchtigen.

**HINWEIS**

Ergänzende Informationen zur Bedienung des Produktes.

2 Sicherheitshinweise

**WARNUNG!**

- Benutzen Sie dieses Gerät nur für den vorgesehenen Einsatz wie in dieser Anleitung beschrieben.
- Verwenden Sie keine ätzenden Chemikalien in diesem Gerät.
- Das Gerät nicht betreiben, wenn es leer ist.
- Dieses Gerät nicht in Betrieb nehmen
 - wenn Kabel oder Stecker beschädigt sind
 - wenn es nicht richtig funktioniert oder
 - wenn es beschädigt ist oder fallengelassen wurde.
- Wenn das Anschlusskabel beschädigt ist, muss es durch den Hersteller oder seinen Kundendienst oder eine ähnlich qualifizierte Person ersetzt werden, um Gefährdungen zu vermeiden.
- Dieses Gerät kann von Kindern ab 8 Jahren und darüber sowie von Personen mit verringerten physischen, sensorischen oder mentalen Fähigkeiten oder Mangel an Erfahrung und Wissen benutzt werden, wenn sie beaufsichtigt oder bezüglich des sicheren Gebrauchs des Gerätes unterwiesen wurden und die daraus resultierenden Gefahren verstehen.
- Reinigung und benutzerseitige Wartung darf nicht durch unbeaufsichtigte Kinder erfolgen.
- Dieses Gerät ist nicht zur Verwendung durch Personen (einschließlich Kinder) mit eingeschränkten physischen, sensorischen oder geistigen Fähigkeiten oder mangels Erfahrung und Wissen vorgesehen, sofern nicht eine angemessene Aufsicht oder ausführliche Anleitung zur Benutzung des Geräts durch eine für ihre Sicherheit zuständige Person erfolgt ist.
- Kinder sollten beaufsichtigt werden, um sicherzustellen, dass sie nicht mit dem Gerät spielen.
- Das Gerät grundsätzlich außerhalb der Reichweite von Kindern unter 8 Jahren benutzen und aufbewahren.

- Um die Brandgefahr im Garraum zu reduzieren:
 - Beim Erhitzen von Speisen in Kunststoff- oder Papierbehältern überprüfen Sie das Mikrowellengerät auf eine mögliche Zündung.
 - Entfernen Sie Drähte an mikrowellengeeigneten Papier- oder Plastiktüten, bevor Sie diese in das Mikrowellengerät legen.
 - Bei Rauchbildung, schalten Sie das Gerät aus oder ziehen Sie den Netzstecker. Halten Sie die Tür geschlossen, um eventuelle Flammen zu ersticken.
 - Verwenden Sie den Innenraum nicht zu Lagerzwecken. Lassen Sie Papierprodukte, Kochutensilien oder Lebensmittel nicht im Mikrowellengerät, wenn Sie es nicht benutzen.
- Geschirr sollte auf geeignete Verwendung im Mikrowellengerät geprüft werden.
- Das Mikrowellengerät darf ausschließlich von qualifiziertem Fachpersonal repariert werden. Es ist gefährlich für nicht ausgebildete Personen, Service- oder Reparaturarbeiten durchzuführen, die die Entfernung von Abdeckungen beinhaltet, da diese Schutz gegen Strahlenbelastung durch Mikrowellenenergie sicherstellen.



VORSICHT!

- Flüssige oder andere Lebensmittel dürfen nicht in verschlossenen Behältern erhitzt werden, da sie explodieren könnten.
- Das Erwärmen von Getränken kann zu einem verzögerten plötzlichen Hochspritzen führen, gehen Sie daher vorsichtig mit dem Behälter um.
- Keine Lebensmittel im Mikrowellengerät braten. Heißes Öl kann Ofenteile und Utensilien beschädigen und zu Hautverbrennungen führen.
- Eier mit Schale und hart gekochte Eier sollten nicht im Mikrowellengerät erhitzt werden, da sie auch nach dem Erwärmen explodieren können.
- Der Inhalt von Babyflaschen und Babygläsern sollte gerührt oder geschüttelt werden und die Temperatur vor dem Verzehr geprüft werden, um Verbrennungen zu vermeiden.
- Kochutensilien können heiß werden, weil Wärme aus dem erhitzten Lebensmittel übertragen wird. Topflappen können für den Gebrauch notwendig sein.
- Verbrennungsgefahr! Alle Oberflächen inklusive der Tür des Gerätes können während des Betriebs heiß werden. Halten Sie Kleinkinder vom Gerät fern. Die Heizelemente im Gerät können auch nach dem Betrieb noch heiß sein. Berühren Sie die Heizelemente im Gerät nicht.

- Verwenden Sie das Mikrowellengerät nicht mit geöffneter Tür, da dies zu einer schädlichen Einwirkung von Mikrowellen führen kann. Die Schutzvorrichtungen dürfen nicht umgangen oder manipuliert werden.
- Stellen Sie keine Gegenstände zwischen Mikrowellenvorderfläche und der Tür.
- Entfernen Sie Reinigungsmittelrückstände, die sich auf Dichtflächen ansammeln können.
- Nehmen Sie das Gerät nicht in Betrieb, wenn es beschädigt ist. Es ist besonders wichtig, dass die Mikrowellentür richtig schließt, und dass es keine Schäden gibt
 - der Tür (verbogen),
 - Scharnieren und Verriegelungen (gebrochen oder gelockert),
 - Türdichtungen und Dichtflächen.
- Benutzen Sie das Mikrowellengerät nicht während der Fahrt.
- Benutzen Sie das Mikrowellengerät nicht als zusätzlichen Stauraum (z. B. für Kleidung).

**ACHTUNG!**

- Vergleichen Sie die Spannungsangabe auf dem Typenschild mit der vorhandenen Energieversorgung.

3 Lieferumfang

- Mikrowellengerät
- Bedienungsanleitung

4 Bestimmungsgemäßer Gebrauch

Das Mikrowellengerät ist für die Aufstellung in Wohnwagen oder in Wohnmobilen ausgelegt. Es eignet sich zum Auftauen und Erhitzen von Lebensmitteln über Zeiträume von bis zu 60 Minuten. Diese Art von Mikrowellengerät ist speziell entwickelt, um zu erhitzen oder zu kochen. Es ist nicht für den Industrie- oder Laboreinsatz konzipiert.

Das Mikrowellengerät ist für den Betrieb am Wechselstromnetz ausgelegt.

5 Technische Beschreibung

Das Mikrowellengerät verfügt über folgende Bestandteile und Bedienelemente:

Bestandteile

Pos. in Abb. 1 , Seite 3	Erklärung
1	Bedienfeld
2	Türöffner
3	Keramikteller
4	Türverriegelung
5	Mikrowellenfenster

Bedienelemente

Pos. in Abb. 2 , Seite 3	Erklärung
1	Display zur Anzeige der Garzeit, Leistung und aktuellen Zeit
2	POWER Auswählen der gewünschten Mikrowellenleistung 100P, 80P, 60P, 40P, 20P
3	EXPRESS Auswählen der Betriebsart EXPRESS: 0:30, 1:00 oder 1:30
4	COOK Auswählen der Betriebsart COOK
5	DEFROST Auswählen der Betriebsart DEFROST zum Auftauen gefrorener Lebensmittel
6	CLOCK Einstellen der Uhrzeit
7	PRESET Einstellen des Timers
8	INSTANT/ START Starten oder Stoppen des aktuellen Gar- oder Auftauprogramms
9	PAUSE/ CANCEL Abbruch während Einstellungen Im Betrieb: 1 x drücken: Betrieb pausieren, 2 x drücken: Betrieb beenden

Pos. in Abb. 2, Seite 3		Erklärung
10	–	Einstellen der Garzeit Im Betrieb: Verringern der Garzeit oder des Gewichts während des Betriebs
11	+	Einstellen der Garzeit Im Betrieb: Erhöhen der Garzeit oder des Gewichts während des Betriebs
12		Türöffner

6 Mikrowelle anschließen und einstellen

6.1 Mikrowelle aufstellen

Beachten Sie beim Aufstellen folgende Hinweise:

- Stellen Sie sicher, dass alle Verpackungsmaterialien von der Innenseite der Tür entfernt sind.
- Überprüfen Sie das Mikrowellengerät auf Schäden wie eine falsch ausgerichtete oder verbogene Tür, beschädigte Türdichtungen und Dichtflächen, gebrochene oder lose Türscharniere und Verriegelungen und Dellen im Inneren des Hohlraums oder an der Tür. Wenn Sie einen Schaden feststellen, nehmen Sie das Mikrowellengerät nicht in Betrieb und wenden Sie sich an qualifiziertes Servicepersonal.
- Das Mikrowellengerät muss auf einer ebenen, stabilen Fläche aufgestellt werden, um ihr Eigengewicht und schwerstmögliche Nahrungsmittel halten zu können.
- Stellen Sie das Mikrowellengerät in einer Höhe von mindestens 85 cm über dem Boden auf.
- Stellen Sie das Mikrowellengerät nicht in der Nähe von Hitze, Feuchtigkeit, hoher Luftfeuchtigkeit oder in der Nähe von brennbaren Materialien auf.
- Für den ordnungsgemäßen Betrieb benötigt das Mikrowellengerät eine ausreichende Luftzufuhr. Halten Sie einen ausreichenden Abstand (ca. 5 cm) zu den Außenwänden ein, um den Wärmeaustausch zu gewährleisten. Decken Sie Öffnungen am Mikrowellengerät nicht ab oder blockieren Sie diese. Die Füße dürfen nicht entfernt werden.

- Stellen Sie sicher, dass das Anschlusskabel unbeschädigt ist und nicht unter dem Mikrowellengerät oder über einer heißen oder scharfen Oberfläche verläuft.
- Verwenden Sie das Mikrowellengerät nicht im Freien.

6.2 Mikrowelle an die Stromversorgung anschließen

- ▶ Schließen Sie den Stecker für die Stromversorgung ans Wechselstromnetz an.
- ✓ Das Display blinkt dreimal und zeigt „--:--“ an.

6.3 Uhrzeit einstellen

- ▶ Drücken Sie die Taste **CLOCK**, um die Uhrzeit einzustellen.
- ✓ Das Display zeigt 00:00 an.
- ▶ Drücken Sie die Tasten **+** oder **-**, um die Stunden einzustellen.
- ▶ Drücken Sie die Taste **CLOCK**.
- ▶ Drücken Sie die Tasten **+** oder **-**, um die Minuten einzustellen.
- ▶ Drücken Sie die Taste **CLOCK** erneut oder warten Sie 5 Sekunden, um die Uhrzeit zu speichern.

7 Mikrowelle bedienen



HINWEIS

Bei dem neuen Mikrowellengerät kann es bei aufgrund von Produktionsrückständen zu einer Geruchsbildung kommen. Lüften Sie den Wohnraum bei den ersten Verwendungen des Mikrowellengerätes gut durch. Es ist zu empfehlen, mehrmals eine Tasse Wasser in den Garraum zu stellen und bei hoher Leistung zu erhitzen, um die Geruchsbildung zu beseitigen.

7.1 Informationen zum Garen von Lebensmitteln

- Ordnen Sie die Lebensmittel sorgfältig an. Platzieren Sie die dicksten Bereiche nach außen.
- Beachten Sie die Garzeit. Garen Sie für die kürzest angegebene Zeit und erhöhen Sie diese, falls nötig. Übergarte Lebensmittel können qualmen oder sich entzünden.

- Decken Sie Lebensmittel beim Garen ab. Abdeckungen verhindern Spritzen und sorgen für ein gleichmäßiges Garen.
- Wenden Sie Lebensmittel wie Hähnchen oder Hamburger einmal während des Garprozesses. Große Lebensmittel wie Braten müssen mindestens einmal gewendet werden.
- Ordnen Sie Lebensmittel wie Fleischbällchen nach der Hälfte der Zeit von oben nach unten und von der Mitte nach außen um.

7.2 Informationen zum Kochgeschirr

- Das ideale Material für ein Mikrowellengerät ist durchlässig für Mikrowellen, sodass die Energie durch den Behälter dringen und das Lebensmittel erhitzen kann.
- Mikrowellen können Metall nicht durchdringen, sodass Metallgeschirr oder Geschirr mit Metallrand nicht verwendet werden sollte.
- Verwenden Sie keine Recycling-Papier-Produkte für das Garen im Mikrowellengerät, da sie kleine Metallfragmente enthalten können, die Funken und/oder Brände verursachen können.
- Rundes/ovales Geschirr ist besser geeignet als quadratisches/ längliches Geschirr, da Lebensmittel in den Ecken des Geschirrs überhitzen kann.

Die folgende Liste dient als Richtlinie für geeignetes Geschirr:

Kochgeschirr	mikrowellengeeignet
hitzebeständiges Glas	Ja
nicht hitzebeständiges Glas	Nein
hitzebeständige Keramik	Ja
mikrowellengeeignetes Plastikgeschirr	Ja
Frischhaltefolie	Ja (nur bei niedriger Leistung)
Metallschalen	Nein
Metallgestelle	Nein
Aluminiumfolie und Aluminiumfolienbehälter	Nein
Bambusgeschirr	Nein
Pappgeschirr	Nein

7.3 Garen



HINWEIS

- Sie können eine maximale Garzeit von 60 Minuten einstellen.
- Sie können die Mikrowellenleistung und die Garzeit in beliebiger Reihenfolge einstellen (z. B. zuerst die Garzeit und dann die Mikrowellenleistung oder umgekehrt).
- Bei maximaler Mikrowellenleistung senkt das Gerät nach einiger Zeit die Leistung, um die Lebensdauer des Mikrowellengerätes zu verlängern.
- Stechen Sie Lebensmittel mit harten Schalen wie Kartoffeln, ganze Kürbisse, Äpfel und Kastanien vor dem Erhitzen ein.

- Geben Sie das Lebensmittel in das Mikrowellengerät und schließen Sie die Tür.
- Drücken Sie ggf. wiederholt die Taste **POWER**, um die gewünschte Mikrowellenleistung zu wählen:

100P	100 % Mikrowellenleistung; schnelles Erhitzen von Lebensmitteln
80P	80 % Mikrowellenleistung; Erhitzen Lebensmittel
60P	60 % Mikrowellenleistung; Dünsten von Lebensmitteln
40P	40 % Mikrowellenleistung; Auftauen von Lebensmitteln
20P	20 % Mikrowellenleistung; Warmhalten von Lebensmitteln

- Drücken Sie die Tasten **+** oder **-**, um die Garzeit einzustellen.
- Drücken Sie die Taste **INSTANT/START**.
- ✓ Nach Ablauf der eingestellten Garzeit zeigt das Display „End“ an. Es ertönt dreimal hintereinander ein Signalton, sofern Sie die Tür des Mikrowellengeräts noch nicht geöffnet haben.



WARNUNG! Verbrennungsgefahr durch erhitzte Lebensmittel!

Verwenden Sie geeignete Topflappen, um erhitzte Lebensmittel aus dem Mikrowellengerät zu entnehmen.

- Öffnen Sie die Tür und entnehmen Sie das erhitzte Lebensmittel.



HINWEIS

Der Signalton wird solange alle drei Minuten wiederholt, bis Sie die Tür geöffnet haben.

Öffnen der Tür während des Garens

Beim Öffnen der Tür wird der Garvorgang unterbrochen. Das Display zeigt die Restzeit an.

Setzen Sie den Garvorgang wie folgt fort:

- Schließen Sie die Tür.
- Drücken Sie die Taste **INSTANT/START**.

7.4 Flüssigkeiten erhitzen (Betriebsart EXPRESS)

- Geben Sie das Lebensmittel in das Mikrowellengerät und schließen Sie die Tür.
- Drücken Sie ggf. wiederholt die Taste **EXPRESS**, um die gewünschte Garzeit 0:30, 1:00 oder 1:30 zu wählen.
- Drücken Sie die Taste **INSTANT/START**.
- ✓ Nach Ablauf der eingestellten Garzeit zeigt das Display „End“ an. Es ertönt dreimal hintereinander ein Signalton, sofern Sie die Tür des Mikrowellengeräts noch nicht geöffnet haben.



WARNUNG! Verbrennungsgefahr durch erhitzte Lebensmittel!

Verwenden Sie geeignete Topflappen, um erhitzte Lebensmittel aus dem Mikrowellengerät zu entnehmen.

- Öffnen Sie die Tür und entnehmen Sie das erhitzte Lebensmittel.



HINWEIS

Der Signalton wird solange alle drei Minuten wiederholt, bis Sie die Tür geöffnet haben.

7.5 Auftauen (Betriebsart DEFROST)

- Geben Sie das Lebensmittel in das Mikrowellengerät und schließen Sie die Tür.
- Drücken Sie die Taste **DEFROST** und geben Sie gemäß nachfolgender Tabelle die Art des Lebensmittels ein:

- | | |
|-----|------------------------------------|
| d.1 | Fleisch auftauen (0,1 bis 2,0 kg) |
| d.2 | Geflügel auftauen (0,2 bis 3,0 kg) |
| d.3 | Fisch auftauen (0,1 bis 0,9 kg) |

- Drücken Sie die Tasten **+** oder **-**, um das Gewicht einzustellen.
- Drücken Sie die Taste **INSTANT/START**, um das Auftauprogramm zu starten.
- ✓ Nach Beendigung des Auftauprogramms zeigt das Display „End“ an und es ertönt dreimal hintereinander ein Signalton.



HINWEIS

Die angegebenen Auftauzeiten sind Richtwerte. Die tatsächlich benötigte Auftauzeit hängt von der Art sowie vom Wassergehalt des Lebensmittels (Fleisch, Fisch, Gemüse, Obst, Brot, etc.) ab. Je höher der Wassergehalt im Lebensmittel ist, desto mehr Zeit wird für das Auftauen benötigt. Um die Wärme gleichmäßig zu verteilen, wenden Sie das Lebensmittel während des Auftauvorgangs bzw. drehen Sie es um.

7.6 Bestimmte Gerichte erhitzen (Betriebsart COOK)

- Geben Sie das Lebensmittel in das Mikrowellengerät und schließen Sie die Tür.
- Drücken Sie ggf. wiederholt die Taste **COOK**, um das gewünschte Gericht zu wählen:

A.1	Popcorn 85 g	Für eine Packung handelsübliches Microwellen-Popcorn mit Packungsgröße 85 g. Drücken Sie die Taste PAUSE/ CANCEL, wenn nur noch 1 Popcorn pro 1 bis 2 Sekunden aufpoppt.
A.2	Popcorn 100 g	Wie A.1, für Packungsgröße 100 g.
A.3	Pizza	1 Stück Tiefkühlpizza (0,15 kg) aufwärmen.
A.4	Getränke 250 ml	Für eine Tasse mit 250 ml Flüssigkeit mit einer Temperatur von ca. 5 bis 10 °C. Verwenden Sie eine breite Tasse. Decken Sie die Tasse nicht ab.
A.5	Getränke 500 ml	Wie A.4, für eine Tasse mit 500 ml Flüssigkeit.
A.6	Kartoffel	Kartoffelstreifen (geschnitten zu 5 mm breiten Stücken) garen. Für eine Masse von 0,45 kg. Breiten Sie die Streifen auf einem großen Teller aus. Decken Sie die Kartoffeln mit einer geeigneten Frischhaltefolie ab, um ein Austrocknen zu verhindern.
A.7	Kartoffel	Wie A.6, für eine Masse von 0,65 kg.

A.8	Fisch	Für schonendes Garen von Fisch. Für eine Masse von 0,45 kg. Schlitzen Sie den vorbereiteten Fisch ein. Legen Sie den Fisch auf einen großen Teller, würzen Sie den Fisch und decken Sie den Fisch mit einer geeigneten Frischhaltefolie ab, um ein Austrocknen zu verhindern. Lassen Sie den Fisch nach dem Garprozess 2 Minuten lang ruhen.
-----	-------	--

- Drücken Sie die Taste **INSTANT/START**.
- ✓ Nach Ablauf der eingestellten Garzeit zeigt das Display „End“ an. Es ertönt dreimal hintereinander ein Signalton, sofern Sie die Tür des Mikrowellengeräts noch nicht geöffnet haben.



WARNUNG! Verbrennungsgefahr durch erhitzte Lebensmittel!

Verwenden Sie geeignete Topflappen, um erhitzte Lebensmittel aus dem Mikrowellengerät zu entnehmen.



HINWEIS

Die angegebenen automatischen Kochprogramme beruhen auf Richtwerten. Die tatsächlich benötigte Kochzeit hängt von der Temperatur, der Art sowie vom Gewicht des Lebensmittels ab. Sie können die Mikrowellenleistung und Garzeit mehrstufig an Ihre Bedürfnisse anpassen (siehe Kapitel „Mehrstufiges Garprogramm einstellen“ auf Seite 31).

- Öffnen Sie die Tür und entnehmen Sie das erhitzte Lebensmittel.



HINWEIS

Der Signalton wird solange alle drei Minuten wiederholt, bis Sie die Tür geöffnet haben.

7.7 Mehrstufiges Garprogramm einstellen

Sie können die Mikrowellenleistung und Garzeit in bis zu 4 Stufen an Ihre Bedürfnisse anpassen.

Beispiel für ein 2-stufiges Garprogramm: Sie möchten ein Gericht zuerst 3 Minuten lang bei 100P garen und danach 9 Minuten lang bei 20P.

- Geben Sie das Lebensmittel in das Mikrowellengerät und schließen Sie die Tür.
- Drücken Sie ggf. wiederholt die Taste **POWER**, bis die gewünschte Mikrowellenleistung 100P gewählt ist.
- Drücken Sie die Tasten **+** oder **-**, um die Garzeit 3:00 einzustellen.

- ▶ Drücken Sie ggf. wiederholt die Taste **POWER**, bis die gewünschte Mikrowellenleistung 20P gewählt ist.
- ▶ Drücken Sie die Tasten **+** oder **-**, um die Garzeit 9:00 einzustellen.
- ▶ Drücken Sie die Taste **INSTANT/START**.

7.8 Timer programmieren

Mit der Timerfunktion können Sie einen gewünschten Zeitpunkt zum Start des Mikrowellenbetriebs einstellen.

Beispiel für die Einstellung der Timerfunktion: Es ist 12:30 Uhr. Sie möchten um 14:30 Uhr ein Gericht 3 Minuten lang bei 100P garen.

- ▶ Geben Sie das Lebensmittel in das Mikrowellengerät und schließen Sie die Tür.
- ▶ Drücken Sie die Taste **CLOCK**, um die Uhrzeit einzustellen.
- ✓ Das Display zeigt 00:00 an.
- ▶ Drücken Sie die Tasten **+** oder **-**, um die Stunden auf 12:00 einzustellen.
- ▶ Drücken Sie die Taste **CLOCK**.
- ▶ Drücken Sie die Tasten **+** oder **-**, um die Minuten auf 12:30 einzustellen.
- ▶ Drücken Sie die Taste **CLOCK** erneut.
- ▶ Drücken Sie ggf. wiederholt die Taste **POWER**, bis die gewünschte Mikrowellenleistung 100P gewählt ist.
- ▶ Drücken Sie die Tasten **+** oder **-**, um die Garzeit 3:00 einzustellen.
- ▶ Drücken Sie die Taste **PRESET**, um den Timer einzustellen.
- ▶ Drücken Sie die Tasten **+** oder **-**, um die Stunden auf 14:00 einzustellen.
- ▶ Drücken Sie die Taste **PRESET**.
- ▶ Drücken Sie die Tasten **+** oder **-**, um die Minuten auf 14:30 einzustellen.
- ▶ Drücken Sie die Taste **PRESET** erneut, um den Timer zu speichern.
- ✓ Das Mikrowellengerät startet um die eingestellte Uhrzeit.

Sie können die Timerfunktion prüfen, indem Sie die Taste **PRESET** drücken. Das Display zeigt die voreinstellte Startzeit an.

7.9 Tasten sperren

Als Kindersicherung können Sie eine Tastensperre einstellen.

- ▶ Um die Tastensperre zu aktivieren, halten Sie die Taste **PAUSE/CANCEL** 3 Sekunden lang gedrückt.
- ▶ Um die Tastensperre zu deaktivieren, halten Sie die Taste **PAUSE/CANCEL** 3 Sekunden lang gedrückt.

8 Reinigung und Pflege

- Schalten Sie das Gerät aus und ziehen Sie den Netzstecker, bevor Sie es reinigen.
- Verwenden Sie zum Reinigen des Geräts keine Scheuermittel.
- Halten Sie das Innere des Mikrowellengeräts sauber. Wenn das Essen spritzt oder verschüttete Flüssigkeiten an den Wänden des Mikrowellengeräts haften, wischen Sie diese mit einem feuchten Tuch sauber. Verwenden Sie ein mildes Reinigungsmittel, wenn das Mikrowellengerät sehr schmutzig ist. Vermeiden Sie den Einsatz von Spray und anderen scharfen Reinigungsmitteln, da sie Flecken, Streifen oder stumpfe Oberflächen an der Tür verursachen können.
- Die Außenflächen sollten mit einem feuchten Tuch gereinigt werden. Um eine Beschädigung der Betriebsteile im Inneren des Mikrowellengeräts zu verhindern, darf das Wasser nicht direkt in die Lüftungsöffnungen eindringen.
- Wischen Sie die Tür, die Türdichtungen und angrenzende Teile regelmäßig mit einem feuchten Tuch, um Verschmutzungen oder Spritzer zu entfernen.
- Lassen Sie das Bedienfeld nicht nass werden. Reinigen Sie es mit einem weichen, feuchten Tuch. Lassen Sie die Tür geöffnet, um das Mikrowellengerät nicht versehentlich einzuschalten.
- Wenn Feuchtigkeit sich innerhalb oder um die Außenseite der Tür sammelt, wischen Sie diese mit einem weichen Tuch trocken. Dies kann auftreten, wenn das Mikrowellengerät unter hohen Feuchtigkeitsbedingungen betrieben wird und ist normal.
- Gerüche im Mikrowellengerät können durch eine Tasse Wasser und Zitronensaft und -schale entfernt werden. Füllen Sie dies in ein tiefes, mikrowellengeeignetes Gefäß und schalten Sie das Mikrowellengerät für 5 Minuten ein. Wischen Sie es gründlich und mit einem weichen Tuch trocken.
- Lassen Sie eine defekte Mikrowellenlampe von einem Fachhändler ersetzen.

- Das Mikrowellengerät sollte regelmäßig gereinigt und alle Lebensmittelreste entfernt werden. Wird das Gerät nicht in einem sauberen Zustand gehalten, kann dies die Oberfläche beeinträchtigen und die Lebensdauer des Gerätes verkürzen.

9 Störungen beseitigen

Fehler	Abhilfe
Das Mikrowellengerät funktioniert nicht.	Stellen Sie sicher, dass das Mikrowellengerät korrekt angeschlossen ist. Wenn es nicht korrekt angeschlossen ist, ziehen Sie den Stecker, warten Sie 10 Sekunden, und schließen Sie das Mikrowellengerät korrekt an.
	Prüfen Sie, ob eine Sicherung durchgebrannt ist oder ein Schutzschalter ausgelöst wurde. Wenn diese ordnungsgemäß funktionieren, testen Sie die Steckdose mit einem anderen Gerät.
	Stellen Sie sicher, dass das Mikrowellengerät und die Garzeit richtig eingestellt sind.
	Prüfen Sie, ob die Tür richtig geschlossen ist. Andernfalls gelangen die Mikrowellen nicht in den Innenraum des Mikrowellengeräts.

10 Gewährleistung

Es gilt die gesetzliche Gewährleistungsfrist. Sollte das Produkt defekt sein, wenden Sie sich bitte an die Niederlassung des Herstellers in Ihrem Land (Adressen siehe Rückseite der Anleitung) oder an Ihren Fachhändler.

Zur Reparatur- bzw. Gewährleistungsbearbeitung müssen Sie folgende Unterlagen mitschicken:

- eine Kopie der Rechnung mit Kaufdatum,
- einen Reklamationsgrund oder eine Fehlerbeschreibung.

11 Entsorgung

- Geben Sie das Verpackungsmaterial möglichst in den entsprechenden Recycling-Müll.



Wenn Sie das Produkt endgültig außer Betrieb nehmen, informieren Sie sich bitte beim nächsten Recyclingcenter oder bei Ihrem Fachhändler über die zutreffenden Entsorgungsvorschriften.

12 Technische Daten

	MWO240
Artikel-Nr.:	9600008377
Nennspannung:	230 V $\overline{=}$, 50 Hz
Mikrowellenleistung:	700 W
Mikrowellenfrequenz:	2450 MHz
Abmessungen außen H x B x T:	283 x 451 x 353 mm
Abmessungen Innenraum H x B x T:	181,5 x 303 x 321 mm
Fassungsvermögen:	17 Liter
Gewicht:	11,5 kg

Veillez lire ce manuel attentivement avant de mettre l'appareil en service et conservez-le. En cas de passer le produit, veuillez le transmettre au nouvel acquéreur.

Sommaire

1	Signification des symboles	36
2	Consignes de sécurité	37
3	Contenu de l'emballage	39
4	Usage conforme	40
5	Description technique	40
6	Branchement et réglage du four à micro-ondes	42
7	Utilisation du four à micro-ondes	43
8	Nettoyage et entretien	50
9	Guide de dépannage	51
10	Garantie	51
11	Mise au rebut	52
12	Caractéristiques techniques	52

1 Signification des symboles



AVERTISSEMENT !

Consigne de sécurité : le non-respect de ces consignes peut entraîner la mort ou de graves blessures.



ATTENTION !

Consigne de sécurité : le non-respect de ces consignes peut entraîner des blessures.



AVIS !

Le non-respect de ces consignes peut entraîner des dommages matériels et des dysfonctionnements du produit.

**REMARQUE**

Informations complémentaires sur l'utilisation du produit.

2 Consignes de sécurité

**AVERTISSEMENT !**

- Utilisez uniquement cet appareil conformément aux consignes d'utilisation fournies dans ce mode d'emploi.
- N'utilisez aucun produit chimique corrosif à l'intérieur de l'appareil.
- N'utilisez pas l'appareil lorsqu'il est vide.
- N'utilisez pas cet appareil si
 - les câbles ou connecteurs sont endommagés ;
 - il ne fonctionne pas correctement ;
 - il a été endommagé ou a subi une chute.
- Si le câble de raccordement au secteur est endommagé, il doit être remplacé par le fabricant, son service client ou une personne qualifiée afin d'éviter tout risque de sécurité.
- Les enfants âgés de 8 ans et plus, ainsi que les personnes souffrant de déficiences physiques, sensorielles ou mentales, ou encore manquant d'expérience ou de connaissances peuvent utiliser ce produit sous réserve d'être sous surveillance ou d'avoir reçu des instructions concernant l'utilisation sécurisée de l'appareil et d'avoir conscience des risques en résultant.
- Le nettoyage et la maintenance ne doivent pas être effectués par des enfants sans surveillance.
- Cet appareil ne doit pas être utilisé par les personnes (y compris les enfants) souffrant de déficiences physiques, sensorielles ou mentales ou manquant d'expérience ou de connaissances, sauf si une personne garante de leur sécurité les surveille ou leur fournit toutes les instructions adéquates concernant son utilisation.
- Les enfants doivent être surveillés pour garantir qu'ils ne jouent pas avec l'appareil.
- Placez et utilisez l'appareil hors de portée des enfants de moins de 8 ans.

- Afin de réduire les risques d'incendie à l'intérieur du four à micro-ondes :
 - Veillez à ce que les aliments conditionnés dans des récipients en plastique ou en papier ne prennent pas feu lors de la cuisson ;
 - Retirez les fils des sacs en papier ou en plastique micro-ondables avant de les placer dans le four à micro-ondes ;
 - En cas d'émanation de fumée, mettez l'appareil hors tension et débranchez-le de la prise secteur ; Maintenez la porte fermée pour étouffer les flammes éventuelles ;
 - Ne stockez rien à l'intérieur de l'appareil. Ne laissez pas de produits en papier, d'ustensiles de cuisine ou d'aliments dans le four à micro-ondes lorsque vous ne l'utilisez pas.
- Veillez à ce que les plats utilisés soient compatibles avec les fours à micro-ondes.
- Le four à micro-ondes doit uniquement être réparé par des personnes qualifiées. Toute opération de maintenance ou de réparation impliquant le retrait des panneaux protecteurs par des personnes non qualifiées présente un risque de sécurité, car ces éléments offrent une protection contre l'énergie micro-onde.

**ATTENTION !**

- Les liquides ou produits alimentaires ne doivent pas être réchauffés dans des récipients fermés, car ceux-ci présentent un risque d'explosion.
- Le réchauffage de boissons présente un risque d'éclaboussures verticales soudaines, manipulez donc le récipient avec précaution.
- Ne faites pas frire d'aliments dans le four à micro-ondes. L'huile bouillante peut endommager certains éléments et ustensiles du four et provoquer des brûlures cutanées.
- Ne réchauffez pas les œufs frais ou les œufs durs dans le four à micro-ondes, car ils peuvent exploser après réchauffage.
- Pour éviter toute brûlure, remuez ou secouez les biberons ou les verres pour bébés et contrôlez la température de leur contenu avant consommation.
- Les ustensiles de cuisine peuvent devenir très chauds en raison de la chaleur transférée par la nourriture chauffée. Des maniques peuvent être nécessaires pour utiliser cet appareil.

- Risque de brûlure ! Toutes les surfaces, y compris la porte de l'appareil, peuvent chauffer lors de son utilisation. Veillez à ce que les enfants en bas âge ne s'approchent pas de l'appareil. Les éléments de cuisson situés à l'intérieur de l'appareil peuvent rester chauds après son utilisation. Ne touchez pas les éléments de cuisson situés à l'intérieur de l'appareil.
- N'utilisez pas le four à micro-ondes lorsque la porte est ouverte, car cela présente des risques d'exposition dangereuse à l'énergie micro-ondes. Ne retirez et ne modifiez en aucun cas les dispositifs de protection.
- Ne placez aucun objet entre la façade du four à micro-ondes et la porte.
- Éliminez tout résidu de produit de nettoyage accumulé sur les surfaces d'étanchéité.
- N'utilisez pas l'appareil s'il est endommagé. La porte du micro-ondes doit impérativement se fermer correctement, afin de ne pas endommager :
 - la porte (déformation) ;
 - les charnières et loquets (rupture ou de desserrage) ;
 - les joints de la porte et les surfaces d'étanchéité.
- N'utilisez pas le four à micro-ondes lorsque vous conduisez.
- N'utilisez pas le four à micro-ondes comme espace de stockage supplémentaire (p. ex. pour les vêtements).

**AVIS !**

- Vérifiez que la tension indiquée sur la plaque signalétique correspond à l'alimentation électrique dont vous disposez.

3 Contenu de l'emballage

- Four à micro-ondes
- Mode d'emploi

4 Usage conforme

Le four à micro-ondes est adapté à une installation dans les caravanes et camping-cars. Il convient à la décongélation et au chauffage des aliments pendant de courtes périodes allant jusqu'à 60 minutes. Ce type de four à micro-ondes est spécialement conçu pour le chauffage ou la cuisson. Il ne convient pas à une utilisation industrielle ou en laboratoire.

Le four à micro-ondes est conçu pour être raccordé à une prise secteur CA.

5 Description technique

Le four à micro-ondes est équipé des composants et éléments de commande suivants :

Composants

Élément de la fig. 1 , page 3	Description
1	Panneau de commande
2	Dispositif d'ouverture de la porte
3	Plaque céramique
4	Dispositif de verrouillage de la porte
5	Fenêtre du four à micro-ondes

Éléments de commande

Élément de la fig. 2 , page 3	Description
1	Écran pour l'affichage du temps de cuisson, de la puissance et de l'heure
2	POWER (PUIS-SANCE) Sélectionner la puissance micro-ondes souhaitée : 100P, 80P, 60P, 40P et 20P
3	EXPRESS Sélectionner le mode de fonctionnement EXPRESS : 0:30, 1:00 ou 1:30
4	COOK (CUISSON) Sélectionner le mode de fonctionnement COOK (CUISSON)

Élément de la fig. 2, page 3		Description
5	DEFROST (DÉCONGÉLATION)	Sélectionner le mode de fonctionnement DEFROST (DÉCONGÉLATION) pour décongeler des aliments
6	CLOCK (HORLOGE)	Régler l'heure
7	PRESET (PRÉRÉGLAGE)	Régler le minuteur
8	INSTANT/START (INSTANTANÉ/DÉMARRAGE)	Lancer ou interrompre le programme de cuisson ou de décongélation en cours
9	PAUSE/CANCEL (SUSPENDRE/ANNULER)	Annuler le réglage actuel Lors du fonctionnement de l'appareil : appuyer une fois pour suspendre le programme en cours ; appuyer deux fois pour annuler le programme en cours.
10	-	Régler le temps de cuisson Lors du fonctionnement de l'appareil : réduire le temps de cuisson ou le poids défini.
11	+	Régler le temps de cuisson Lors du fonctionnement de l'appareil : augmenter le temps de cuisson ou le poids défini.
12		Dispositif d'ouverture de la porte

6 Branchement et réglage du four à micro-ondes

6.1 Installation du four à micro-ondes

Veillez respecter les consignes suivantes lors de l'installation :

- Veillez à retirer tous les matériaux d'emballage situés à l'intérieur de la porte.
- Assurez-vous que l'appareil ne présente aucun des dommages ou défauts suivants : porte tordue ou désaxée ; joints de porte ou surfaces d'étanchéité endommagées ; rupture ou jeu des charnières et loquets de verrouillage ; bosses ou déformations à l'intérieur ou au niveau de la porte. Si vous constatez un dommage ou un défaut, n'utilisez pas l'appareil et contactez le service de réparation qualifié.
- Placez l'appareil sur une surface plane et stable capable de supporter son poids et les aliments les plus lourds.
- Placez le four à micro-ondes à environ 85 cm au-dessus de sol.
- Ne placez pas le four à micro-ondes à proximité d'une source de chaleur/d'humidité élevée ou de matériaux inflammables.
- L'alimentation de l'appareil en air est primordiale pour une exploitation correcte. Maintenez une distance suffisante (environ 5 cm) par rapport aux parois extérieures, afin d'assurer l'échange de chaleur. Ne couvrez pas les ouvertures du four à micro-ondes et ne les bloquez pas. Ne retirez pas les pieds de l'appareil.
- Vérifiez que le câble de raccordement au secteur n'est pas endommagé et qu'il ne passe pas sous l'appareil ou encore sur une surface chaude ou coupante.
- N'utilisez pas le four à micro-ondes en plein air.

6.2 Branchement du four à micro-ondes à la prise secteur

- ▶ Branchez la prise d'alimentation du four à la prise secteur CA.
- ✓ L'écran clignote trois fois et affiche « - : - ».

6.3 Réglage de l'heure

- ▶ Appuyez sur le bouton **CLOCK (HORLOGE)** pour régler l'heure.
- ✓ L'écran affiche « 00:00 ».
- ▶ Appuyez sur le bouton **+** ou **-** pour régler les heures.
- ▶ Appuyez sur le bouton **CLOCK (HORLOGE)**.

- ▶ Appuyez sur le bouton **+** ou **-** pour régler les minutes.
- ▶ Appuyez sur le bouton **CLOCK (HORLOGE)** ou patientez pendant 5 secondes pour enregistrer l'heure.

7 Utilisation du four à micro-ondes



REMARQUE

Les résidus de production d'un four à micro-ondes neuf peuvent dégager des odeurs. Aérez votre cuisine après les premières utilisations du four à micro-ondes. Il est conseillé de faire chauffer plusieurs fois un bol d'eau à haute puissance pour éliminer les odeurs.

7.1 Informations relatives à la cuisson des aliments

- Positionnez soigneusement les aliments. Placez les parties les plus épaisses vers l'extérieur.
- Vérifiez soigneusement le temps de cuisson. Sélectionnez toujours le temps de cuisson le plus court indiqué, et augmentez-le si nécessaire. S'ils sont cuits de façon excessive, les aliments peuvent provoquer de la fumée ou prendre feu.
- Couvrez les aliments lors de la cuisson. Les couvercles évitent les éclaboussures et assurent une cuisson uniforme.
- Retournez les aliments de type poulet ou hamburger une fois pendant le processus de cuisson. Retournez au moins une fois les aliments de grande taille comme les rôtis.
- Une fois la moitié du temps écoulé, déplacez aliments tels que les boulettes de viande de haut en bas et du centre vers l'extérieur.

7.2 Informations relatives à la vaisselle

- Les matériaux perméables aux micro-ondes sont les mieux adaptés à cet appareil, car ils laissent passer les micro-ondes, permettant à l'énergie de pénétrer dans le récipient et de réchauffer les aliments.
- Les plats entièrement métalliques ou avec un rebord en métal ne doivent pas être utilisés, car les micro-ondes ne peuvent pas traverser le métal.
- N'utilisez pas de produits en papier recyclé lors de la cuisson dans le four à micro-ondes, car ils peuvent contenir des fragments métalliques pouvant provoquer des étincelles, voire des incendies.

- La vaisselle ronde/ovale est préférable à la vaisselle carrée/allongée ou géométrique, car les aliments peuvent surchauffer dans les coins.

La liste suivante répertorie les types de vaisselle compatibles :

Vaisselle	Compatibilité avec les micro-ondes
Verre résistant à la chaleur	Oui
Verre non résistant à la chaleur	Non
Céramique résistante à la chaleur	Oui
Vaisselle en plastique compatible avec les micro-ondes	Oui
Emballage plastique	Oui (uniquement à faible puissance)
Coupe métallique	Non
Armature métallique	Non
Feuille d'aluminium et récipient en feuille d'aluminium	Non
Vaisselle en bambou	Non
Vaisselle en carton	Non

7.3 Cuisson



REMARQUE

- Vous pouvez régler un temps de cuisson de 60 minutes maximum.
- Vous pouvez régler la puissance du four à micro-ondes et le temps de cuisson dans l'ordre souhaité (p. ex. d'abord le temps de cuisson, puis la puissance du four ou inversement).
- À pleine puissance, le four à micro-ondes réduit sa puissance après un certain temps pour optimiser sa durée de vie.
- Percez les aliments à peau dure, tels que les pommes de terre, les citrouilles entières, les pommes et les châtaignes avant de les réchauffer.

- Placez les aliments dans le four à micro-ondes et fermez la porte.
- Si nécessaire, appuyez plusieurs fois sur le bouton **POWER (PUISSANCE)** pour sélectionner la puissance souhaitée :

100P	Puissance micro-ondes à 100 % ; réchauffage rapide des aliments
80P	Puissance micro-ondes à 80 % ; réchauffage normal des aliments
60P	Puissance micro-ondes à 60 % ; réchauffage léger des aliments
40P	Puissance micro-ondes à 40 % ; décongélation des aliments
20P	Puissance micro-ondes à 20 % ; maintien au chaud des aliments

- Appuyez sur le bouton **+** ou **-** pour régler le temps de cuisson.
- Appuyez sur bouton **INSTANT/START (INSTANTANÉ/DÉMARRAGE)**.
- ✓ Une fois que le temps de cuisson réglé est écoulé, l'écran affiche « End » (Fin). Trois bips sonores consécutifs retentissent si vous n'avez pas encore ouvert la porte du four à micro-ondes.



AVERTISSEMENT ! Risque de brûlures en raison d'aliments chauffés !

Utilisez des maniques appropriées pour sortir les aliments chauffés du four à micro-ondes.

- Ouvrez la porte et retirez les aliments chauffés.



REMARQUE

Le bip sonore se répète toutes les trois minutes jusqu'à ce que vous ouvriez la porte.

Ouverture de la porte pendant la cuisson

L'ouverture de la porte interrompt le processus de cuisson. L'écran affiche le temps restant.

Poursuivez le processus de cuisson comme suit :

- Fermez la porte.
- Appuyez sur bouton **INSTANT/START (INSTANTANÉ/DÉMARRAGE)**.

7.4 Chauffage de liquides (mode de fonctionnement EXPRESS)

- Placez les aliments dans le four à micro-ondes et fermez la porte.
- Si nécessaire, appuyez plusieurs fois sur le bouton **EXPRESS** pour sélectionner le temps de cuisson souhaité : 0:30, 1:00 ou 1:30.
- Appuyez sur bouton **INSTANT/START (INSTANTANÉ/DÉMARRAGE)**.
- ✓ Une fois que le temps de cuisson réglé est écoulé, l'écran affiche « End » (Fin). Trois bips sonores consécutifs retentissent si vous n'avez pas encore ouvert la porte du four à micro-ondes.



AVERTISSEMENT ! Risque de brûlures en raison d'aliments chauffés !

Utilisez des maniques appropriées pour sortir les aliments chauffés du four à micro-ondes.

- Ouvrez la porte et retirez les aliments chauffés.



REMARQUE

Le bip sonore se répète toutes les trois minutes jusqu'à ce que vous ouvriez la porte.

7.5 Décongélation (mode de fonctionnement DEFROST [DÉCONGÉLATION])

- Placez les aliments dans le four à micro-ondes et fermez la porte.
 - Appuyez sur le bouton **DEFROST (DÉCONGÉLATION)**, puis insérez vos aliments en fonction du tableau suivant :
- | | |
|-----|---|
| d.1 | Décongélation de viande (0,1 à 2 kg) |
| d.2 | Décongélation de volaille (0,2 à 3 kg) |
| d.3 | Décongélation de poisson (0,1 à 0,9 kg) |
- Appuyez sur le bouton **+** ou **-** pour régler le poids.
 - Appuyez sur le bouton **INSTANT/START (INSTANTANÉ/DÉMARRAGE)** pour lancer le programme de décongélation.
 - ✓ À la fin du programme de décongélation, l'écran affiche « End » (Fin) et trois bips sonores consécutifs retentissent.



REMARQUE

Les temps de décongélation indiqués sont fournis à titre indicatif. Le temps de décongélation effectif nécessaire dépend du type et de la teneur en eau de l'aliment (viande, poisson, légumes, fruits, pain, etc.). Plus la teneur en eau d'un aliment est élevée, plus le temps de décongélation est long. Pour répartir la chaleur uniformément, retournez la nourriture pendant la décongélation.

7.6 Chauffage de plats spécifiques (mode de fonctionnement COOK [CUISSON])

- Placez les aliments dans le four à micro-ondes et fermez la porte.
- Si nécessaire, appuyez plusieurs fois sur le bouton **COOK (CUISSON)** pour sélectionner le plat souhaité :

A.1	Popcorn 85 g	Pour un sachet de popcorn micro-ondes standard de 85 g. Appuyez sur le bouton PAUSE/CANCEL (SUSPENDRE/ANNULER) lorsque seulement un grain de maïs éclate toutes les 1 à 2 secondes.
A.2	Popcorn 100 g	Identique à A.1 pour un sachet de 100 g.
A.3	Pizza	Réchauffer une part de pizza congelée (0,15 kg)
A.4	Boissons 250 ml	Pour une tasse contenant 250 ml de liquide à une température de 5 à 10 °C. Utilisez une grande tasse. Ne couvrez pas la tasse.
A.5	Boissons 500 ml	Identique à A.4 pour une tasse de 500 ml de liquide.
A.6	Pommes de terre	Pour cuire des pommes de terre coupées en tranches (de 5 mm de largeur). Pour 0,45 kg. Répartissez les tranches dans une grande assiette. Couvrez les tranches avec un film plastique approprié pour éviter qu'elles ne se dessèchent.
A.7	Pommes de terre	Identique à A.6 pour 0,65 kg.
A.8	Poisson	Pour cuire du poisson lentement. Pour 0,45 kg. Coupez des entailles dans le poisson préparé. Placez le poisson dans une grande assiette, puis assaisonnez-le et couvrez-le avec un film plastique approprié afin d'éviter qu'il ne se dessèche. Laissez reposer le poisson pendant 2 minutes après la cuisson.

- Appuyez sur bouton **INSTANT/START (INSTANTANÉ/DÉMARRAGE)**.

- ✓ Une fois que le temps de cuisson réglé est écoulé, l'écran affiche « End » (Fin). Trois bips sonores consécutifs retentissent si vous n'avez pas encore ouvert la porte du four à micro-ondes.



AVERTISSEMENT ! Risque de brûlures en raison d'aliments chauffés !

Utilisez des maniques appropriées pour sortir les aliments chauffés du four à micro-ondes.



REMARQUE

Les programmes de cuisson automatiques spécifiés sont fournis à titre indicatif. Le temps de cuisson effectif nécessaire dépend de la température, du type et du poids des aliments. Si nécessaire, vous pouvez régler la puissance et le temps de cuisson du four à micro-ondes en plusieurs étapes (voir le chapitre « Régler le programme de cuisson en plusieurs étapes », page 48).

- Ouvrez la porte et retirez les aliments chauffés.



REMARQUE

Le bip se répète toutes les trois minutes jusqu'à ce que vous ouvriez la porte.

7.7 Régler le programme de cuisson en plusieurs étapes

Si nécessaire, vous pouvez définir la puissance et le temps de cuisson du four à micro-ondes en un maximum de 4 étapes.

Exemple de programme de cuisson en 2 étapes : Vous souhaitez cuire un plat à une puissance de 100P pendant 3 minutes, puis de 20P pendant 9 minutes.

- Placez les aliments dans le four à micro-ondes et fermez la porte.
- Si nécessaire, appuyez plusieurs fois sur le bouton **POWER (PUISSANCE)** pour sélectionner le réglage de puissance 100P.
- Appuyez sur le bouton **+** ou **-** pour régler le temps de cuisson sur 3:00 (3 min).
- Si nécessaire, appuyez plusieurs fois sur le bouton **POWER (PUISSANCE)** pour sélectionner le réglage de puissance 20P.
- Appuyez sur le bouton **+** ou **-** pour régler le temps de cuisson sur 9:00 (9 min).
- Appuyez sur bouton **INSTANT/START (INSTANTANÉ/DÉMARRAGE)**.

7.8 Programmation du minuteur

Le minuteur vous permet de lancer le programme de cuisson du four à micro-ondes à l'heure souhaitée.

Exemple de réglage du minuteur : Il est 12h30. À 14h30, vous souhaitez cuire un plat à une puissance de 100P pendant 3 minutes.

- Placez les aliments dans le four à micro-ondes et fermez la porte.
- Appuyez sur le bouton **CLOCK (HORLOGE)** pour régler l'heure.
- ✓ L'écran affiche « 00:00 ».
- Appuyez sur le bouton **+** ou **-** pour régler les heures sur 12:00 pm (12h00).
- Appuyez sur le bouton **CLOCK (HORLOGE)**.
- Appuyez sur le bouton **+** ou **-** pour régler les minutes sur 12:30 pm (12h30).
- Appuyez à nouveau sur le bouton **CLOCK (HORLOGE)**.
- Si nécessaire, appuyez plusieurs fois sur le bouton **POWER (PUISSANCE)** pour sélectionner le réglage de puissance 100P.
- Appuyez sur le bouton **+** ou **-** pour régler le temps de cuisson sur 3:00 (3 min).
- Appuyez sur le bouton **PRESET (PRÉRÉGLAGE)** pour régler le minuteur.
- Appuyez sur le bouton **+** ou **-** pour régler l'heure sur 2:00 pm (14h00).
- Appuyez sur le bouton **PRESET (PRÉRÉGLAGE)**.
- Appuyez sur le bouton **+** ou **-** pour régler les minutes sur 14:30 pm (12h30).
- Appuyez à nouveau sur le bouton **PRESET (PRÉRÉGLAGE)** pour enregistrer le réglage du minuteur.
- ✓ Le four à micro-ondes lance le programme de cuisson à l'heure définie.

Vous pouvez consulter le minuteur en appuyant sur le bouton **PRESET (PRÉRÉGLAGE)**. L'écran affiche l'heure de démarrage du pré-réglage.

7.9 Verrouillage des boutons

Vous pouvez activer le verrouillage des boutons par mesure de sécurité.

- Pour activer le verrouillage des boutons, maintenez le bouton **PAUSE/CANCEL (SUSPENDRE/ANNULER)** enfoncé pendant 3 secondes.
- Pour désactiver le verrouillage des boutons, maintenez le bouton **PAUSE/CANCEL (SUSPENDRE/ANNULER)** enfoncé pendant 3 secondes.

8 Nettoyage et entretien

- Avant de nettoyer l'appareil, éteignez-le et débranchez la prise de raccordement au secteur.
- N'utilisez pas de produits abrasifs pour nettoyer l'appareil.
- Veillez à ce que l'intérieur de l'appareil reste propre. Nettoyez avec un chiffon humide toute éclaboussure ou tout résidu de liquide renversé qui adhère aux parois de l'appareil. Employez un nettoyant doux si l'appareil est particulièrement encrassé. N'utilisez pas de vaporisateur ou de nettoyant agressif susceptible de tacher, de rayer ou de détériorer les surfaces de la porte.
- Nettoyez les surfaces extérieures avec un chiffon humide. Veillez à ce que l'eau ne pénètre pas dans les orifices de ventilation, afin de ne pas endommager les composants internes de l'appareil.
- Essuyez régulièrement la porte, les joints de porte et les pièces voisines avec un chiffon humide afin d'éliminer les saletés ou les éclaboussures.
- Veillez à ne pas éclabousser ou mouiller le panneau de commande. Nettoyez-le avec un tissu doux et humide. Laissez la porte ouverte afin de ne pas allumer l'appareil par mégarde.
- Essuyez toute humidité accumulée à l'intérieur ou à l'extérieur de la porte avec un chiffon doux et sec. C'est un phénomène normal quand l'appareil est utilisé dans un environnement particulièrement humide.
- Il est possible d'éliminer les odeurs dans le four à micro-ondes à l'aide d'une tasse d'eau, de jus de citron et de peau de citron. Versez ces ingrédients dans un récipient micro-ondable profond et allumez le four à micro-ondes pendant 5 minutes. Nettoyez soigneusement l'appareil, puis séchez-le avec un chiffon doux.
- Si la lampe du four à micro-ondes est défectueuse, faites-la remplacer par un revendeur agréé.
- Nettoyez l'appareil régulièrement et éliminez tous les résidus d'aliments. Si l'appareil n'est pas propre, cela peut altérer la surface et occasionner une usure prématurée de l'appareil.

9 Guide de dépannage

Dysfonctionnement	Solution
Le four à micro-ondes ne fonctionne pas.	<p>Assurez-vous que l'appareil est correctement raccordé au secteur. Si l'appareil n'est pas correctement raccordé, débranchez la prise, attendez 10 secondes puis raccordez-le correctement.</p> <hr/> <p>Vérifiez qu'aucun fusible n'est endommagé et que le disjoncteur n'a pas été déclenché. Si tel est le cas, testez la prise avec un autre appareil.</p> <hr/> <p>Assurez-vous que le four à micro-ondes et le temps de cuisson sont correctement réglés.</p> <hr/> <p>Vérifiez que la porte est correctement fermée. Sinon, les micro-ondes ne parviendront pas à l'intérieur du four à micro-ondes.</p>

10 Garantie

Le délai légal de garantie s'applique. Si le produit s'avérait défectueux, veuillez vous adresser à la filiale du fabricant située dans votre pays (voir adresses au verso du présent manuel) ou à votre revendeur spécialisé.

Veuillez y joindre les documents suivants pour la gestion des réparations et de la garantie :

- une copie de la facture avec la date d'achat,
- le motif de la réclamation ou une description du dysfonctionnement.

11 Mise au rebut

- Jetez les emballages dans les conteneurs de déchets recyclables prévus à cet effet.



Lorsque vous mettrez votre produit définitivement hors service, informez-vous auprès du centre de recyclage le plus proche ou auprès de votre revendeur spécialisé sur les prescriptions relatives au retraitement des déchets.

12 Caractéristiques techniques

	MWO 240
N° d'article :	9600008377
Tension nominale :	230 V $\overline{=}$, 50 Hz
Puissance du four à micro-ondes :	700 W
Fréquence du four à micro-ondes :	2 450 MHz
Dimensions extérieures h x l x p :	283 x 451 x 353 mm
Dimensions intérieures h x l x p :	181,5 x 303 x 321 mm
Capacité :	17 litres
Poids :	11,5 kg

Antes de poner en funcionamiento el producto, lea atentamente estas instrucciones y consérvelas para futuras consultas. En caso de vender o entregar el producto a otra persona, entregue también estas instrucciones.

Índice

1	Explicación de los símbolos	53
2	Indicaciones de seguridad	54
3	Volumen de entrega	56
4	Uso adecuado	56
5	Descripción técnica	57
6	Conexión y ajustes	58
7	Funcionamiento del horno microondas	59
8	Limpieza y cuidado	65
9	Solución de averías	66
10	Garantía	67
11	Gestión de residuos	67
12	Datos técnicos	67

1 Explicación de los símbolos



¡ADVERTENCIA!

Indicación de seguridad: su incumplimiento puede acarrear la muerte o graves lesiones.



¡ATENCIÓN!

Indicación de seguridad: su incumplimiento puede acarrear lesiones.

**¡AVISO!**

Su incumplimiento puede acarrear daños materiales y perjudicar el correcto funcionamiento del producto.

**NOTA**

Información adicional para el manejo del producto.

2 Indicaciones de seguridad

**¡ADVERTENCIA!**

- Utilice este aparato solo para el uso previsto como se describe en las instrucciones.
- No utilice productos químicos corrosivos en este aparato.
- No use el aparato si está vacío.
- No ponga el aparato en funcionamiento:
 - si los cables o enchufes están dañados
 - si no funciona correctamente
 - si esta dañado ha sufrido una caída
- Si el cable de conexión está dañado, contacte con el fabricante, el servicio de atención al cliente o una persona cualificada para reemplazarlo y evitar así posibles peligros.
- Los niños mayores de 8 años y las personas de capacidad física, sensorial o mental disminuida, así como aquellas personas con falta de experiencia y conocimientos suficientes solo podrán utilizar este aparato bajo vigilancia o si han sido instruidos respecto al uso seguro del aparato y a los posibles peligros que pueden emanar de él.
- Las tareas de limpieza y mantenimiento de usuario no podrán efectuarse menores sin supervisión.
- Este aparato no está previsto para que lo usen personas (incluidos niños) con sus capacidades físicas, sensitivas o mentales limitadas o sin la experiencia y los conocimientos pertinentes, siempre u cuando no haya una persona responsable de la seguridad que supervise adecuadamente o explique detalladamente su uso.
- Asegúrese de que los niños no jueguen con el aparato.
- Mantenga y utilice el dispositivo fuera del alcance de los niños menores de 8 años.

- Para reducir el peligro de incendio dentro del microondas:
 - Al calentar alimentos en recipientes de plástico o papel, compruebe que el microondas no se incendie.
 - Retire los alambres del papel o bolsas de plástico para microondas antes de introducirlos en el horno.
 - En caso de que se forme humo, desconecte el aparato o desenchúfelo. Mantenga la puerta cerrada para sofocar las llamas que pueda haber.
 - No utilice el interior como almacén. No deposite productos de papel, utensilios de cocina o alimentos en el microondas cuando no lo esté usando.
- Debe comprobarse que la vajilla es adecuada para microondas.
- Solo personal cualificado está autorizado a reparar el microondas. Es peligroso para personas sin la formación pertinente realizar trabajos de reparación o puesta a punto que implique quitar cubiertas, ya que estas garantizan la protección contra la radiación por energía microondas.



¡ATENCIÓN!

- No está permitido calentar alimentos líquidos u otros alimentos en recipientes cerrados, ya que podrían explotar.
- Al calentar bebidas, se pueden producir salpicaduras retardadas repentinas. Por esta razón, manipule el recipiente con precaución.
- No ase alimentos en el microondas. El aceite caliente puede dañar partes del horno o utensilios y causar quemaduras en la piel.
- No deberían calentarse huevos con cáscara o huevos cocidos en el microondas, ya que pueden explotar una vez calentados.
- El contenido de biberones y potitos debe moverse o agitarse y comprobarse la temperatura antes de tomarlos para evitar quemaduras.
- Los utensilios de cocina pueden calentarse al transferirse el calor de los alimentos. Puede ser necesario utilizar paños de cocina.
- ¡Cuidado con las quemaduras! Todas las superficies, incluida la puerta del aparato, pueden calentarse durante el funcionamiento. Mantenga a los niños alejados del aparato. Los elementos térmicos del aparato pueden seguir calientes después de funcionar. No toque los elementos térmicos del aparato.
- No use el microondas con la puerta abierta porque se puede producir una acción nociva de las microondas. Los dispositivos de protección no deben ser puenteados ni manipulados.
- No sitúe objetos entre la superficie frontal del microondas y la puerta.

- Elimine los residuos de la limpieza que se puedan haber acumulado en las superficies de estanqueidad.
- No ponga en marcha el aparato si está dañado. Es especialmente importante que la puerta del microondas cierre correctamente y que no presenten daños
 - la puerta (torcida),
 - las bisagras y bloqueos (rotas o sueltas),
 - las juntas de las puertas y las superficies de junta.
- No utilice el microondas durante el trayecto.
- No utilice el microondas para guardar objetos (por ejemplo, ropa).

**¡AVISO!**

- Compruebe que la tensión indicada en la placa de características sea la misma que la del suministro de energía.

3 Volumen de entrega

- Microondas
- Instrucciones de uso

4 Uso adecuado

Este microondas está diseñado para ser instalado en caravanas y autocaravanas. Es apto para descongelar y calentar alimentos durante un tiempo no superior a 60 minutos. Esta clase horno microondas está diseñado especialmente para calentar o cocinar. No está pensado para usos en la industria o en laboratorios.

Este microondas está diseñado para funcionar conectado a una red de corriente alterna.

5 Descripción técnica

Este microondas tiene los siguientes componentes y elementos de control:

Componentes

Art. en fig. 1 , página 3	Explicación
1	Panel de control
2	Tecla de apertura de la puerta
3	Placa cerámica
4	Pestillos
5	Ventana del microondas

Elementos de mando

Art. en fig. 2 , página 3	Explicación
1	Pantalla para visualizar el tiempo de cocción, la potencia y el tiempo actual
2	POWER Seleccionar la potencia deseada: 100P, 80P, 60P, 40P, 20P
3	EXPRESS Seleccionar el modo de funcionamiento exprés: 0:30, 1:00 o 1:30
4	COOK Seleccionar el modo de funcionamiento para cocinar
5	DEFROST Seleccionar el modo de funcionamiento para descongelar alimentos
6	CLOCK Ajustar la hora
7	PRESET Ajustar el temporizador
8	INSTANT/ START Iniciar o parar el programa actual de cocción o de descongelación
9	PAUSE/ CANCEL Cancelar durante los ajustes Durante el funcionamiento: pulsar una vez para pausar, pulsar dos veces para detener

Art. en fig. 2, página 3		Explicación
10	-	Ajustar el tiempo de cocción Durante el funcionamiento: reducir el tiempo de cocción o el peso
11	+	Ajustar el tiempo de cocción Durante el funcionamiento: aumentar el tiempo de cocción o el peso
12		Tecla de apertura de la puerta

6 Conexión y ajustes

6.1 Ajustes del microondas

Tenga en cuenta las siguientes indicaciones de montaje:

- Asegúrese de retirar los materiales de embalaje de la cara interna de la puerta.
- Compruebe que el microondas no presenta daños como la puerta mal colocada o torcida, las juntas de la puerta y superficies de junta dañadas, las bisagras y bloques rotos o sueltos o abolladuras en el interior de la cavidad o en la puerta. Si encontrase daños, no ponga en marcha el microondas y consulte a técnicos de servicio.
- El microondas debe colocarse sobre una superficie plana y estable que pueda soportar su peso y el de los alimentos más pesados posibles.
- Sitúe el microondas a una distancia del suelo mínima de 85 cm.
- No coloque el microondas en áreas con calor, humedad, alta humedad del aire o cerca de materiales inflamables.
- El microondas requiere para su uso correcto una ventilación suficiente. Mantenga una distancia suficiente (unos 5 cm) respecto a las paredes exteriores para garantizar un intercambio de calor. No tape las aberturas del microondas ni las bloquee. No retire las patas.
- Asegúrese de que el cable de conexión no presenta daños y que no pasa por debajo del microondas ni sobre una superficie caliente o afilada.
- No use el microondas al aire libre.

6.2 Conexión a la red de suministro eléctrico

- ▶ Conecte la clavija de alimentación a la red de corriente alterna.
- ✓ La pantalla parpadea tres veces y muestra el símbolo “-: -”.

6.3 Ajuste de la hora

- ▶ Pulse el botón **CLOCK** para establecer la hora.
- ✓ En la pantalla aparece 00:00.
- ▶ Pulse los botones **+** o **-** para ajustar las horas.
- ▶ Pulse el botón **CLOCK**.
- ▶ Pulse los botones **+** o **-** para ajustar los minutos.
- ▶ Para guardar la hora, pulse el botón **CLOCK** o espere 5 segundos.

7 Funcionamiento del horno microondas



NOTA

Un horno microondas nuevo puede desprender olores causados por los residuos de su fabricación. Ventile el espacio habitable las primeras veces que utilice el microondas. Para eliminar olores del aparato, se recomienda calentar varias veces una taza de agua a potencia máxima.

7.1 Información para cocinar alimentos

- Coloque cuidadosamente los alimentos. Coloque las áreas más gruesas hacia fuera.
- Tenga en cuenta el tiempo de cocción. Cocine durante el tiempo más breve indicado y aumentelo, si es necesario. La comida demasiado cocinada puede causar humo o incendios.
- Tape los alimentos mientras se cocinan. Las tapas evitan salpicaduras aseguran una cocción uniforme.
- Dé la vuelta a los alimentos como pollos o hamburguesas una vez durante el proceso de cocción. Los alimentos grandes como asados deben darse la vuelta al menos una vez.
- Cambie la posición de los alimentos como albóndigas transcurrido la mitad del tiempo de arriba abajo y del centro hacia fuera.

7.2 Información sobre los recipientes

- Para cocinar se recomiendan recipientes de material permeable a las microondas para que la energía puede llegar hasta la comida.
- Las microondas no pueden atravesar el metal, de forma que no se puede usar la vajilla de metal o vajilla con bordes de metal.
- No emplee productos de papel reciclado para cocinar en el microondas, ya que pueden contener pequeños fragmentos de metal y causar chispas y/o incendios.
- La vajilla redonda/ovalada es más adecuada que la cuadrada/alargada, ya que los alimentos se pueden calentar demasiado en las esquinas de la vajilla.

La siguiente lista sirve como directriz de vajilla adecuada:

Vajilla	Adecuada para microondas
Vidrio resistente al calor	Sí
Vidrio no resistente al calor	No
Cerámica resistente al calor	Sí
Vajilla de plástico adecuada para microondas	Sí
Film plástico	Sí (solo a baja potencia)
Recipientes de metal	No
Soportes de metal	No
Papel de aluminio o recipientes de papel de aluminio	No
Recipientes de bambú	No
Recipientes de cartón	No

7.3 Cocinar



NOTA

- Se puede ajustar un tiempo máximo de cocción de 60 minutos.
- La potencia del microondas y el tiempo de cocción se pueden ajustar en cualquier orden (por ejemplo, primero el tiempo de cocción y después la potencia, o al revés).
- Con potencia máxima, la unidad rebaja la potencia transcurrido algún tiempo para prolongar la vida útil del horno microondas.
- Pinche los alimentos de piel dura (patatas, calabazas, manzanas castañas) antes de cocinarlos.

- Introduzca la comida en el microondas y cierre la puerta.
- Si es necesario, pulse el botón **POWER** varias veces para seleccionar la potencia requerida.

100P	100% de potencia, cocción rápida
80P	80% de potencia, cocción normal
60P	60% de potencia, cocción al vapor
40P	40% de potencia, descongelación
20P	20% de potencia, mantiene la comida caliente

- Pulse los botones **+** o **-** para establecer el tiempo de cocción.
- Pulse el botón **INSTANT/START**.
- ✓ A finalizar el tiempo de cocción fijado, la pantalla indica "End". Se emiten tres pitidos si la puerta todavía no se ha abierto.



¡ADVERTENCIA! ¡Peligro de quemarse con los alimentos calientes!

Utilice manoplas o instrumentos adecuados para extraer los alimentos del microondas.

- Abra la puerta y retire el alimento calentado.



NOTA

Los pitidos se repiten cada tres minutos hasta que se abra la puerta.

Apertura de la puerta durante el funcionamiento

Al abrir la puerta se detiene el proceso de cocción. En la pantalla se visualiza el tiempo que queda.

Prosiga el proceso de cocción de la siguiente forma:

- Cierre la puerta.
- Pulse el botón **INSTANT/START**.

7.4 Calentar líquidos (modo de funcionamiento EXPRESS)

- Introduzca la comida en el microondas y cierre la puerta.
- Si es necesario, pulse el botón **EXPRESS** varias veces para seleccionar el tiempo de cocción de 0:30, 1:00 o 1:30.

- Pulse el botón **INSTANT/START**.
- ✓ A finalizar el tiempo de cocción fijado, la pantalla indica "End". Se emiten tres pitidos si la puerta todavía no se ha abierto.



¡ADVERTENCIA! ¡Peligro de quemarse con los alimentos calientes!

Utilice manoplas o instrumentos adecuados para extraer los alimentos del microondas.

- Abra la puerta y retire el alimento calentado.



NOTA

Los pitidos se repiten cada tres minutos hasta que se abra la puerta.

7.5 Descongelación (modo de funcionamiento DEFROST)

- Introduzca la comida en el microondas y cierre la puerta.
- Pulse el botón **DEFROST** e indique el tipo de comida según la tabla siguiente:

d.1	Descongelar carne (0,1 - 2,0 kg)
d.2	Descongelar ave (0,2 - 3,0 kg)
d.3	Descongelar pescado (0,1 - 0,9 kg)

- Pulse los botones **+** o **-** para establecer el peso.
- Pulse el botón **INSTANT/START** para iniciar el programa de descongelación.
- ✓ Una vez finalizado el programa de descongelación, en la pantalla se visualiza "READY" y suenan tres pitidos consecutivos.



NOTA

Los tiempos de descongelación especificados son orientativos. El tiempo real de descongelación depende del tipo de alimento y de su contenido de agua (carne, pescado, verdura, fruta, pan, etc.). Cuanto mayor sea el contenido en agua, más tiempo se necesitará para descongelar el alimento. Para distribuir uniformemente el calor, dé la vuelta al alimento mientras se está descongelando o gírelo.

7.6 Calentar platos específicos (modo de funcionamiento COOK)

- Introduzca la comida en el microondas y cierre la puerta.
- Si es necesario, pulse el botón **COOK** varias veces para seleccionar el plato deseado:

A.1	Palomitas de maíz 85 g	Para un paquete típico de palomitas para microondas de 85 g de peso. Pulse el botón PAUSE/CANCEL cuando solamente estalle un grano de maíz cada 1 o 2 segundos.
A.2	Palomitas de maíz 100 g	Igual que A.1, para paquetes de 100 g de peso.
A.3	Pizza	Calentar 1 porción de pizza congelada (0,15 kg).
A.4	Bebidas 250 ml	Para una taza con 250 ml de líquido a temperatura de 5 a 10 °C. Utilice una taza ancha. No cubra la taza.
A.5	Bebidas 500 ml	Igual que A.4, para tazas con 500 ml de líquido.
A.6	Patatas	Para tiras de patata (de 5 mm de espesor). Para un peso de 0,45 kg. Reparta las tiras de patata en un plato grande. Cubra las patatas con film plástico apto para evitar que se sequen.
A.7	Patatas	Igual que A.6, para un peso de 0,65 kg.
A.8	Pescado	Para una cocción suave. Para un peso de 0,45 kg. Realice unos cortes sobre el pescado preparado. Coloque el pescado en un plato grande, sazónelo y cúbralo con film plástico apto para evitar que se seque. Deje el pescado reposar 2 minutos después de la cocción.

- Pulse el botón **INSTANT/START**.
- ✓ A finalizar el tiempo de cocción fijado, la pantalla indica "End". Se emiten tres pitidos si la puerta todavía no se ha abierto.



¡ADVERTENCIA! ¡Peligro de quemarse con los alimentos calientes!

Utilice manoplas o instrumentos adecuados para extraer los alimentos del microondas.

**NOTA**

Los programas de cocción automática especificados son orientativos. El tiempo de cocción real depende de la temperatura, tipo y peso del alimento. Puede ajustar la potencia y el tiempo de cocción a varias fases para adaptarlo a sus necesidades (véase el capítulo "Ajuste del programa de cocción en varias fases" en la página 64).

- Abra la puerta y retire el alimento calentado.

**NOTA**

Los pitidos se repiten cada tres minutos hasta que se abra la puerta.

7.7 Ajuste del programa de cocción en varias fases

Puede ajustar la potencia y el tiempo de cocción hasta con 4 fases según sus necesidades.

Ejemplo de programa de cocción de 2 fases: Desea cocinar un plato a una potencia de 100P durante 3 minutos y, seguidamente, a 20P durante 9 minutos.

- Introduzca la comida en el microondas y cierre la puerta.
- Si es necesario, pulse el botón **POWER** varias veces hasta seleccionar la potencia de 100P.
- Pulse los botones **+ o -** para establecer el tiempo de cocción a 3:00 minutos.
- Si es necesario, pulse el botón **POWER** varias veces hasta seleccionar la potencia de 20P.
- Pulse los botones **+ o -** para establecer el tiempo de cocción a 9:00 minutos.
- Pulse el botón **INSTANT/START**.

7.8 Programación del temporizador

El temporizador le permite fijar una hora de inicio de funcionamiento deseada.

Ejemplo de ajuste de la función temporizador: Son las 12:30 pm. A las 2:30 pm, desea cocinar un plato con una potencia de 100P durante 3 minutos.

- Introduzca la comida en el microondas y cierre la puerta.
- Pulse el botón **CLOCK** para establecer la hora.
- ✓ En la pantalla aparece 00:00.
- Pulse los botones **+ o -** para ajustar las horas a las 12:00 pm.

- ▶ Pulse el botón **CLOCK**.
- ▶ Pulse los botones **+** o **-** para ajustar los minutos a las 12:30 pm.
- ▶ Vuelva a pulsar el botón **CLOCK**.
- ▶ Si es necesario, pulse el botón **POWER** varias veces hasta seleccionar la potencia de 100P.
- ▶ Pulse los botones **+** o **-** para establecer el tiempo de cocción a 3:00 minutos.
- ▶ Pulse el botón **PRESET** para fijar el temporizador.
- ▶ Pulse los botones **+** o **-** para ajustar la hora a las 2:00 pm.
- ▶ Pulse el botón **PRESET**.
- ▶ Pulse los botones **+** o **-** para ajustar los minutos a las 2:30 pm
- ▶ Vuelva a pulsar el botón **PRESET** para guardar el ajuste del temporizador.
- ✓ El horno microondas empezará a funcionar a la hora fijada.

Puede comprobar la función del temporizador pulsando el botón **PRESET**. La pantalla indica la hora de inicio establecida.

7.9 Bloqueo de los botones

Puede bloquear los botones como medida de seguridad infantil.

- ▶ Para activar el bloqueo de botones, mantenga pulsado el botón **PAUSE/CANCEL** durante 3 segundos.
- ▶ Para desactivar el bloqueo de botones, mantenga pulsado el botón **PAUSE/CANCEL** durante 3 segundos.

8 Limpieza y cuidado

- Apague el aparato y desconecte el enchufe antes de limpiarlo.
- No utilice productos abrasivos para limpiar el aparato.
- Mantenga el interior del microondas limpio. Si la comida salpica o se derraman líquidos en las paredes del microondas, límpielas con un paño húmedo. Utilice un producto de limpieza suave si el microondas está muy sucio. Evite usar sprays u otros productos de limpieza agresivos, ya que pueden causar manchas, franjas o superficies opacas en la puerta.

- Las superficies exteriores deben limpiarse con un paño húmedo. Para evitar daños en los componentes internos, evítese la entrada de agua directamente por las rendijas de ventilación.
- Limpie regularmente con un paño húmedo las juntas de la puerta y las partes circundantes para retirar suciedad y salpicaduras.
- No moje el panel de mando. Límpielo con un paño húmedo y suave. Deje la puerta abierta para no encender el microondas de forma no intencionada.
- Si se acumula humedad dentro o en el lado externo de la puerta, séquela con un paño suave. Esto puede suceder cuando se usa el microondas en condiciones de mucha humedad y es completamente normal.
- Se pueden eliminar los olores del microondas con una taza de agua y zumo o cáscara de limón. Póngalos en un recipiente hondo apto para microondas y enciéndalo durante 5 minutos. Límpielo a fondo y séquelo con un paño suave.
- Si se estropea una bombilla del microondas, encargue a un distribuidor autorizado que la cambie.
- El microondas debe limpiarse con regularidad y deben retirarse todos los restos de alimentos. Si no se mantiene el microondas limpio, se puede perjudicar la superficie y reducirse así la vida útil del aparato.

9 Solución de averías

Avería	Solución
El microondas no funciona.	Asegúrese de que el microondas está enchufado correctamente. Si no está enchufado correctamente, retire la clavija, espere 10 segundos y enchúfelo correctamente.
	Compruebe que ningún fusible está averiado o haya saltado una protección. Si funcionan correctamente, compruebe la caja de enchufe con otro aparato.
	Asegúrese de que el microondas y el tiempo de cocción estén correctamente ajustados.
	Compruebe si la puerta está bien cerrada. De lo contrario, las microondas no llegan al interior del horno.

10 Garantía

Rige el plazo de garantía legal. Si el producto presenta algún defecto, diríjase a la sucursal del fabricante de su país (ver direcciones en el dorso de estas instrucciones) o a su establecimiento especializado.

Para la tramitación de la reparación y de la garantía debe enviar también los siguientes documentos:

- una copia de la factura con fecha de compra,
- el motivo de la reclamación o una descripción de la avería.

11 Gestión de residuos

► Deseche el material de embalaje en el contenedor de reciclaje correspondiente.



Cuando vaya a desechar definitivamente el producto, infórmese en el centro de reciclaje más cercano o en un comercio especializado sobre las normas pertinentes de eliminación de materiales.

12 Datos técnicos

	MWO 240
N.º de art.:	9600008377
Tensión nominal:	230 V $\overline{=}$, 50 Hz
Potencia del microondas:	700 W
Frecuencia del microondas:	2450 MHz
Dimensiones externas H x A x P:	283 x 451 x 353 mm
Dimensiones del interior H x A x P:	181,5 x 303 x 321 mm
Capacidad:	17 litros
Peso:	11,5 kg

Por favor, leia atentamente este manual antes da colocação em funcionamento do aparelho e guarde-o em local seguro. Em caso de transmissão do produto, entregue o manual ao novo utilizador.

Índice

1	Explicação dos símbolos	68
2	Indicações de segurança	69
3	Material fornecido	71
4	Utilização adequada	71
5	Descrição técnica	72
6	Ligação e configuração do aparelho de micro-ondas	73
7	Operação do aparelho de micro-ondas	74
8	Limpeza e manutenção	81
9	Resolução de falhas	82
10	Garantia	83
11	Eliminação	83
12	Dados técnicos	83

1 Explicação dos símbolos



AVISO!

Indicação de segurança: o incumprimento pode provocar a morte ou ferimentos graves.



PRECAUÇÃO!

Indicação de segurança: o incumprimento pode provocar ferimentos.



NOTA!

O incumprimento pode causar danos materiais e pode prejudicar o funcionamento do produto.

**OBSERVAÇÃO**

Informações suplementares sobre a operação do produto.

2 Indicações de segurança

**AVISO!**

- Utilize este aparelho apenas para a utilização prevista, como descrito nestas instruções.
- Não utilize produtos químicos corrosivos neste aparelho.
- Não operar o aparelho quando o mesmo estiver vazio.
- Não coloque este dispositivo em funcionamento
 - se os cabos ou fichas estiverem danificados
 - se ele não estiver a funcionar corretamente
 - se ele estiver avariado ou caiu.
- Se o cabo de conexão estiver danificado, o mesmo tem de ser substituído pelo fabricante ou pelo seu serviço de assistência técnica, ou por uma pessoa com qualificações equivalentes para evitar perigos.
- Este aparelho pode ser utilizado por crianças a partir dos 8 anos, assim como por pessoas com capacidades físicas, sensoriais ou mentais reduzidas ou com insuficiente experiência e conhecimento, quando supervisionadas ou quando tenham recebido informação acerca da utilização segura do aparelho e compreendam os perigos dele resultantes.
- A limpeza e a manutenção por parte do utilizador não podem ser efetuadas por crianças sem supervisão.
- Este aparelho não foi previsto para ser utilizado por pessoas (incluindo crianças) com capacidades físicas, sensoriais ou mentais reduzidas ou com insuficiente experiência e conhecimento, desde que não tenha sido efetuada uma supervisão adequada ou tenham sido dadas instruções detalhadas acerca da utilização do aparelho por parte de uma pessoa responsável pela sua segurança.
- As crianças têm de ser supervisionadas, por forma a garantir que não brincam com o aparelho.
- Guarde e utilize o aparelho fora do alcance de crianças com idade inferior a 8 anos.

- Para reduzir o perigo de incêndio no aparelho de micro-ondas:
 - Ao aquecer alimentos em recipientes de plástico ou de papel, verifique o aparelho de micro-ondas em relação a uma possível ignição.
 - Retire os fios dos sacos de papel ou de plástico adequados para micro-ondas antes de os colocar no aparelho de micro-ondas.
 - Em caso de formação de fumo, desligue o aparelho ou retire a ficha de rede da tomada. Mantenha a porta fechada para abafar eventuais chamas.
 - Não utilize o espaço interior para fins de armazenamento. Não deixe produtos de papel, utensílios de cozinha ou géneros alimentícios dentro do aparelho de micro-ondas se não utilizar o mesmo.
- Os talheres devem ser verificados quanto à sua aptidão de serem utilizados no aparelho de micro-ondas.
- O aparelho de micro-ondas só pode ser reparado por técnicos qualificados. Para pessoas sem qualificação, torna-se perigoso proceder a trabalhos de assistência técnica ou de reparação, incluindo a remoção de coberturas, uma vez que estas garantem uma proteção contra a exposição a radiações através da energia do micro-ondas.



PRECAUÇÃO!

- Os produtos alimentícios líquidos ou outro tipo de alimentos não podem ser aquecidos em recipientes fechados, uma vez que podem explodir.
- O aquecimento de bebidas pode provocar uma repentina fervura eruptiva retardada, pelo que é necessário manusear o recipiente com cuidado.
- No aparelho de micro-ondas não devem ser assados géneros alimentícios. O óleo quente pode danificar algumas peças do forno e utensílios e provocar queimaduras na pele.
- Ovos com casca e ovos demasiado cozidos não devem ser aquecidos no aparelho de micro-ondas, uma vez que também podem explodir depois do aquecimento.
- O conteúdo de biberões e copos de bebés deverá ser mexido ou agitado e, antes de ser consumido, deve ser verificada a temperatura para evitar queimaduras.
- Os utensílios de cozinha podem ficar quentes uma vez que é transferido calor a partir dos géneros alimentícios aquecidos. Podem ser necessárias pegas para a utilização.

- Perigo de queimaduras! Todas as superfícies, incluindo a porta do aparelho, podem ficar quentes durante a operação. Mantenha as crianças pequenas longe do aparelho. Os elementos térmicos no aparelho podem permanecer quentes após a operação. Não toque nos elementos térmicos do aparelho.
- Não utilize o aparelho de micro-ondas com a porta aberta, uma vez que isso pode provocar efeitos nocivos causados pelas micro-ondas. Os dispositivos de proteção não podem ser suprimidos ou manipulados.
- Não coloque objetos entre a superfície frontal do aparelho de micro-ondas e a porta.
- Remova os resíduos da limpeza que possam ter se acumulado nas superfícies de vedação.
- Não coloque o aparelho em funcionamento se este estiver danificado. É particularmente importante que a porta do micro-ondas feche corretamente e que não existam danos
 - na porta (empenada),
 - nas dobradiças e bloqueios (partidos ou soltos),
 - nas juntas da porta e nas superfícies de vedação.
- Não utilize o aparelho de micro-ondas em andamento.
- Não utilize o aparelho de micro-ondas como compartimento de arrumação adicional (por exemplo, para roupa).

**NOTA!**

- Verifique se a indicação de tensão na chapa de características corresponde à da alimentação de energia.

3 Material fornecido

- Aparelho de micro-ondas
- Manual de instruções

4 Utilização adequada

O aparelho de micro-ondas foi desenvolvido para a instalação em caravanas e autocaravanas. Ele é indicado para descongelar e aquecer géneros alimentícios durante curtos períodos de tempo de até 60 minutos. Este tipo de aparelho de micro-ondas foi desenvolvido especialmente para aquecer ou cozinhar. Não foi concebido para utilização industrial ou em laboratório.

O aparelho de micro-ondas foi projetado para operar à rede de corrente alternada.

5 Descrição técnica

O aparelho de micro-ondas possui os seguintes componentes e elementos de controlo:

Componentes

Item na fig. 1, página 3	Explicação
1	Painel de comando
2	Abridor de porta
3	Prato de cerâmica
4	Bloqueio da porta
5	Janela do micro-ondas

Elementos de comando

Item na fig. 2, página 3	Explicação
1	Monitor para visualizar o tempo de cozedura, a potência e a hora atual
2	POWER Selecionar potência do micro-ondas pretendida 100P, 80P, 60P, 40P, 20P
3	EXPRESS Selecionar o modo de funcionamento EXPRESS: 0:30, 1:00 ou 1:30
4	COOK Selecionar o modo de funcionamento COOK
5	DEFROST Selecionar o modo de funcionamento DEFROST para descongelar alimentos congelados
6	CLOCK Definir a hora
7	PRESET Definir o temporizador
8	INSTANT/START Iniciar ou parar o programa de cozedura ou descongelamento atual

Item na fig. 2, página 3		Explicação
9	PAUSE/ CANCEL	Cancelar durante as configurações Durante o funcionamento: Pressionar uma vez: Pausar operação, pressionar duas vezes: Parar operação
10	–	Definir o tempo de cozedura Durante o funcionamento: Reduzir o tempo de cozedura ou o peso durante o funcionamento
11	+	Definir o tempo de cozedura Durante o funcionamento: Aumentar o tempo de cozedura ou o peso durante o funcionamento
12		Abridor de porta

6 Ligação e configuração do aparelho de micro-ondas

6.1 Instalação do aparelho de micro-ondas

Na instalação, preste atenção às seguintes indicações:

- Certifique-se de que todos os materiais de embalagem são retirados da parte interior da porta.
- Verifique o aparelho de micro-ondas quanto a danos como, por exemplo, uma porta mal alinhada ou empenada, juntas da porta ou superfícies de vedação danificadas, dobradiças da porta partidas ou soltas, bloqueios e amolgadelas no interior ou na porta. Se detetar um dano, não coloque o aparelho de micro-ondas em funcionamento e entre em contacto com uma pessoa qualificada do serviço de assistência técnica.
- O aparelho de micro-ondas tem de ser colocado sobre uma superfície plana e estável de forma a poder manter o seu peso específico e os alimentos mais pesados possíveis.
- Coloque o aparelho de micro-ondas a pelo menos 85 cm acima do solo.
- Não posicione o aparelho de micro-ondas perto de calor, humidade, humidade do ar elevada ou na proximidade de materiais inflamáveis.

- Para um funcionamento correto, o aparelho de micro-ondas necessita de uma entrada de ar suficiente. Mantenha uma distância suficiente (aprox. 5 cm) em relação às paredes exteriores por forma a garantir a transferência de calor. Não cubra nem bloqueie as aberturas no aparelho de micro-ondas. Os pés não podem ser retirados.
- Certifique-se de que o cabo de conexão não está danificado nem colocado por baixo do aparelho de micro-ondas ou sobre uma superfície quente ou afiada.
- Não utilize o aparelho de micro-ondas ao ar livre.

6.2 Efetuar a ligação elétrica do aparelho de micro-ondas

- ▶ Insira a ficha de rede na tomada de corrente alternada.
- ✓ O monitor pisca três vezes e exibe “-: -”.

6.3 Configurar as horas

- ▶ Prima o botão **CLOCK** para definir o tempo.
- ✓ O monitor indica 00:00.
- ▶ Prima o botão **+** ou **-** para configurar as horas.
- ▶ Prima o botão **CLOCK**.
- ▶ Prima o botão **+** ou **-** para configurar os minutos.
- ▶ Prima o botão **CLOCK** ou aguarde 5 minutos para memorizar o tempo.

7 Operação do aparelho de micro-ondas



OBSERVAÇÃO

Um aparelho de micro-ondas novo pode gerar odores devido a resíduos de produção. Ventile o espaço ao usar o aparelho de micro-ondas nas primeiras vezes. Recomenda-se que aquecer várias vezes uma chávena de água a alta potência para eliminar odores.

7.1 Informações sobre a confeção de géneros alimentícios

- Posicione cuidadosamente os géneros alimentícios. Coloque as áreas mais grossas na parte de fora.

- Preste atenção ao tempo de cozedura. Efetue a cozedura durante o tempo indicado mais reduzido e aumente-o, se necessário. Alimentos demasiado cozidos podem produzir fumaça ou apanhar fogo.
- Cubra os géneros alimentícios durante a cozedura. As coberturas evitam salpicos e garantem uma cozedura uniforme.
- Vire os géneros alimentícios como frangos ou hambúrgueres uma vez durante o processo de cozedura. Os géneros alimentícios grandes como assados têm de ser virados, pelo menos, uma vez.
- Após metade do tempo, posicione os géneros alimentícios, como almôndegas, de cima para baixo e do meio para fora.

7.2 Informações acerca da louça para cozinhar

- O material ideal para um aparelho de micro-ondas é permeável para que as micro-ondas possam passar pelo mesmo e a energia possa penetrar no recipiente e aquecer os géneros alimentícios.
- As micro-ondas não conseguem penetrar no metal, pelo que não deve ser utilizada louça em metal ou com rebordo metálico.
- Não utilize produtos de papel reciclado para a cozedura no aparelho de micro-ondas uma vez que podem conter fragmentos de metal que, por sua vez, podem causar faúlhas e/ou incêndios.
- A louça redonda/oval é mais adequada do que a quadrada ou retangular, uma vez que os géneros alimentícios nos cantos da louça podem aquecer excessivamente.

A lista seguinte serve como diretiva para louça adequada:

Louça para cozinhar	adequada para micro-ondas
vidro resistente ao calor	Sim
vidro não resistente ao calor	Não
cerâmica resistente ao calor	Sim
louça em plástico adequada para micro-ondas	Sim
filme plástico	Sim (apenas sob baixa potência)

Louça para cozinhar	adequada para micro-ondas
taças de metal	Não
estruturas de metal	Não
película de alumínio e recipientes em película de alumínio	Não
utensílios de mesa de bambu	Não
utensílios de mesa de cartão	Não

7.3 Cozer



OBSERVAÇÃO

- Pode regular um tempo de cozedura máximo de 60 minutos.
- Pode definir a potência do micro-ondas e o tempo de cozedura na sequência que desejar (por exemplo, primeiro o tempo de cozedura e depois a potência do micro-ondas ou ao contrário).
- No máximo de potência de micro-ondas, a unidade reduz a energia após algum tempo para prolongar a vida útil do aparelho de micro-ondas.
- Antes do aquecimento, pique os géneros alimentícios com pele dura como as batatas, abóboras inteiras, maçãs e castanhas.

- Coloque os géneros alimentícios no aparelho de micro-ondas e feche a porta.
- Se necessário, prima repetidamente o botão **POWER** para seleccionar a potência do micro-ondas pretendida:

100P	100% de energia de micro-ondas; aquecimento rápido de alimentos
80P	80% de energia de micro-ondas; aquecimento de alimentos
60P	60% de energia de micro-ondas; alimento fumegante
40P	40% de energia de micro-ondas; descongelar alimentos
20P	20% de energia de micro-ondas; manter os alimentos quentes

- Prima o botão **+** ou **-** para definir o tempo de cozedura.
- Prima o botão **INSTANT/START**.
- ✓ Uma vez decorrido o tempo de cozedura definido, o monitor indica "End". Ouve-se um sinal sonoro três vezes consecutivas, caso ainda não tenha aberto a porta do aparelho de micro-ondas.

**AVISO! Perigo de queimaduras devido a géneros alimentícios quentes!**

Utilize pegas adequadas para retirar os géneros alimentícios quentes do aparelho de micro-ondas.

- Abra a porta e retire os géneros alimentícios quentes.

**OBSERVAÇÃO**

O sinal sonoro repete-se a cada três minutos até abrir a porta.

Abertura da porta durante a cozedura

Se abrir a porta, o processo de cozedura é interrompido. O monitor exibe o tempo restante.

Prossiga com o processo de cozedura da seguinte forma:

- Volte a fechar a tampa.
- Prima o botão **INSTANT/START**.

7.4 Aquecer líquidos (modo de funcionamento EXPRESS)

- Coloque os géneros alimentícios no aparelho de micro-ondas e feche a porta.
- Se necessário, premir o botão **EXPRESS** repetidamente para seleccionar o tempo de cozedura necessário de 0:30, 1:00 ou 1:30.
- Prima o botão **INSTANT/START**.
- ✓ Uma vez decorrido o tempo de cozedura definido, o monitor indica “End”.
Ouve-se um sinal sonoro três vezes consecutivas, caso ainda não tenha aberto a porta do aparelho de micro-ondas.

**AVISO! Perigo de queimaduras devido a géneros alimentícios quentes!**

Utilize pegas adequadas para retirar os géneros alimentícios quentes do aparelho de micro-ondas.

- Abra a porta e retire os géneros alimentícios quentes.

**OBSERVAÇÃO**

O sinal sonoro repete-se a cada três minutos até abrir a porta.

7.5 Descongelamento (modo de funcionamento DEFROST)

- ▶ Coloque os géneros alimentícios no aparelho de micro-ondas e feche a porta.
- ▶ Prima o botão **DEFROST** e introduza o tipo de alimento de acordo com a seguinte tabela:

d.1	Descongelar carne (0,1 a 2,0 kg)
-----	----------------------------------

d.2	Descongelar aves (0,2 a 3,0 kg)
-----	---------------------------------

d.3	Descongelar peixe (0,1 a 0,9 kg)
-----	----------------------------------

- ▶ Prima o botão **+** ou **-** para configurar o peso.
- ▶ Prima o botão **INSTANT/START** para iniciar o programa de descongelamento.
- ✓ Concluído o programa de descongelamento, o monitor indica "End" e ouve-se então três sinais sonoros consecutivos.



OBSERVAÇÃO

Os tempos de descongelamento especificados são valores de referência. O tempo de descongelamento efetivamente necessário depende do tipo e do teor de água dos géneros alimentícios (carne, peixe, legumes, fruta, pão, etc.). Quanto mais elevado for o teor de água nos géneros alimentícios, mais tempo será necessário para o descongelamento. Para distribuir o calor uniformemente, vire os géneros alimentícios durante o processo de descongelamento.

7.6 Aquecer pratos específicos (modo de funcionamento COOK)

- ▶ Coloque os géneros alimentícios no aparelho de micro-ondas e feche a porta.
- ▶ Se necessário, prima repetidamente o botão **COOK** para selecionar o prato pretendido:

A.1	Pipoca 85 g	Para um pacote típico de pipoca de micro-ondas com tamanho de embalagem de 85 g. Prima o botão PAUSE/CANCEL quando apenas 1 grão de milho estourar a cada 1 a 2 segundos.
-----	-------------	---

A.2	Pipoca 100 g	Quanto ao A.1, para um tamanho de embalagem de 100 g.
-----	--------------	---

A.3	Pizza	Aqueça 1 pedaço de pizza congelada (0,15 kg).
-----	-------	---

A.4	Bebidas 250 ml	Para um copo com 250 ml de líquido a uma temperatura de cerca de 5 a 10 ° C. Use um copo largo. Não cubra o copo.
A.5	Bebidas 500 ml	Quanto ao A.4, para um copo com 50 ml de líquido.
A.6	Batatas	Cozinhar as tiras de batata (cortadas em pedaços de 5 mm de largura). Para uma massa de 0,45 kg. Espalhe as tiras em um prato grande. Cubra as batatas com um filme plástico adequado para evitar o ressecamento.
A.7	Batatas	Quanto ao A.6, para uma massa de 0,65 kg.
A.8	Peixe	Para cozinhar peixe suavemente. Para uma massa de 0,45 kg. Corte fendas no peixe preparado. Coloque o peixe em um prato grande, tempere o peixe e cubra-o com um plástico adequado para evitar que ele seque. Deixe o peixe descansar por 2 minutos após a cozedura.

- Prima o botão **INSTANT/START**.
- ✓ Uma vez decorrido o tempo de cozedura definido, o monitor indica “End”. Ouve-se um sinal sonoro três vezes consecutivas, caso ainda não tenha aberto a porta do aparelho de micro-ondas.



AVISO! Perigo de queimaduras devido a géneros alimentícios quentes!

Utilize pegas adequadas para retirar os géneros alimentícios quentes do aparelho de micro-ondas.



OBSERVAÇÃO

Os programas de cozedura automática especificados são baseados em valores de referência. O tempo real de cozedura requerido depende da temperatura, tipo e peso da comida. Pode ajustar a potência do aparelho de micro-ondas e o tempo de cozimento em vários estágios para atender às suas necessidades (ver capítulo “Configurar o programa de cozedura multi-estágio” na página 80).

- Abra a porta e retire os géneros alimentícios quentes.



OBSERVAÇÃO

O sinal sonoro repete-se a cada três minutos até abrir a porta.

7.7 Configurar o programa de cozedura multi-estágio

Pode ajustar a potência do aparelho de micro-ondas e o tempo de cozimento em até 4 estágios para atender às suas necessidades.

Exemplo de um programa de cozedura de dois estágios: Pretende cozinhar um prato a 100P por 3 minutos, depois a 20P por 9 minutos.

- ▶ Coloque os géneros alimentícios no aparelho de micro-ondas e feche a porta.
- ▶ Se necessário, premir o botão **PODER** repetidamente até que a potência de micro-ondas necessária de 100P seja selecionada.
- ▶ Prima o botão **+** ou **-** para definir o tempo de cozedura para 3:00 minutos.
- ▶ Se necessário, premir o botão **PODER** repetidamente até que a potência de micro-ondas necessária de 20P seja selecionada.
- ▶ Prima o botão **+** ou **-** para definir o tempo de cozedura para 9:00 minutos.
- ▶ Prima o botão **INSTANT/START**.

7.8 Programar o temporizador

A função temporizador permite que defina um horário preferido para iniciar a operação do aparelho de micro-ondas.

Um exemplo de configuração da função de temporizador: São 12:30 horas. Às 14:30 horas, pretende de cozinhar um prato a 100P por 3 minutos.

- ▶ Coloque os géneros alimentícios no aparelho de micro-ondas e feche a porta.
- ▶ Prima o botão **CLOCK** para definir o tempo.
- ✓ O monitor indica 00:00 horas.
- ▶ Prima o botão **+** ou **-** para configurar as horas para 12:00 horas.
- ▶ Prima o botão **CLOCK**.
- ▶ Prima o botão **+** ou **-** para configurar os minutos para 12:30 minutos.
- ▶ Prima de novo o botão **CLOCK**.
- ▶ Se necessário, premir o botão **PODER** repetidamente até que a potência de micro-ondas necessária de 100P seja selecionada.
- ▶ Prima o botão **+** ou **-** para definir o tempo de cozedura para 3 minutos.
- ▶ Prima o botão **PRESET** para definir o temporizador.
- ▶ Prima o botão **+** ou **-** para configurar a hora para 14:00 horas.

- Prima o botão **PRESET**.
- Prima o botão **+** ou **-** para configurar os minutos para 2:30 minutos.
- Prima o botão **PRESET** para definir o tempo.
- ✓ O aparelho de micro-ondas começa a funcionar no horário definido.

Pode verificar a função do temporizador ao premir o botão **PRESET**. O monitor exibe a hora de início predefinida.

7.9 Bloquear os botões

Pode definir um bloqueio de botão como um mecanismo de segurança para crianças.

- Para ativar o bloqueio de botão, mantenha o botão **PAUSE/CANCEL** premido por 3 segundos.
- Para desativar o bloqueio do botão, mantenha o botão **PAUSE/CANCEL** premido por 3 segundos.

8 Limpeza e manutenção

- Antes de limpar o aparelho, desligue-o e retire a ficha da tomada.
- Não utilize agentes de limpeza abrasivos para limpar o aparelho.
- Mantenha o espaço interior do aparelho e micro-ondas limpo. Se a comida salpicada ou os líquidos derramados aderirem às paredes do aparelho de micro-ondas, limpe-os com um pano humedecido. Se o aparelho de micro-ondas estiver muito sujo, utilize um produto de limpeza suave. Evite a utilização de sprays e outros produtos de limpeza abrasivos, uma vez que os mesmos podem provocar manchas, riscos ou superfícies baças na porta.
- As superfícies exteriores devem ser limpas com um pano humedecido. Para evitar danos nos componentes de funcionamento no interior do aparelho de micro-ondas, a água não pode se infiltrar diretamente nas aberturas de ventilação.
- Lave regularmente a porta, as juntas da porta e as peças adjacentes com um pano humedecido, de forma a retirar a sujidade ou os salpicos.
- Não deixe que o painel de controlo fique molhado. Limpe-o com um pano macio e humedecido. Deixe a porta aberta para não ligar acidentalmente o aparelho de micro-ondas.

- Se houver acumulação de humidade dentro ou na superfície exterior da porta, seque-a com um pano macio. Isto pode ocorrer no caso do aparelho de micro-ondas ser colocado a funcionar em condições de humidade elevadas, isto representa uma situação normal.
- Os odores dentro do aparelho de micro-ondas podem ser eliminados com uma chávena de água com sumo e casca de limão. Deite esta mistura num recipiente fundo adequado para micro-ondas e ligue o aparelho de micro-ondas durante 5 minutos. Seque bem a base do micro-ondas com um pano macio.
- Solicite a substituição da lâmpada do micro-ondas por um revendedor autorizado.
- O aparelho de micro-ondas deve ser limpo regularmente e todos os restos de géneros alimentícios removidos. Se o aparelho não for mantido sempre limpo, isso pode prejudicar a superfície e encurtar o tempo de vida útil do aparelho.

9 Resolução de falhas

Falha	Solução
O aparelho de micro-ondas não está a funcionar.	Certifique-se de que o aparelho de micro-ondas está corretamente conectado. Se não estiver conectado corretamente, retire a ficha da tomada, aguarde 10 segundos e ligue o aparelho de micro-ondas corretamente.
	Verifique se algum fusível está queimado ou se algum disjuntor disparou. Se os mesmos estiverem a funcionar corretamente, teste a tomada com um outro aparelho.
	Certifique-se de que o aparelho de micro-ondas e o tempo de cozedura estão definidos corretamente.
	Verifique se a porta está corretamente fechada. Caso contrário, as micro-ondas não alcançam o interior do aparelho de micro-ondas.

10 Garantia

É válido o prazo de garantia legal. Se o produto estiver com defeito, por favor, dirija-se à representação do fabricante no seu país (endereços, ver verso do manual) ou ao seu revendedor.

Para fins de reparação ou de garantia, terá de enviar os seguintes documentos em conjunto:

- uma cópia da factura com a data de aquisição,
- um motivo de reclamação ou uma descrição da falha.

11 Eliminação

- Sempre que possível, coloque o material de embalagem no respectivo contentor de reciclagem.



Para colocar o aparelho definitivamente fora de funcionamento, por favor, informe-se junto do centro de reciclagem mais próximo ou revendedor sobre as disposições de eliminação aplicáveis.

12 Dados técnicos

	MWO 240
N.º de artigo:	9600008377
Tensão nominal:	230 V $\overline{=}$, 50 Hz
Potência do micro-ondas:	700 W
Frequência do micro-ondas:	2450 MHz
Dimensões exteriores A x L x P:	283 x 451 x 353 mm
Dimensões do espaço interior A x L x P:	181,5 x 303 x 321 mm
Volume:	17 litros
Peso:	11,5 kg

Prima di effettuare la messa in funzione, leggere accuratamente questo manuale di istruzioni, conservarlo e, nel caso in cui il prodotto venga consegnato ad un altro utente, consegnare anche le relative istruzioni.

Indice

1	Spiegazione dei simboli	84
2	Istruzioni per la sicurezza	85
3	Dotazione	87
4	Conformità d'uso	88
5	Descrizione delle caratteristiche tecniche	88
6	Collegamento e impostazione del forno a microonde	89
7	Uso del forno a microonde	91
8	Pulizia e cura	98
9	Ricerca guasti	99
10	Garanzia	99
11	Smaltimento	99
12	Specifiche tecniche.	100

1 Spiegazione dei simboli



AVVERTENZA!

Avviso di sicurezza: la mancata osservanza di questo avviso può causare ferite gravi anche mortali.



ATTENZIONE!

Avviso di sicurezza: la mancata osservanza di questo avviso può essere causa di lesioni.



AVVISO!

La mancata osservanza di questa nota può causare danni materiali e compromettere il funzionamento del prodotto.

**NOTA**

Informazioni integranti relative all'impiego del prodotto.

2 Istruzioni per la sicurezza

**AVVERTENZA!**

- Utilizzare il presente apparecchio solo per l'uso previsto, come indicato nel presente manuale di istruzioni.
- Non usare mai sostanze chimiche corrosive all'interno del presente apparecchio.
- Non far mai funzionare il forno vuoto.
- Non mettere in funzione questo apparecchio
 - se i cavi o le spine sono danneggiati
 - se non funziona correttamente
 - se è stato danneggiato o è caduto.
- Se il cavo di collegamento viene danneggiato, deve essere sostituito dal produttore, dal suo servizio assistenza clienti o da personale ugualmente qualificato al fine di evitare pericoli.
- Il presente dispositivo può essere usato sia da bambini dagli 8 anni in su, sia da persone con ridotte capacità fisiche, sensoriali o mentali o con poca esperienza o conoscenze, se non lasciati soli o se istruiti sul suo utilizzo sicuro e in grado di capire i pericoli che possono sorgere.
- La pulizia e la manutenzione da parte dell'utente non devono essere compiute da bambini lasciati soli.
- Questo apparecchio non è adatto per essere impiegato da persone (bambini inclusi) con ridotte capacità fisiche, sensoriali o psichiche o prive di esperienza e di conoscenze specifiche, a meno che non siano sorvegliate da una persona competente o non siano state adeguatamente istruite sull'impiego dell'apparecchio da parte di una persona addetta alla sicurezza.
- Controllare che i bambini non giochino con questo apparecchio.
- Conservare e utilizzare il dispositivo lontano dalla portata dei bambini al di sotto degli 8 anni.

- Per ridurre il rischio di incendio all'interno del forno a microonde:
 - Quando si riscaldano alimenti all'interno di contenitori di plastica o di carta, controllare il forno per ridurre al minimo il rischio di innesco.
 - Prima di inserire nel forno a microonde sacchetti di carta o di plastica adatti per forni a microonde, assicurarsi di aver rimosso le fascette con anima in filo metallico.
 - Se si nota del fumo, spegnere l'apparecchio oppure estrarre la spina di alimentazione. Tenere chiuso lo sportello per soffocare eventuali fiamme.
 - Non utilizzare il vano interno come ripostiglio per gli alimenti. Non lasciare nel forno a microonde prodotti di carta, utensili da cucina o alimenti se non si intende utilizzarli.
- Controllare che le stoviglie siano adatte a essere utilizzate nel forno a microonde.
- Il forno a microonde può essere riparato esclusivamente da personale tecnico qualificato. Le operazioni di assistenza o riparazione che comportano la rimozione di eventuali coperture che proteggono dall'esposizione all'energia delle microonde devono essere effettuate esclusivamente da parte di personale addestrato in quanto potrebbero risultare pericolose per chiunque altro.



ATTENZIONE!

- Non riscaldare nel forno liquidi o altri alimenti in contenitori sigillati poiché potrebbero esplodere.
- Usare molta cautela quando si riscaldano bevande in recipienti poiché potrebbe verificarsi un'improvvisa e inattesa ebollizione.
- Non friggere alimenti nel forno a microonde. L'olio caldo può danneggiare parti del forno o utensili e causare ustioni alla pelle.
- Non cuocere le uova con il guscio o le uova sode nel forno a microonde poiché potrebbero esplodere.
- Agitare o mescolare il contenuto di biberon e vasetti di cibi per neonati e controllare la temperatura prima di servirli per evitare il rischio di ustioni.
- Gli utensili da cucina possono surriscaldarsi poiché assorbono il calore dagli alimenti riscaldati. In tal caso è necessario servirsi di presine.

- Pericolo di ustioni! Tutte le superfici, compresa quella dello sportello dell'apparecchio, possono diventare calde durante il funzionamento. Tenere i bambini piccoli lontano dall'apparecchio. Gli elementi riscaldanti dell'apparecchio possono rimanere caldi dopo il funzionamento. Non toccare gli elementi riscaldanti nell'apparecchio.
- Non utilizzare il forno a microonde con lo sportello aperto poiché potrebbe verificarsi una pericolosa esposizione all'energia a microonde. I dispositivi di protezione non devono essere bypassati o manomessi.
- Non collocare oggetti tra la superficie anteriore del forno e microonde e lo sportello.
- Rimuovere i residui di detersivi che possono accumularsi sulle superfici di tenuta.
- Non mettere in funzione l'apparecchio nel caso in cui sia danneggiato. È particolarmente importante che lo sportello del forno a microonde sia correttamente chiuso e che non siano presenti danni
 - allo sportello (piegato),
 - ai cardini e ai dispositivi di bloccaggio (rotti o allentati),
 - alle guarnizioni dello sportello e alle superfici di tenuta.
- Non utilizzare il forno a microonde durante la guida.
- Non utilizzare il forno a microonde come armadietto supplementare (ad es. per i vestiti).

**AVVISO!**

- Confrontare i dati della tensione riportati sulla targhetta con quelli delle prese e degli attacchi disponibili.

3 Dotazione

- Forno a microonde
- Manuale di istruzioni

4 Conformità d'uso

Il forno a microonde è progettato per l'installazione in camper e caravan. È adatto per scongelare e riscaldare alimenti per breve tempo, fino a 60 minuti. Questo tipo di forno a microonde è stato progettato specificatamente per riscaldare o cucinare. Non è adatto per l'impiego industriale o in laboratori.

Il forno a microonde è progettato per funzionare con la rete di alimentazione alternata.

5 Descrizione delle caratteristiche tecniche

Il forno a microonde comprende i seguenti componenti ed elementi di comando:

Componenti

Elemento nella fig. 1, pagina 3	Spiegazione
1	Pannello di controllo
2	Apertura sportello
3	Piastra ceramica
4	Bloccaggio sportello
5	Finestra del forno a microonde

Elementi di comando

Elemento nella fig. 2, pagina 3	Spiegazione
1	Display per l'indicazione del tempo di cottura, della potenza e dell'ora attuale
2	POWER Selezione della potenza desiderata del forno a microonde 100P, 80P, 60P, 40P, 20P
3	EXPRESS Selezione della modalità di funzionamento EXPRESS: 0:30, 1:00 o 1:30

Elemento nella fig. 2, pagina 3	Spiegazione	
4	COOK	Selezione della modalità di funzionamento COOK
5	DEFROST	Selezione della modalità di funzionamento DEFROST per scongelare alimenti surgelati
6	CLOCK	Impostazione dell'ora
7	PRESET	Impostazione del timer
8	INSTANT/ START	Avvio o arresto del programma di cottura o scongelamento attuale
9	PAUSE/ CANCEL	Per annullare durante le impostazioni Durante il funzionamento: premuto una volta: mette in pausa il funzionamento, premuto due volte: arresta il funzionamento
10	-	Impostazione del tempo di cottura Durante il funzionamento: riduce il tempo di cottura o il peso durante il funzionamento
11	+	Impostazione del tempo di cottura Durante il funzionamento: aumenta il tempo di cottura o il peso durante il funzionamento
12		Apertura sportello

6 Collegamento e impostazione del forno a microonde

6.1 Installazione del forno a microonde

Durante l'installazione osservare le seguenti indicazioni:

- Verificare che tutto il materiale di imballaggio sia stato rimosso dal lato interno dello sportello.
- Controllare che il forno a microonde non presenti danni, come uno sportello allineato male o piegato, guarnizioni dello sportello e superfici di tenuta danneggiate, cardini dello sportello e dispositivi di bloccaggio rotti o allentati, ammaccature all'interno del forno o sullo sportello. In presenza di danni, non mettere in funzione il forno a microonde e contattare un tecnico qualificato dell'assistenza.

- Posizionare il forno a microonde su una superficie piana e stabile in grado di sostenere il peso del forno ed eventuali cibi molto pesanti collocati al suo interno.
- Collocare il forno a microonde ad almeno 85 cm da terra.
- Non posizionare il forno a microonde vicino a fonti di calore, umidità o materiali infiammabili.
- Per garantire il corretto funzionamento, il forno a microonde richiede un'adeguata ventilazione. Mantenere una distanza sufficiente (ca. 5 cm) dalle pareti esterne per garantire lo scambio di calore. Non coprire o bloccare le aperture presenti sul forno a microonde. Non rimuovere i piedini.
- Verificare che il cavo di collegamento non sia danneggiato e che non sia posizionato sotto il forno a microonde o su una superficie molto calda o tagliente.
- Non utilizzare il forno a microonde all'aperto.

6.2 Allacciamento elettrico del forno a microonde

- Collegare la spina di alimentazione alla rete di alimentazione alternata.
- ✓ Il display lampeggia tre volte e mostra “-: -”.

6.3 Impostazione dell'ora

- Premere il pulsante **CLOCK** per impostare l'ora.
- ✓ Il display mostra 00:00.
- Premere i pulsanti **+** o **-** per impostare l'ora.
- Premere il pulsante **CLOCK**.
- Premere i pulsanti **+** o **-** per impostare i minuti.
- Premere il pulsante **CLOCK** o attendere 5 secondi per salvare l'ora.

7 Uso del forno a microonde



NOTA

Un forno a microonde nuovo può generare odori a causa dei residui di produzione. Aerare il locale quando si utilizza il forno a microonde le prime volte. Si consiglia di riscaldare una tazza d'acqua ad alta potenza più volte per eliminare gli odori.

7.1 Informazioni sulla cottura di alimenti

- Disporre con cura gli alimenti. Posizionare le parti più spesse verso l'esterno del piatto.
- Osservare il tempo di cottura. Cuocere per il minor tempo di cottura indicato e se necessario aumentarlo. Se cotti eccessivamente, gli alimenti possono produrre fumo o prendere fuoco.
- Coprire i cibi durante la cottura. I coperchi evitano schizzi e garantiscono una cottura omogenea.
- Durante la cottura girare una volta cibi come polli o hamburger. Girare almeno una volta i cibi più grandi, come ad esempio gli arrostiti.
- Cambiare la posizione di cibi, come le polpette, a metà del tempo di cottura capovolgendoli e spostandoli dal centro del piatto verso l'esterno.

7.2 Informazioni sulle stoviglie

- Il materiale idoneo per l'uso nel forno a microonde è permeabile alle microonde in modo che queste ultime possano attraversare il contenitore e riscaldare gli alimenti.
- Poiché le microonde non riescono a penetrare il metallo, è sconsigliabile utilizzare stoviglie in metallo o con bordi metallici.
- Non utilizzare prodotti a base di carta riciclata per la cottura a microonde perché potrebbero contenere piccoli frammenti metallici e generare così scintille e/o incendi.
- Preferire i piatti rotondi/ovalati a quelli di forma quadrata/oblunga, perché gli alimenti tendono a cuocere eccessivamente negli angoli.

L'elenco seguente vale come guida generale per la scelta delle stoviglie appropriate.

Stoviglie	adatte per forni a microonde
Vetro termoresistente	Sì
Vetro non termoresistente	No
Ceramica termoresistente	Sì
Stoviglie in plastica adatte per forni a microonde	Sì
Pellicola di plastica	Sì (solo a bassa potenza)
Ciotole di metallo	No
Griglie metalliche	No
Pellicola di alluminio e vaschette in alluminio	No
Stoviglie in bambù	No
Stoviglie di cartone	No

7.3 Cottura



NOTA

- È possibile impostare un tempo massimo di cottura di 60 minuti.
- È possibile impostare la potenza del forno a microonde e il tempo di cottura in qualsiasi sequenza (ad es. prima il tempo di cottura, poi la potenza del forno a microonde o viceversa).
- Alla massima potenza, dopo qualche tempo il forno a microonde riduce la potenza per aumentare la durata del forno a microonde.
- Forare gli alimenti con buccia dura quali patate, zucche intere, mele e castagne prima di riscaldarli con il forno a microonde.

- Inserire gli alimenti nel forno a microonde e chiudere lo sportello.
- Se necessario, premere ripetutamente il pulsante **POWER** per selezionare la potenza del forno a microonde richiesta:

100P	Potenza microonde 100%; riscaldamento rapido degli alimenti
80P	Potenza microonde 80%; riscaldamento degli alimenti
60P	Potenza microonde 60%; cottura a vapore degli alimenti
40P	Potenza microonde 40%; scongelamento degli alimenti
20P	Potenza microonde 20%; mantenimento al caldo degli alimenti

- Premere i pulsanti **+** o **-** per impostare il tempo di cottura.
- Premere il pulsante **INSTANT/START**.
- ✓ Al termine del tempo di cottura impostato, il display visualizza "End". Viene emesso un segnale acustico per tre volte consecutive se non è stato ancora aperto lo sportello del forno a microonde.

**AVVERTENZA! Pericolo di ustioni dovute ad alimenti riscaldati!**

Utilizzare presine adeguate per estrarre gli alimenti dal forno a microonde.

- Aprire lo sportello ed estrarre gli alimenti riscaldati.

**NOTA**

Il segnale acustico viene ripetuto ogni tre minuti fintanto che lo sportello è aperto.

Apertura dello sportello durante la cottura

Aprendo lo sportello viene interrotto il processo di cottura. Sul display viene visualizzato il tempo rimanente.

Proseguire l'operazione di cottura nel seguente modo:

- Chiudere la porta.
- Premere il pulsante **INSTANT/START**.

7.4 Riscaldamento di liquidi (modalità di funzionamento EXPRESS)

- Inserire gli alimenti nel forno a microonde e chiudere lo sportello.
- Se necessario, premere ripetutamente il pulsante **EXPRESS** per selezionare il tempo di cottura richiesto di 0:30, 1:00 o 1:30.
- Premere il pulsante **INSTANT/START**.
- ✓ Al termine del tempo di cottura impostato, il display visualizza "End". Viene emesso un segnale acustico per tre volte consecutive se non è stato ancora aperto lo sportello del forno a microonde.

**AVVERTENZA! Pericolo di ustioni dovute ad alimenti riscaldati!**

Utilizzare presine adeguate per estrarre gli alimenti dal forno a microonde.

- Aprire lo sportello ed estrarre gli alimenti riscaldati.



NOTA

Il segnale acustico viene ripetuto ogni tre minuti fintanto che lo sportello è aperto.

7.5 Scongelamento (modalità di funzionamento DEFROST)

- Inserire gli alimenti nel forno a microonde e chiudere lo sportello.
- Premere il pulsante **DEFROST** e inserire il tipo di alimento in base alla tabella seguente:

d.1 Scongelare la carne (da 0,1 a 2,0 kg)

d.2 Scongelare il pollame (da 0,2 a 3,0 kg)

d.3 Scongelare il pesce (da 0,1 a 0,9 kg)

- Premere i pulsanti **+** o **-** per impostare il peso.
- Premere il pulsante **INSTANT/START** per avviare il programma di scongelamento.
- ✓ Al termine del programma di scongelamento, il display visualizza "End" e vengono emessi tre segnali acustici consecutivi.



NOTA

I tempi di scongelamento riportati sono indicativi. L'effettivo tempo di scongelamento necessario dipende dal tipo e dal contenuto di acqua degli alimenti (carne, pesce, verdura, frutta, pane ecc.). Più è elevato il contenuto di acqua negli alimenti, più tempo è necessario per lo scongelamento. Per ripartire il calore in modo uniforme, girare o ruotare gli alimenti durante l'operazione di scongelamento.

7.6 Riscaldamento di alimenti specifici (modalità di funzionamento COOK)

- Inserire gli alimenti nel forno a microonde e chiudere lo sportello.
- Se necessario, premere ripetutamente il pulsante **COOK** per selezionare l'alimento specifico:

A.1	Popcorn 85 g	Per una classica confezione di popcorn per forno a microonde da 85 g. Premere il pulsante PAUSE/CANCEL quando i chicchi di popcorn scoppiano fra loro a un intervallo di 1-2 secondi.
A.2	Popcorn 100 g	Come per A.1, per confezioni da 100 g.
A.3	Pizza	Per scaldare 1 pezzo di pizza surgelata (0,15 kg).
A.4	Bevande 250 ml	Per una tazza contenente 250 ml di liquido a una temperatura di circa 5 - 10 °C. Utilizzare una tazza larga. Non coprire la tazza.
A.5	Bevande 500 ml	Come per A.4, per una tazza con 500 ml di liquido.
A.6	Patate	Cuocere patate a bastoncino (tagliate a pezzi larghi 5 mm). Per una quantità totale di 0,45 kg. Distribuire le patate su un piatto largo. Coprire le patate con una pellicola adatta per evitare che secchino.
A.7	Patate	Come per A.6, per una quantità totale di 0,65 kg.
A.8	Pesce	Per cuocere il pesce delicatamente. Per una quantità totale di 0,45 kg. Creare delle incisioni nel pesce preparato. Disporre il pesce su un piatto largo, condirlo e coprirlo con una pellicola di plastica adatta per evitare che si secchi. Lasciar riposare il pesce per 2 minuti dopo la cottura.

- Premere il pulsante **INSTANT/START**.
- ✓ Al termine del tempo di cottura impostato, il display visualizza "End". Viene emesso un segnale acustico per tre volte consecutive se non è stato ancora aperto lo sportello del forno a microonde.



AVVERTENZA! Pericolo di ustioni dovute ad alimenti riscaldati!

Utilizzare presine adeguate per estrarre gli alimenti dal forno a microonde.

**NOTA**

I programmi di cottura automatici specificati si basano su valori indicativi. L'effettivo tempo di cottura necessario dipende dalla temperatura, dal tipo e dal peso degli alimenti. È possibile regolare la potenza del microonde e il tempo di cottura in più fasi in base alle esigenze (vedere capitolo "Impostazione del programma di cottura a più fasi" a pagina 96).

- Aprire lo sportello ed estrarre gli alimenti riscaldati.

**NOTA**

Il segnale acustico viene ripetuto ogni tre minuti fintanto che lo sportello è aperto.

7.7 Impostazione del programma di cottura a più fasi

È possibile impostare la potenza del microonde e il tempo di cottura fino a 4 fasi in base alle proprie esigenze.

Esempio di programma di cottura a 2 fasi: si desidera cuocere una pietanza a 100P per 3 minuti, quindi a 20P per 9 minuti.

- Inserire gli alimenti nel forno a microonde e chiudere lo sportello.
- Se necessario, premere ripetutamente il pulsante **POWER** per selezionare la potenza del forno a microonde richiesta di 100P.
- Premere i pulsanti **+ o -** per impostare il tempo di cottura su 3:00 (3 minuti).
- Se necessario, premere ripetutamente il pulsante **POWER** per selezionare la potenza del forno a microonde richiesta di 20P.
- Premere i pulsanti **+ o -** per impostare il tempo di cottura su 9:00 (9 minuti).
- Premere il pulsante **INSTANT/START**.

7.8 Programmazione del timer

La funzione di timer consente di impostare un orario preferito per avviare il funzionamento del microonde.

Esempio di impostazione della funzione timer: sono le ore 12:30. Alle 14:30 si desidera cuocere una pietanza a 100P per 3 minuti.

- Inserire gli alimenti nel forno a microonde e chiudere lo sportello.
- Premere il pulsante **CLOCK** per impostare l'ora.

- ✓ Il display mostra 00:00.
- Premere i pulsanti **+** o **-** per impostare l'ora alle 12:00.
- Premere il pulsante **CLOCK**.
- Premere i pulsanti **+** o **-** per impostare i minuti alle 12:30.
- Premere nuovamente il pulsante **CLOCK**.
- Se necessario, premere ripetutamente il pulsante **POWER** per selezionare la potenza del forno a microonde richiesta di 100P:
- Premere i pulsanti **+** o **-** per impostare il tempo di cottura su 3:00 (3 minuti)
- Premere il pulsante **PRESET** per impostare il timer.
- Premere i pulsanti **+** o **-** per impostare l'ora alle 14:00.
- Premere il pulsante **PRESET**.
- Premere i pulsanti **+** o **-** per impostare i minuti alle 14:30.
- Premere nuovamente il pulsante **PRESET** per salvare l'impostazione del timer.
- ✓ Il forno a microonde si avvia all'ora impostata.

È possibile controllare il funzionamento del timer premendo il pulsante **PRESET**. Il display mostra l'ora di avvio preimpostata.

7.9 Blocco dei pulsanti

È possibile impostare il blocco dei pulsanti come funzione di sicurezza bambini.

- Per attivare il blocco dei pulsanti, tenere premuto il pulsante **PAUSE/CANCEL** per 3 secondi.
- Per disattivare il blocco dei pulsanti, tenere premuto il pulsante **PAUSE/CANCEL** per 3 secondi.

8 Pulizia e cura

- Prima di pulire l'apparecchio, spegnerlo ed estrarre la spina di alimentazione.
- Non utilizzare agenti abrasivi per pulire l'apparecchio.
- Tenere pulito il vano interno del forno a microonde. Pulire con un panno umido eventuali residui di cibo, spruzzi o fuoriuscite di liquido sulle pareti del forno a microonde. Se il forno è molto sporco è possibile utilizzare un detergente delicato. Evitare l'uso di spray o di altri detergenti aggressivi in quanto potrebbero macchiare, rigare o rendere opache le superfici dello sportello.
- Pulire le superfici esterne con un panno umido. Per evitare danni alle parti in funzione all'interno del forno a microonde, impedire che l'acqua penetri nelle aperture di aerazione.
- Pulire regolarmente lo sportello, le guarnizioni dello sportello e le parti adiacenti con un panno umido per eliminare eventuali spruzzi o tracce di sporco.
- Evitare che il pannello di controllo si bagni. Pulirlo con un panno morbido e umido. Quando si pulisce il pannello di controllo, lasciare aperto lo sportello del forno per impedire una sua riaccensione involontaria.
- Se si accumula del vapore all'interno oppure all'esterno dello sportello, pulire lo sportello con un panno morbido. Ciò è normale e può accadere quando il forno a microonde viene fatto funzionare in presenza di forte umidità.
- Per eliminare gli odori dal forno, mettere una tazza di acqua con il succo e la buccia di un limone in una ciotola fonda adatta per forni a microonde e accendere il forno a microonde per 5 minuti. Pulire accuratamente e asciugare con un panno morbido.
- Far sostituire un'eventuale lampadina del forno guasta da un rivenditore specializzato.
- Il forno a microonde deve essere pulito regolarmente e gli eventuali residui di cibo devono essere rimossi. Se l'apparecchio non viene tenuto pulito, la superficie può danneggiarsi con conseguenti effetti negativi sulla durata del forno.

9 Ricerca guasti

Guasto	Soluzione
Il forno a microonde non funziona.	Controllare che il forno a microonde sia correttamente collegato. Se il forno non è correttamente collegato, estrarre la spina, attendere 10 secondi e collegare correttamente il forno a microonde.
	Controllare che non vi siano fusibili bruciati o interruttori di sicurezza scattati. Se il funzionamento è corretto, controllare che la presa funzioni regolarmente utilizzando un altro apparecchio.
	Assicurarsi che il forno a microonde e il tempo di cottura siano impostati correttamente.
	Verificare che lo sportello sia chiuso correttamente. Altrimenti le microonde non raggiungono il vano interno del forno a microonde.

10 Garanzia

Vale il termine di garanzia previsto dalla legge. Qualora il prodotto risultasse difettoso, La preghiamo di rivolgersi alla filiale del produttore del suo Paese (l'indirizzo si trova sul retro del manuale di istruzioni), oppure al rivenditore specializzato di riferimento.

Per la riparazione e per il disbrigo delle condizioni di garanzia è necessario inviare la seguente documentazione:

- una copia della fattura con la data di acquisto del prodotto,
- un motivo su cui fondare il reclamo, oppure una descrizione del guasto.

11 Smaltimento

- ▶ Raccogliere il materiale di imballaggio possibilmente negli appositi contenitori di riciclaggio.



Quando il prodotto viene messo fuori servizio definitivamente, informarsi al centro di riciclaggio più vicino, oppure presso il proprio rivenditore specializzato, sulle prescrizioni adeguate concernenti lo smaltimento.

12 Specifiche tecniche

	MWO 240
N. articolo	9600008377
Tensione nominale:	230 V $\overline{\text{~}}$, 50 Hz
Potenza forno a microonde:	700 W
Frequenza forno a microonde:	2450 MHz
Dimensioni esterne H x L x P:	283 x 451 x 353 mm
Dimensioni vano interno H x L x P:	181,5 x 303 x 321 mm
Capienza:	17 litri
Peso:	11,5 kg

Lees deze handleiding voor de ingebruikneming zorgvuldig door en bewaar hem. Geef de handleiding bij het doorgeven van het product aan de gebruiker.

Inhoudsopgave

1	Verklaring van de symbolen	101
2	Veiligheidsaanwijzingen	102
3	Omvang van de levering	104
4	Beoogd gebruik	104
5	Technische beschrijving	105
6	De magnetron aansluiten en instellen	106
7	De magnetron bedienen	107
8	Reiniging en onderhoud	114
9	Verhelpen van storingen	115
10	Garantie	115
11	Afvoer	116
12	Technische gegevens	116

1 Verklaring van de symbolen



WAARSCHUWING!

Veiligheidsaanwijzing: Het niet naleven kan leiden tot overlijden of ernstig letsel.



VOORZICHTIG!

Veiligheidsaanwijzing: Het niet naleven kan leiden tot letsel.



LET OP!

Het niet naleven ervan kan leiden tot materiële schade en de werking van het product beperken.

**INSTRUCTIE**

Aanvullende informatie voor het bedienen van het product.

2 Veiligheidsaanwijzingen

**WAARSCHUWING!**

- Gebruik dit toestel alleen voor het beoogde gebruik zoals beschreven in deze handleiding.
- Gebruik geen corrosieve chemicaliën in dit toestel.
- Het toestel niet gebruiken, als het leeg is.
- Neem dit toestel niet in gebruik
 - wanneer kabels of stekkers beschadigd zijn
 - wanneer het niet correct werkt
 - wanneer het beschadigd is of gevallen.
- Als de aansluitkabel van dit toestel beschadigd is, moet deze, om gevaren te vermijden, door de fabrikant of de klantenservice of een gelijkwaardig gekwalificeerd persoon worden vervangen.
- Dit toestel kan door kinderen vanaf 8 jaar en ouder en door personen met verminderde fysieke, zintuiglijke of geestelijke vermogens of tekortschietende ervaring en kennis gebruikt worden, als ze onder toezicht staan of als hun is uitgelegd hoe ze het toestel veilig kunnen gebruiken. Ook dienen ze inzicht te hebben in de gevaren die het gebruik van het toestel met zich meebrengt.
- Reiniging en gebruikeronderhoud mogen niet door kinderen zonder begeleiding worden uitgevoerd.
- Dit toestel is niet bedoeld voor gebruik door personen (inclusief kinderen) met beperkte fysieke, zintuiglijke of geestelijke vaardigheden of onvoldoende ervaring en kennis zonder passend toezicht of uitvoerige instructie betreffende gebruik van het toestel door een voor de veiligheid verantwoordelijke persoon.
- Kinderen moeten onder toezicht staan om te garanderen dat ze niet met het toestel spelen.
- Bewaar en gebruik het toestel buiten het bereik van kinderen onder 8 jaar.

- Om brandgevaar in de magnetron te reduceren:
 - Controleer de magnetron bij het verwarmen van levensmiddelen in houders van kunststof of papier op mogelijke ontsteking.
 - Verwijder draden van papieren of kunststof verpakkingen die geschikt zijn voor magnetrons, alvorens ze in de magnetron te leggen.
 - Schakel het toestel bij rookontwikkeling uit, of trek de stekker eruit. Houd de deur gesloten om eventuele vlammen te doven.
 - Gebruik de binnenruimte niet als opslag. Laat papieren producten, kookgerei of levensmiddelen niet in de magnetron, als u deze niet gebruikt.
- De geschiktheid van kookgerei voor magnetrons moet worden gecontroleerd.
- De magnetron mag uitsluitend door gekwalificeerd vakpersoneel worden gerepareerd. Het is gevaarlijk voor niet-opgeleide personen om service- of reparatiewerkzaamheden uit te voeren waarbij afdekkingen moeten worden verwijderd omdat deze tegen straling beschermen.



VOORZICHTIG!

- Vloeibare of andere levensmiddelen mogen niet in afgesloten houders worden verwarmd, omdat ze kunnen exploderen.
- Het verwarmen van vloeistoffen kan leiden tot vertraagd omhoog spuiten; behandel de houders dus voorzichtig.
- Geen levensmiddelen in de magnetron braden. Hete olie kan de oven en het kookgerei beschadigen en leiden tot huidverbrandingen.
- Eieren met schaal en hardgekookte eieren mogen niet in de magnetron worden verhit omdat ze ook na het verwarmen nog kunnen exploderen.
- De inhoud van babyflesjes en babyglazen moet worden geroerd of geschud en de temperatuur voor gebruik worden gecontroleerd om verbrandingen te voorkomen.
- Kookgerei kan heet worden door de warmte uit verwarmde levensmiddelen. Gebruik eventueel pannenlappen.
- Gevaar voor brandwonden! Alle oppervlakken, inclusief de toesteldeur, kunnen heet worden tijdens het gebruik. Houd kleine kinderen uit de buurt van het toestel. De verwarmingselementen in het toestel kunnen heet blijven na gebruik. Raak de verwarmingselementen in het toestel niet aan.

- Gebruik de magnetron niet met geopende deur, omdat dit kan leiden tot schadelijke inwerking door microgolven. De veiligheidsinrichtingen mogen niet worden overbrugd of gemanipuleerd.
- Plaats niets tussen de voorzijde van de magnetron en de deur.
- Verwijder resten van reinigingsmiddelen die zich kunnen opstapelen op afdichtvlakken.
- Gebruik het toestel niet, als het beschadigd is. Het is bijzonder belangrijk dat de magnetrondeur juist sluit, en geen beschadiging voorhanden is aan
 - de deur (verbogen),
 - scharnieren en vergrendelingen (gebroken of los),
 - deurafdichtingen en afdichtvlakken.
- Bedien de magnetron niet tijdens rijden.
- Gebruik de magnetron niet als opbergruimte (bijvoorbeeld voor kleding).

**LET OP!**

- Vergelijk de spanning op het typeplaatje met de aanwezige energietoevoer.

3 Omvang van de levering

- Magnetron
- Gebruiksaanwijzing

4 Beoogd gebruik

De magnetron is ontworpen voor opstelling in campers of caravans. Het toestel is geschikt voor het ontdooien en verwarmen van levensmiddelen gedurende korte periodes van maximaal 60 minuten. Deze magnetronsoort is speciaal ontworpen om te verwarmen of mee te koken. Hij is niet bedoeld voor industrie- of laboratoriumgebruik.

De magnetron is ontworpen voor aansluiting op het wisselstroomnet.

5 Technische beschrijving

De magnetron bestaat uit de volgende componenten en bedienelementen:

Componenten

Item in afb. 1, pagina 3	Toelichting
1	Bedieningspaneel
2	Deuropener
3	Keramische plaat
4	Deurvergrendeling
5	Magnetronvenster

Bedieningselementen

Item in afb. 2, pagina 3	Toelichting
1	Display voor de weergave van gaartijd, vermogen en actuele tijd
2	POWER Selecteren van het gewenste magnetronvermogen 100P, 80P, 60P, 40P, 20P
3	EXPRESS Selecteren van de bedrijfsmodus EXPRESS: 0:30, 1:00 of 1:30
4	COOK Selecteren van de bedrijfsmodus COOK
5	DEFROST Selecteren van de bedrijfsmodus DEFROST om bevroren levensmiddelen te ontdooien
6	CLOCK Instellen van de tijd
7	PRESET Instellen van de tijdschakelklok
8	INSTANT/START Starten of stoppen van het actuele gaar- of ontdooiprogramma
9	PAUSE/CANCEL Annuleren tijdens instellingen tijdens gebruik: 1x indrukken: gebruik pauzeren, 2x indrukken: gebruik beëindigen

Item in afb. 2, pagina 3		Toelichting
10	–	Instellen van de gaartijd tijdens gebruik: verminderen van de gaartijd of het gewicht tijdens het gebruik
11	+	Instellen van de gaartijd tijdens gebruik: verlengen van de gaartijd of verhogen van het gewicht tijdens het gebruik
12		Deuropener

6 De magnetron aansluiten en instellen

6.1 De magnetron opstellen

Neem de volgende instructies bij het opstellen in acht:

- Controleer of alle verpakkingsmaterialen van de binnenzijde van de deur verwijderd zijn.
- Controleer de magnetron op beschadiging zoals een onjuist uitgelijnde of verbogen deur, beschadigde deurafdichtingen en afdichtvlakken, gebroken of losse deurscharnieren en vergrendelingen en deuken aan de binnenzijde van de holle ruimte of in de deur. Het toestel niet gebruiken bij vastgestelde schade. Raadpleeg gekwalificeerd servicepersoneel.
- De magnetron moet op een effen, stabiel vlak worden opgesteld om het eigen gewicht en de zwaarste voedingsmiddelen te kunnen houden.
- Plaats de magnetron ten minste 85 cm boven de grond.
- Plaats de magnetron niet in de buurt van hitte, vochtigheid, hoge luchtvochtigheid of ontvlambare materialen.
- Voor correct bedrijf van de magnetron moet voor voldoende luchttoevoer worden gezorgd. Houd voldoende afstand (ca. 5 cm) tot de buitenwanden, zodat voldoende warmtewisseling kan plaatsvinden. Dek openingen van de magnetron niet af en blokkeer deze niet. De voeten mogen niet worden verwijderd.
- Controleer of de aansluitkabel onbeschadigd is en niet onder de magnetron of boven een heet of scherp oppervlak verloopt.
- Gebruik de magnetron niet buiten.

6.2 De magnetron elektrisch aansluiten

- ▶ Sluit de voedingsstekker aan op het wisselstroomnet.
- ✓ De display knippert drie keer en geeft „-“ weer.

6.3 De tijd instellen

- ▶ Druk op de toets **CLOCK** om de tijd in te stellen.
- ✓ De display toont 00:00.
- ▶ Druk op de toetsen **+** of **-** om het uur in te stellen.
- ▶ Druk op de toets **CLOCK**.
- ▶ Druk op de toetsen **+** of **-** om de minuten in te stellen.
- ▶ Druk op de toets **CLOCK** of wacht 5 seconden om de tijd op te slaan.

7 De magnetron bedienen



INSTRUCTIE

Een nieuwe magnetron kan geuren verspreiden door productieresten. Verlucht de leefruimte de eerste paar keren dat de magnetron wordt gebruikt. Aanbevolen wordt om meerdere keren een kopje water te verwarmen bij hoog vermogen om geuren te verdrijven.

7.1 Informatie over het garen van levensmiddelen

- Positioneer de levensmiddelen op juiste wijze. Positioneer de dikste bereiken naar buiten.
- Neem de gaartijd in acht. Gaar met de kortste gaartijd, en verleng de gaartijd indien nodig. Te lang gegaarde levensmiddelen kunnen rook produceren of vuur vatten.
- Dek de levensmiddelen tijdens het garen af. Afdekkingen voorkomen spatten en zorgen voor gelijkmatig garen.
- Draai levensmiddelen zoals kip of hamburgers een keer tijdens het garen. Grote levensmiddelen zoals braadvlees moeten minstens een keer worden gedraaid.
- Herpositioneer levensmiddelen zoals gehaktballetjes na de helft van de tijd van boven naar beneden en van het midden naar buiten.

7.2 Informatie over kookgerei

- Het ideale materiaal voor een magnetron is doorlaatbaar voor microgolven zodat de energie door de houder kan dringen en de levensmiddelen kan verwarmen.
- Microgolven kunnen niet door metaal dringen zodat metaal niet mag worden gebruikt.
- Gebruik geen gerecyclede papieren producten voor het garen in de magnetron, omdat ze kleine metaaldeeltjes kunnen bevatten die vonken en/of brand kunnen veroorzaken.
- Rond/ovaal kookgerei is beter geschikt dan vierkant/lang kookgerei omdat levensmiddelen in de hoeken kunnen oververhitten.

De volgende lijst dient als richtlijn voor geschikt kookgerei:

Kookgerei	Geschikt voor magnetrons
Hittebestendig glas	Ja
Niet-hittebestendig glas	Nee
Hittebestendige keramiek	Ja
Voor magnetron geschikt kunststof kookgerei	Ja
Plasticfolie	Ja (alleen bij laag vermogen)
Metalen schaal	Nee
Metalen onderstel	Nee
Aluminiumfolie en aluminiumfoliehouder	Nee
Bamboe tafelgerei	Nee
Kartonnen tafelgerei	Nee

7.3 Garen



INSTRUCTIE

- U kunt een maximale gaartijd van 60 minuten instellen.
- U kunt het magnetronvermogen en de gaartijd in willekeurige volgorde instellen (bijvoorbeeld de gaartijd eerst en daarna het magnetronvermogen of omgekeerd).
- Bij maximaal magnetronvermogen vermindert de eenheid het vermogen na een tijdje om de levensduur van de magnetron te verlengen.
- Prik voor het verwarmen een opening in levensmiddelen met harde schillen zoals aardappelen, appels en kastanjes.

- Plaats de levensmiddelen in de magnetron en sluit de deur.
- Druk eventueel herhaaldelijk op de toets **POWER** om het vereiste magnetronvermogen te selecteren:

100P	100% magnetronvermogen; levensmiddelen snel verwarmen
------	---

80P	80% magnetronvermogen; levensmiddelen verwarmen
-----	---

60P	60% magnetronvermogen; levensmiddelen stomen
-----	--

40P	40% magnetronvermogen; levensmiddelen ontdooien
-----	---

20P	20% magnetronvermogen; levensmiddelen warm houden
-----	---

- Druk op de toetsen **+** of **-** om de gaartijd in te stellen.
- Druk op de toets **INSTANT/START**.
- ✓ Na afloop van de ingestelde gaartijd toont de display „End”. Een signaaltoon klinkt drie keer als de deur van de magnetron nog niet werd geopend.



WAARSCHUWING! Verbrandingsgevaar door verhitte levensmiddelen!

Gebruik geschikte pannenlappen om verhitte levensmiddelen uit de magnetron te nemen.

- Open de deur en neem de verhitte levensmiddelen eruit.



INSTRUCTIE

De signaaltoon wordt elke drie minuten herhaald tot de deur wordt geopend.

De deur openen tijdens garen

Door de deur te openen wordt de gaarprocedure stopgezet. De display toont de resttijd.

Zet de gaarprocedure als volgt voort:

- Sluit de deur.
- Druk op de toets INSTANT/START.

7.4 Vloeistoffen verwarmen (EXPRESS bedrijfsmodus)

- Plaats de levensmiddelen in de magnetron en sluit de deur.
- Druk indien nodig herhaaldelijk op de toets **EXPRESS** om de vereiste gaartijd van 0:30, 1:00 of 1:30 te selecteren.
- Druk op de toets **INSTANT/START**.
- ✓ Na afloop van de ingestelde gaartijd toont de display „End”. Een signaaltoon klinkt drie keer als de deur van de magnetron nog niet werd geopend.



WAARSCHUWING! Verbrandingsgevaar door verhitte levensmiddelen!

Gebruik geschikte pannenlappen om verhitte levensmiddelen uit de magnetron te nemen.

- Open de deur en neem de verhitte levensmiddelen eruit.



INSTRUCTIE

De signaaltoon wordt elke drie minuten herhaald tot de deur wordt geopend.

7.5 Ontdooien (DEFROST bedrijfsmodus)

- Plaats de levensmiddelen in de magnetron en sluit de deur.
- Druk op de toets **DEFROST** en voer het type levensmiddelen in volgens de volgende tabel:

d.1	Vlees ontdooien (0,1 tot 2,0 kg)
d.2	Gevogelte ontdooien (0,2 tot 3,0 kg)
d.3	Vis ontdooien (0,1 tot 0,9 kg)

- Druk op de toetsen **+** of **-** om het gewicht in te stellen.

- Druk op de toets **INSTANT/START** om het ontdooiprogramma te starten.
- ✓ Na beëindiging van het ontdooiprogramma toont de display „End“ en klinkt drie keer achtereenvolgens een signaaltoon.



INSTRUCTIE

De vermelde ontdooitijden zijn richtwaarden. De werkelijke ontdooitijd hangt af van het type en het watergehalte van het levensmiddel (vlees, vis, groente, fruit, brood etc.). Hoe hoger het watergehalte van het levensmiddel, hoe meer tijd voor het ontdooien nodig is. Om de warmte gelijkmatig te verdelen, de levensmiddelen tijdens ontdooien wend en omdraaien.

7.6 Specifieke gerechten verwarmen (COOK bedrijfsmodus)

- Plaats de levensmiddelen in de magnetron en sluit de deur.
- Druk eventueel herhaaldelijk op de toets **COOK** om het gewenste gerecht te selecteren:

A.1	Popcorn 85 g	Voor een doorsnee pak popcorn voor de magnetron met een verpakking van 85 g. Druk op de toets PAUSE/CANCEL indien nog maar 1 korrel maïs per 1 tot 2 seconden ploft.
A.2	Popcorn 100 g	Zoals voor A.1, voor een verpakking van 100 g.
A.3	Pizza	Verwarm 1 stuk bevroren pizza (0,15 kg).
A.4	Drank 250 ml	Voor een kopje met 250 ml vloeistof bij een temperatuur van ongeveer 5 tot 10 °C. Gebruik een breed kopje. Het kopje niet bedekken.
A.5	Drank 500 ml	Zoals voor A.4, voor een kopje met 500 ml vloeistof.
A.6	Aardappelen	Aardappelreepjes garen (gesneden in stukken van 5 mm breed). Voor een massa van 0,45 kg. Leg de reepjes verspreid op een grote plaat. Bedek de aardappelen met geschikt plasticfolie om uitdrogen te voorkomen.
A.7	Aardappelen	Zoals voor A.6, voor een massa van 0,65 kg.

A.8	Vis	Om vis geleidelijk te garen. Voor een massa van 0,45 kg. Snij gleuven in de voorbereide vis. Leg de vis op een grote plaat, kruid de vis en bedek de vis met geschikt plasticfolie om uitdrogen te voorkomen. Laat de vis na het garen 2 minuten rusten.
-----	-----	--

- Druk op de toets **INSTANT/START**.
- ✓ Na afloop van de ingestelde gaartijd toont de display „End“. Een signaaltoon klinkt drie keer als de deur van de magnetron nog niet werd geopend.



WAARSCHUWING! Verbrandingsgevaar door verhitte levensmiddelen!

Gebruik geschikte pannenlappen om verhitte levensmiddelen uit de magnetron te nemen.



INSTRUCTIE

De specifieke automatische gaarprogramma's zijn gebaseerd op richtwaarden. De vereiste feitelijke gaartijd hangt af van de temperatuur, het type en het gewicht van de levensmiddelen. U kunt het magnetronvermogen en de gaartijd in verschillende trappen aan uw behoeften aanpassen (zie hoofdstuk „Het meertraps gaarprogramma instellen“ op pagina 112).

- Open de deur en neem de verhitte levensmiddelen eruit.



INSTRUCTIE

De signaaltoon wordt elke drie minuten herhaald tot de deur wordt geopend.

7.7 Het meertraps gaarprogramma instellen

U kunt het magnetronvermogen en de gaartijd in maximaal 4 trappen aanpassen aan uw behoeften.

Voorbeeld van een 2-traps gaarprogramma: u wilt een gerecht 3 minuten garen op 100P, daarna 9 minuten op 20P.

- Plaats de levensmiddelen in de magnetron en sluit de deur.
- Druk eventueel herhaaldelijk op de toets **POWER** tot het vereiste magnetronvermogen van 100P geselecteerd is.
- Druk op de toetsen **+** of **-** om de gaartijd in te stellen op 3:00.

- Druk eventueel herhaaldelijk op de toets **POWER** tot het vereiste magnetronvermogen van 20P geselecteerd is.
- Druk op de toetsen **+** of **-** om de gaartijd in te stellen op 9:00.
- Druk op de toets **INSTANT/START**.

7.8 De tijdschakelklok programmeren

Met de tijdschakelklok-functie kunt u een gewenste tijd instellen om de magnetron te gebruiken.

Een voorbeeld van het instellen van de tijdschakelklok-functie: het is 12:30 pm. Om 2:30 pm wilt u gedurende 3 minuten een gerecht op 100P garen.

- Plaats de levensmiddelen in de magnetron en sluit de deur.
- Druk op de toets **CLOCK** om de tijd in te stellen.
- ✓ De display toont 00:00.
- Druk op de toetsen **+** of **-** om het uur op 12:00 pm in te stellen.
- Druk op de toets **CLOCK**.
- Druk op de toetsen **+** of **-** om de minuten op 12:30 pm in te stellen.
- Druk opnieuw op de toets **CLOCK**.
- Druk eventueel herhaaldelijk op de toets **POWER** tot het vereiste magnetronvermogen van 100P geselecteerd is.
- Druk op de toetsen **+** of **-** om de gaartijd in te stellen op 3 minuten.
- Druk op de toets **PRESET** om de tijdschakelklok in te stellen.
- Druk op de toetsen **+** of **-** om het uur op 2:00 pm in te stellen.
- Druk op de toets **PRESET**.
- Druk op de toetsen **+** of **-** om de minuten op 2:30 pm in te stellen.
- Druk opnieuw op de toets **PRESET** om de tijdschakelklokinstelling op te slaan.
- ✓ De magnetron start op de ingestelde tijd.

U kunt de tijdschakelklokfunctie controleren door op de toets **PRESET** te drukken. De display toont de vooringestelde tijd.

7.9 De toetsen vergrendelen

U kunt een toetsvergrendeling instellen als kinderbeveiliging.

- Om de toetsvergrendeling te activeren, houdt u de toets **PAUSE/CANCEL** gedurende 3 seconden ingedrukt.
- Om de toetsvergrendeling te deactiveren, houdt u de toets **PAUSE/CANCEL** gedurende 3 seconden ingedrukt.

8 Reiniging en onderhoud

- Schakel het toestel uit en trek de stekker er voor de reiniging uit.
- Gebruik voor de reiniging van het toestel geen schuurmiddelen.
- Houd de binnenzijde van de magnetron schoon. Wis weggespat eten of gemorste vloeistoffen op de wanden van de magnetron weg met een vochtige doek. Gebruik een mild reinigingsmiddel, indien de magnetron zeer vuil is. Vermijd gebruik van spray en andere scherpe reinigingsmiddelen omdat deze vlekken, strepen of matte oppervlakken op de deur kunnen veroorzaken.
- De buitenvlakken moeten met een vochtige doek worden gereinigd. Om beschadiging van de componenten in de magnetron te voorkomen mag het water niet direct in de ventilatieopeningen dringen.
- Wis de deur, de deurafdichtingen en aangrenzende delen regelmatig schoon met een vochtige doek om vuil en spatten te verwijderen.
- Voorkom dat het bedieningsveld nat wordt. Reinig het met een zachte, vochtige doek. Laat de deur open om de magnetron niet onbedoeld in te schakelen.
- Als zich vocht aan de binnen- of buitenzijde van de deur heeft verzameld, maak deze dan droog met een zachte doek. Dit kan gebeuren als de magnetron onder zeer vochtige omstandigheden wordt gebruikt en is normaal.
- Geurtjes in de magnetron kunnen door een glas water met het sap en de schil van een citroen worden verwijderd. Vul dit in een diepe houder die is geschikt is voor gebruik in magnetrons en schakel de magnetron 5 minuten in. Droog de magnetron grondig af met een zachte doek.
- Laat een defecte magnetronlamp door een vakhandelaar vervangen.
- De magnetron moet regelmatig worden gereinigd en alle resten van levensmiddelen moeten worden verwijderd. Als het toestel niet schoon wordt gehouden, kan dit leiden tot beschadiging van de oppervlakken en verkorting van de levensduur van het toestel.

9 Verhelpen van storingen

Storing	Oplossing
De magnetron werkt niet.	<p>Controleer of de magnetron correct is aangesloten. Als deze niet correct is aangesloten, trek dan de stekker eruit, wacht 10 seconden en sluit dan de magnetron correct aan.</p> <hr/> <p>Controleer of een zekering is doorgebrand of een veiligheidsschakelaar werd geactiveerd. Als deze correct functioneren, test dan het stopcontact met een ander toestel.</p> <hr/> <p>Controleer of de magnetron en de gaartijd juist zijn ingesteld.</p> <hr/> <p>Controleer of de deur correct is gesloten. Anders zullen de microgolven de binnenruimte van de magnetron niet bereiken.</p>

10 Garantie

De wettelijke garantieperiode is van toepassing. Als het product defect is, wendt u zich tot het filiaal van de fabrikant in uw land (adressen zie achterkant van de handleiding) of tot uw speciaalzaak.

Voor de afhandeling van de reparatie of garantie dient u de volgende documenten mee te sturen:

- een kopie van de factuur met datum van aankoop,
- reden van de klacht of een beschrijving van de storing.

11 Afvoer

- Laat het verpakkingsmateriaal indien mogelijk recycelen.



Als u het product definitief buiten bedrijf stelt, informeer dan bij het dichtstbijzijnde recyclingcentrum of uw speciaalzaak naar de betreffende afvoervoorschriften.

12 Technische gegevens

	MWO 240
Artikelnr.:	9600008377
Nominale spanning:	230 V $\overline{=}$, 50 Hz
Magnetronvermogen:	700 W
Magnetronvermogen:	2450 MHz
Afmetingen buiten h x b x d:	283 x 451 x 353 mm
Afmetingen binnen h x b x d:	181,5 x 303 x 321 mm
Inhoud:	17 liter
Gewicht:	11,5 kg

Læs denne vejledning omhyggeligt igennem før ibrugtagning, og gem den. Giv den til brugeren, hvis du giver produktet videre.

Indholdsfortegnelse

1	Forklaring af symboler	117
2	Sikkerhedshenvisninger	118
3	Leveringsomfang	120
4	Korrekt brug	120
5	Teknisk beskrivelse	121
6	Tilslutning og indstilling af mikrobølgeovnen	122
7	Betjening af mikrobølgeovnen	123
8	Rengøring og vedligeholdelse	130
9	Udbedring af fejl	131
10	Garanti	131
11	Bortskaffelse	131
12	Tekniske data	132

1 Forklaring af symboler



ADVARSEL!

Sikkerhedshenvisning: Manglende overholdelse kan medføre død eller alvorlig kvæstelse.



FORSIGTIG!

Sikkerhedshenvisning: Manglende overholdelse kan medføre kvæstelser.



VIGTIGT!

Manglende overholdelse kan medføre materielle skader og begrænse produktets funktion.

**BEMÆRK**

Supplerende informationer om betjening af produktet.

2 Sikkerhedshenvisninger

**ADVARSEL!**

- Anvend kun dette apparat til den tiltænkte anvendelse som beskrevet i denne vejledning.
- Anvend ikke korrosive kemikalier i dette apparat.
- Anvend ikke apparatet, når det er tomt.
- Tag ikke dette apparat i drift
 - hvis kabler eller stik er beskadiget
 - hvis det ikke fungerer korrekt
 - hvis det er blevet beskadiget eller tabt.
- Hvis dette apparats tilslutningskabel er beskadiget, skal det udskiftes af producenten, dennes kundeservice eller en lignende kvalificeret person for at undgå farer.
- Dette apparat kan anvendes af børn over 8 år og derudover af personer med begrænsede fysiske, sanse- eller mentale evner eller uden erfaring eller viden, hvis de er under opsyn eller blev instrueret i sikker brug af apparatet og forstår farerne, der følger heraf.
- Rengøring og brugerens vedligeholdelse må ikke udføres af børn uden opsyn.
- Dette apparat er ikke beregnet til at blive anvendt af personer (inkl. børn), som har begrænsede fysiske, sanse- eller mentale evner eller er uerfarne eller uvidende, hvis der ikke er sørget for et passende opsyn eller udførlig vejledning i brugen af apparatet fra en person, der er ansvarlig for deres sikkerhed.
- Børn skal overvåges for at sikre, at de ikke leger med apparatet.
- Opbevar og anvend altid apparatet uden for børns rækkevidde (under 8 år).

- Reduktion af faren for brand i mikrobølgeovnen:
 - Ved opvarmning af fødevarer i kunststof- eller papirbeholdere skal du kontrollere mikrobølgeovnen for en mulig antændelse.
 - Fjern strimler af mikrobølgeegnede papir- eller plastikposer, før du lægger dem ind i mikrobølgeovnen.
 - Ved røgdannelse skal du slukke apparatet eller trække netstikket ud. Hold døren lukket for at kvæle evt. flammer.
 - Anvend ikke det indvendige rum som lager. Lad ikke papirprodukter, køkkenredskaber eller levnedsmidler ligge i mikrobølgeovnen, hvis du ikke anvender det.
- Det skal kontrolleres, at køkkentøj er egnet til anvendelse i mikrobølgeovnen.
- Mikrobølgeovnen må udelukkende repareres af kvalificeret fagpersonale. Det er farligt for uuddannede personer at udføre service- eller reparationsarbejder, der omfatter fjernelse af afdækninger, da de sikrer beskyttelse mod strålebelastning på grund af mikrobølgeenergi.



FORSIGTIG!

- Væsker eller andre levnedsmidler må ikke opvarmes i lukkede beholdere, da de kan eksplodere.
- Opvarmning af drikkevarer kan medføre et forsinket, pludseligt, kraftigt stænk, håndtér derfor beholderen forsigtigt.
- Steg ikke levnedsmidler i mikrobølgeovnen. Varm olie kan beskadige ovndelev og køkkenredskaber og medføre forbrændinger på huden.
- Æg med skal og hårdkogte æg bør ikke opvarmes i mikrobølgeovnen, da de også kan eksplodere efter opvarmningen.
- Indholdet i babyflasker og babyglas skal røres og rystes og temperatur kontrolleres før indtagelse for at undgå forbrændinger.
- Køkkenredskaber kan blive varme, fordi varme overføres fra de opvarmede levnedsmidler. Grydelapper kan være nødvendige ved brugen.
- Fare for forbrænding! Alle overflader, inkl. apparatets dør, kan blive varme under drift. Hold små børn borte fra apparatet. Varmeelementerne i apparatet kan forblive varme efter drift. Berør ikke varmeelementerne i apparatet.
- Anvend ikke mikrobølgeovnen med åbned dør, da det kan medføre en skadelig virkning på grund af mikrobølger. Beskyttelsesanordninger må ikke omgås eller manipuleres.
- Placér ikke en genstand mellem mikrobølgeovnens forside og døren.
- Fjern rengøringsrester, som kan samles sig på tætningsflader.

- Tag ikke apparatet i brug, hvis det er beskadiget. Det er især vigtigt, at mikrobølgeovnenes dør lukker rigtigt, og at det ikke viser tegn på skader på
 - døren (bøjet)
 - hængsler og låse (afbrækkede eller løsnede)
 - dørtætninger og tætningsflader.
- Anvend ikke mikrobølgeovnen under kørslen.
- Anvend ikke mikrobølgeovnen som ekstra magasin (f.eks. til tøj).

**VIGTIGT!**

- Sammenlign spændingsangivelsen på typeskiltet med energiforsyningen, der er til rådighed.

3 Leveringsomfang

- Mikrobølgeovn
- Betjeningsvejledning

4 Korrekt brug

Mikrobølgeovnen er beregnet til opstilling i campingvogne og autocampere. Den er egnet til at optø og opvarme levnedsmidler i korte tidsrum på op til 60 minutter. Denne type mikrobølgeovn er specielt udviklet til at opvarme eller lave mad. Den er ikke beregnet til industri- eller laboratorieanvendelse.

Mikrobølgeovnen er beregnet til tilslutning til vekselstrømnettet.

5 Teknisk beskrivelse

Mikrobølgeovnen har følgende komponenter og betjeningslementer:

Komponenter

Punkt på fig. 1, side 3	Forklaring
1	Betjeningspanel
2	Døråbner
3	Keramisk plade
4	Dørlås
5	Mikrobølgeovnens vindue

Betjeningslementer

Punkt på fig. 2, side 3	Forklaring
1	Display til visning af tilberedningstiden, ydelsen og den aktuelle tid
2	POWER Vælg den påkrævede mikrobølgeeffekt 100P, 80P, 60P, 40P, 20P
3	EXPRESS Vælg driftsmodusen EXPRESS: 0:30, 1:00 eller 1:30
4	COOK Vælg driftsmodusen COOK
5	DEFROST Vælg driftsmodusen DEFROST for at optø frosne levnedsmidler
6	CLOCK Indstil klokkeslættet
7	PRESET Indstil timeren
8	INSTANT/ START Start eller stop af det aktuelle tilberednings- eller optøningsprogram
9	PAUSE/ CANCEL Annullér under indstillinger Under drift: Tryk en gang: Pause drift, tryk to gange: Stop drift

Punkt på fig. 2, side 3	Forklaring
10	– Indstil tilberedningstiden Under drift: Reducér tilberedningstiden eller vægten under drift
11	+ Indstil tilberedningstiden Under drift: Forøg tilberedningstiden eller vægten under drift
12	Døråbner

6 Tilslutning og indstilling af mikrobølgeovnen

6.1 Opstilling af mikrobølgeovnen

Vær opmærksom på følgende henvisninger ved opstillingen:

- Kontrollér, at alle emballeringsmaterialer er fjernet fra dørens inderside.
- Kontrollér mikrobølgeovnen for skader som f.eks. en forkert indstillet eller bøjet dør, beskadigede dørtætninger og tætningsflader, afbrækkede eller løse dørhængsler og låse og buler inde i hulrummet eller på døren. Hvis du konstaterer en skade, må du ikke tage mikrobølgeovnen i drift og skal du kontakte kvalificeret servicepersonale.
- Mikrobølgeovnen skal opstilles på en plan, stabil flade for at kunne holde sin egen vægt og de tungest mulig levnedsmidler.
- Placér mikrobølgeovnen mindst 85 cm over jorden.
- Opstil ikke mikrobølgeovnen i nærheden af varme, fugt, høj luftfugtighed eller i nærheden af brændbare materialer.
- For at fungere korrekt har mikrobølgeovnen brug for tilstrækkelig lufttilførsel. Overhold en tilstrækkelig afstand (ca. 5 cm) til ydervæggene for at sikre varmeudvekslingen. Tildæk eller blokér ikke åbningerne på mikrobølgeovnen. Fødderne må ikke fjernes.
- Kontrollér, at tilslutningskablet er ubeskadiget og ikke forløber uden mikrobølgeovnen eller over en varm eller skarp overflade.
- Anvend ikke mikrobølgeovnen i det fri.

6.2 Elektrisk tilslutning af mikrobølgeovnen

- ▶ Tilslut strømstikket til vekselstrømnettet.
- ✓ Displayet blinker tre gange og viser „-: -“.

6.3 Indstilling af klokkeslættet

- ▶ Tryk på knappen **CLOCK** for at indstille klokkeslættet.
- ✓ Displayet viser 00:00.
- ▶ Tryk på knapperne **+** eller **-** for at indstille timerne.
- ▶ Tryk på knappen **CLOCK**.
- ▶ Tryk på knapperne **+** eller **-** for at indstille minutterne.
- ▶ Tryk på knappen **CLOCK**, eller vent i 5 sekunder for at gemme klokkeslættet.

7 Betjening af mikrobølgeovnen



BEMÆRK

En ny mikrobølgeovn kan forårsage lugt på grund af produktionsrester. Udluft beboelsesområdet, når mikrobølgeovnen anvendes de første par gange. Det anbefales at opvarme en kop vand ved høj effekt flere gange for at fjerne lugt.

7.1 Informationer om tilberedning af levnedsmidler

- Placér levnedsmidlerne omhyggeligt. Placér de tykkeste områder yderst.
- Vær opmærksom på tilberedningstiden. Tilbered i den kortest anførte tid, og forøg den om nødvendigt. Levnedsmidler, der tilberedes for længe, kan afgive røg eller bryde i brand.
- Tildæk levnedsmidler ved tilberedningen. Tildækninger forhindrer stænk og sørger for en ensartet tilberedning.
- Vend levnedsmidler som f.eks. kylling eller hamburgere en gang under tilberedningsprocessen. Store levnedsmidler som f.eks. en steg skal mindst vendes en gang.
- Flyt levnedsmidler som f.eks. kødboller oppefra og ned og fra midten og ud efter halvdelen af tiden.

7.2 Informationer om køkkentøj

- Det ideelle materiale til en mikrobølgeovn er gennemtrængeligt for mikrobølgeovne, så energien kan gennemtrænge beholderen og levnedsmidlerne kan opvarmes.
- Mikrobølgeovne kan ikke trænge igennem metal, så køkkentøj af metal eller med metalkant bør ikke anvendes.
- Anvend ikke recycling-papirprodukter til tilberedningen i mikrobølgeovnen, da de kan indeholde små metalfragmenter, der kan forårsage gnister og/eller brand.
- Rundt/ovalt køkkentøj er bedre egnet end kvadratisk/laflangt køkkentøj, da levnedsmidler kan blive opvarmet for meget i køkkentøjets hjørner.

Følgende liste anvendes vejledning for egnet køkkentøj:

Køkkentøj	Egnet til mikrobølgeovn
Ovnfast glas	Ja
Ikke-ovnfast glas	Nej
Ikke-ovnfast keramik	Ja
Køkkentøj af plastik, der er egnet til mikrobølgeovne	Ja
Plastikfolie	Yes (kun ved lav effekt)
Metalskåle	Nej
Metalstativer	Nej
Aluminumfolie og aluminumfoliebeholdere	Nej
Bambusservice	Nej
Papservice	Nej

7.3 Tilberedning



BEMÆRK

- Du kan indstille en maksimal tilberedningstid på 60 minutter.
- Du kan indstille mikrobølgeovnens ydelse og tilberedningstiden i vilkårlig rækkefølge (for eksempel først tilberedningstiden og derefter mikrobølgeovnens effekt eller omvendt).
- Ved maksimal mikrobølgeeffekt reducerer enheden effekten efter nogen tid for at forlænge mikrobølgeovnens levetid.
- Stik ind i levnedsmidler med hård skal som f.eks. kartofler, hele græskar, æbler og kastanier, før de opvarmes.

- Læg levnedsmidlerne ind i mikrobølgeovnen, og luk døren.
- Tryk evt. flere gange på knappen **POWER** for at vælge den påkrævede effekt for mikrobølgeovnen:

100P	100 % mikrobølgeeffekt, hurtig opvarmning af levnedsmidler
80P	80 % mikrobølgeeffekt, opvarmning af levnedsmidler
60P	60 % mikrobølgeeffekt, damptilberedning af levnedsmidler
40P	40 % mikrobølgeeffekt, optøning af levnedsmidler
20P	20 % mikrobølgeeffekt, levnedsmidler holdes varme

- Tryk på knapperne **+** eller **-** for at indstille tilberedningstiden.
- Tryk på knappen **INSTANT/START**.
- ✓ Når den indstillede tilberedningstid er afsluttet, viser displayet „End“. Der lyder en signaltone tre gange efter hinanden, hvis du endnu ikke har åbnet mikrobølgeovnens dør.



ADVARSEL! Fare for forbrænding på grund af opvarmede levnedsmidler!

Anvend egnede gydelapper til at tage opvarmede levnedsmidler ud af mikrobølgeovnen.

- Åbn døren, og tag de opvarmede levnedsmidler ud.



BEMÆRK

Signaltonen gentages hvert tredje minut, indtil du har åbnet døren.

Åbning af døren under tilberedningen

Hvis døren åbnes, stopper tilberedningen. Displayet viser resttiden.

Fortsæt tilberedningen på følgende måde:

- Luk døren.
- Tryk på knappen **INSTANT/START**.

7.4 Opvarmning af væsker (driftsmodus EXPRESS)

- Læg levnedsmidlerne ind i mikrobølgeovnen, og luk døren.
- Tryk evt. på knappen **EXPRESS** flere gange for at vælge den påkrævede tilberedningstid på 0:30, 1:00 eller 1:30.
- Tryk på knappen **INSTANT/START**.
- ✓ Når den indstillede tilberedningstid er afsluttet, viser displayet „End“. Der lyder en signaltone tre gange efter hinanden, hvis du endnu ikke har åbnet mikrobølgeovnens dør.



ADVARSEL! Fare for forbrænding på grund af opvarmede levnedsmidler!

Anvend egnede grydelapper til at tage opvarmede levnedsmidler ud af mikrobølgeovnen.

- Åbn døren, og tag de opvarmede levnedsmidler ud.



BEMÆRK

Signaltonen gentages hvert tredje minut, indtil du har åbnet døren.

7.5 Optøning (driftsmodus DEFROST)

- Læg levnedsmidlerne ind i mikrobølgeovnen, og luk døren.
- Tryk på knappen **DEFROST**, og indtast levnedsmiddeltypen i overensstemmelse med følgende tabel:

d.1	Optøning af kød (0,1 til 2,0 kg)
d.2	Optøning af fjerkræ (0,2 til 3,0 kg)
d.3	Optøning af fisk (0,1 til 0,9 kg)

- Tryk på knapperne **+** eller **-** for at indstille vægten.

- ▶ Tryk på knappen **INSTANT/START** for at starte optøningsprogrammet.
- ✓ Når optøningsprogrammet er afsluttet, viser displayet „End“, og der lyder tre signaltoner efter hinanden.



BEMÆRK

De specificerede optøningstider er retningslinjer. Optøningstiden, der faktisk er brug for, afhænger af levnedsmidlernes type og vandindhold (kød, fisk, grøntsager, frugt, brød, etc.). Jo højere vandindholdet i levnedsmidlerne er, desto mere tid er der brug for til optøningen. Vend levnedsmidlerne under optøningen, eller drej det, for at fordele varmen ligeligt.

7.6 Opvarmning af specifikke retter (driftsmodus COOK)

- ▶ Læg levnedsmidlerne ind i mikrobølgeovnen, og luk døren.
- ▶ Tryk evt. flere gange på knappen **COOK** for at vælge den påkrævede ret:

A.1	Popcorn 85 g	For en typisk pakke mikrobølgepopcorn med en pakkestørrelse på 85 g. Tryk på knappen PAUSE/CANCEL, når der kun popper 1 korn for hvert 1 til 2 sekunder.
A.2	Popcorn 100 g	Som for A.1, for pakkestørrelse 100 g.
A.3	Pizza	Opvarm 1 stykke frossen pizza (0,15 kg).
A.4	Drikkevarer 250 ml	For en kop, der indeholder 250 ml væske ved en temperatur på cirka 5 til 10 °C. Anvend en bred kop. Tildæk ikke koppen.
A.5	Drikkevarer 500 ml	Som for A.4, for en kop med 500 ml væske.
A.6	Kartofler	Tilbered kartoffelstrimler (skær til stykker med en bredde på 5 mm). Til en masse på 0,45 kg. Spred strimlerne ud på en stor plade. Tildæk kartoflerne med egnet plastikfolie for at forhindre, at de tørrer ud.
A.7	Kartofler	Som for A.6, for en masse på 0,65 kg.
A.8	Fisk	Til skånsom tilberedning af fisk. Til en masse på 0,45 kg. Skær slidser i den forberedte fisk. Placér fisken på en stor plade, tildæk fisken med en egnet plastikfolie for at forhindre, at den tørrer ud. Lad fisken hvile i 2 minutter efter tilberedningen.

- ▶ Tryk på knappen **INSTANT/START**.

- ✓ Når den indstillede tilberedningstid er afsluttet, viser displayet „End“. Der lyder en signaltone tre gange efter hinanden, hvis du endnu ikke har åbnet mikrobølgeovnens dør.



ADVARSEL! Fare for forbrænding på grund af opvarmede levnedsmidler!

Anvend egnede grydelapper til at tage opvarmede levnedsmidler ud af mikrobølgeovnen.



BEMÆRK

De specificerede automatiske tilberedningsprogrammeret er baseret på retningslinjer. Tilberedningstiden, der faktisk er brug for, afhænger af levnedsmidlernes temperatur, type og vægt. Du kan justere mikrobølgeeffekten og tilberedningstiden på flere trin, så de passer til dine behov (se kapitlet „Indstilling af tilberedningsprogrammet i flere trin“ på side 128).

- Åbn døren, og tag de opvarmede levnedsmidler ud.



BEMÆRK

Signaltonen gentages hvert tredje minut, indtil du har åbnet døren.

7.7 Indstilling af tilberedningsprogrammet i flere trin

Du kan justere mikrobølgeeffekten og tilberedningstiden i op til 4 trin, så de opfylder dine behov.

Eksempel på tilberedningsprogram med 2 trin: Du ønsker at tilberede en ret ved 100P i 3 minutter, derefter ved 20P i 9 minutter.

- Læg levnedsmidlerne ind i mikrobølgeovnen, og luk døren.
- Tryk evt. flere gange på knappen **POWER**, indtil den påkrævede mikrobølgeeffekt på 100P er valgt.
- Tryk på knapperne **+** eller **-** for at indstille tilberedningstiden på 3:00.
- Tryk evt. flere gange på knappen **POWER**, indtil den påkrævede mikrobølgeeffekt på 20P er valgt.
- Tryk på knapperne **+** eller **-** for at indstille tilberedningstiden på 9:00.
- Tryk på knappen **INSTANT/START**.

7.8 Programmering af timeren

Timerfunktionen gør det muligt at indstille et foretrukket tidspunkt til at starte mikrobølgeovnen.

En eksempel på indstilling af timerfunktionen: Klokken er 12:30. Kl. 14:30 ønsker du at tilberede en ret ved 100P i 3 minutter.

- ▶ Læg levnedsmidlerne ind i mikrobølgeovnen, og luk døren.
- ▶ Tryk på knappen **CLOCK** for at indstille klokkeslættet.
- ✓ Displayet viser 00:00.
- ▶ Tryk på knapperne **+** eller **-** for at indstille timerne på kl. 12:00.
- ▶ Tryk på knappen **CLOCK**.
- ▶ Tryk på knapperne **+** eller **-** for at indstille minutter på kl. 12:30.
- ▶ Tryk på knappen **CLOCK** igen.
- ▶ Tryk evt. flere gange på knappen **POWER**, indtil den påkrævede mikrobølgeeffekt på 100P er valgt.
- ▶ Tryk på knapperne **+** eller **-** for at indstille tilberedningstiden på 15 minutter.
- ▶ Tryk på knappen **PRESET** for at indstille timeren.
- ▶ Tryk på knapperne **+** eller **-** for at indstille timen på kl. 14:00.
- ▶ Tryk på knappen **PRESET**.
- ▶ Tryk på knapperne **+** eller **-** for at indstille minutter på kl. 14:30.
- ▶ Tryk på knappen **PRESET** igen for at gemme timerindstillingen.
- ✓ Mikrobølgeovnen starter på det indstillede tidspunkt.

Du kan kontrollere timerfunktionen ved at trykke på knappen **PRESET**. Displayet viser det forindstillede starttidspunkt.

7.9 Låsning af knapperne

Du kan indstille en knaplås som en børnesikringsfunktion.

- ▶ Hold knappen **PAUSE/CANCEL** nede i 3 sekunder for at aktivere knaplåsen.
- ▶ Hold knappen **PAUSE/CANCEL** nede i 3 sekunder for at deaktivere knaplåsen.

8 Rengøring og vedligeholdelse

- Sluk apparatet, og træk netstikket ud, før du rengør det.
- Anvend ikke skurende midler til at rengøre apparatet.
- Hold mikrobølgeovnens indre rent. Hvis maden sprøjter eller spildte væsker klæber på mikrobølgeovnens vægge, skal du tørre det af med en fugtig klud. Anvend et mildt rengøringsmiddel, hvis mikrobølgeovnen er meget snavset. Undgå at anvende spray og andre skræppe rengøringsmidler, da de kan medføre pletter, striber eller stumpe overflader på døren.
- De udvendige flader skal rengøres med en fugtig klud. For at forhindre en beskadigelse af driftskomponenter inde i mikrobølgeovnen må der ikke trænge vand direkte ind i ventilationsåbningerne.
- Tør regelmæssigt døren, dørtætningerne og tilstødende dele af med en fugtig klud for at fjerne tilsmudsninger eller stænk.
- Lad ikke betjeningsfeltet blive vådt. Rengør med en blød, fugtig klud. Lad døren stå åben for ikke at tilkoble mikrobølgeovnen utilsigtet.
- Hvis der har samlet sig fugt inden for eller omkring dørens yderside, skal du tørre det af med en blød klud. Det kan forekomme, når mikrobølgeovnen anvendes under høje fugtighedsbetingelser, og er normalt.
- Lugt i mikrobølgeovnen kan fjernes med en kop vand og citronsaft og -skal. Fyld det i en dyb, mikrobølgeegnet beholder, og tænd mikrobølgeovnen i 5 minutter. Tør den grundigt med en blød klud.
- Lad en faghandel udskifte en defekt mikrobølgeovnslampe.
- Mikrobølgeovnen skal rengøres regelmæssigt og alle levnedsmiddelrester skal fjernes. Hvis apparatet ikke holdes rent, kan det påvirke overfladen og forkorte apparatets levetid.

9 Udbedring af fejl

Fejl	Løsning
Mikrobølgeovnen fungerer ikke.	Kontrollér, at mikrobølgeovnen er tilsluttet korrekt. Hvis den ikke er tilsluttet korrekt, skal du trække stikket ud, vente 10 sekunder og tilslutte mikrobølgeovnen korrekt.
	Kontrollér, om en sikring er sprunget, eller en sikkerhedsafbryder blev udløst. Hvis de fungerer korrekt, skal du teste stikdåsen med et andet apparat.
	Kontrollér, at mikrobølgeovnen og tilberedningstiden er indstillet rigtigt.
	Kontrollér, om døren er lukket rigtigt. I modsat fald kommer mikrobølgerne ikke ind i mikrobølgeovnens indvendige rum.

10 Garanti

Den lovbestemte garantiperiode gælder. Hvis produktet er defekt, skal du kontakte producentens afdeling i dit land (adresser, se vejledningens bagside) eller din forhandler.

Ved reparation eller krav om garanti skal du medsende følgende bilag:

- En kopi af regningen med købsdato
- En reklameringsgrund eller en fejlbeskrivelse

11 Bortskaffelse

► Bortskaf så vidt muligt emballagen sammen med det tilsvarende genbrugsaffald.



Hvis du tager produktet endegyldigt ud af drift, skal du kontakte det nærmeste recyclingcenter eller din faghandel for at få de pågældende forskrifter om bortskaffelse.

12 Tekniske data

	MWO 240
Artikel-nr.:	9600008377
Nominal spænding:	230 V $\overline{\text{~}}$, 50 Hz
Mikrobølgeeffekt:	700 W
Mikrobølgefrequens:	2450 MHz
Mål, udvendigt H x B x D:	283 x 451 x 353 mm
Mål, indvendigt H x B x D:	181,5 x 303 x 321 mm
Indhold:	17 liter
Vægt:	11,5 kg

Läs igenom anvisningarna noga innan produkten tas i drift. Spara bruksanvisningen för senare bruk. Överlämna bruksanvisningen till den nya ägaren vid ev. vidareförsäljning.

Innehållsförteckning

1	Förklaring av symboler	133
2	Säkerhetsanvisningar	134
3	Leveransomfattning.	136
4	Ändamålsenlig användning	136
5	Teknisk beskrivning.	137
6	Ansluta och ställa in mikrovågsugnen	138
7	Använda mikrovågsugnen	139
8	Rengöring och skötsel	145
9	Felsökning	146
10	Garanti	146
11	Avfallshantering.	147
12	Tekniska data.	147

1 Förklaring av symboler



VARNING!

Observera: Beaktas anvisningen ej kan det leda till dödsfara eller svåra skador.



AKTA!

Observera: Beaktas anvisningen ej kan det leda till kroppsskador.



OBSERVERA!

Om anvisningarna inte beaktas kan det leda till materialskador och produktens funktion kan påverkas negativt.

**ANVISNING**

Kompletterande information om användning av produkten.

2 Säkerhetsanvisningar

**VARNING!**

- Använd endast apparaten för den avsedda användningen som beskrivs i denna handbok.
- Använd inga frätande kemikalier i denna apparat.
- Använd inte apparaten när den är tom.
- Sätt inte igång apparaten
 - om kablar eller kontakter är skadade
 - om den inte fungerar på rätt sätt
 - om den har skadats eller tappats
- Om apparatens anslutningskabel är skadad måste den, av säkerhetsskäl, bytas ut av tillverkaren, tillverkarens kundtjänst eller annan behörig person.
- Denna apparat kan användas av barn från 8 år samt av personer med fysiska, sensoriska eller mentala funktionshinder och personer som saknar erfarenhet och kunskap under förutsättning att de använder den under uppsikt eller har fått instruktioner om hur apparaten används på ett säkert sätt och känner till eventuella risker i samband med användningen.
- Rengöring och underhåll får inte genomföras av barn utan uppsikt.
- Denna apparat får inte användas av personer (och barn), som på grund av fysiska, sensoriska eller mentala funktionshinder eller på grund av oerfarenhet eller ovetande inte kan använda apparaten på ett säkert sätt, såvida inte apparaten används under uppsikt eller med tillräcklig vägledning med hjälp av en ansvarig person.
- Barn måste hållas under uppsikt så att de inte leker med apparaten.
- Förvara och använd apparaten utom räckhåll för barn under 8 år.

- För att reducera brandfaran i mikrovågsugnen:
 - Vid uppvärmning av livsmedel i plast- eller papperskäril ska mikrovågsugnen kontrolleras avseende möjlig antändning.
 - Ta bort metalltrådar från mikrovågssäkra pappers- eller plastpåsar innan de placeras i mikrovågsugnen.
 - Om rök bildas, stäng av apparaten eller dra ut kontakten. Håll luckan stängd för att kväva eventuell eld.
 - Använd inte mikrovågsugnen för förvaring. Lämna inte pappersprodukter, köksredskap eller livsmedel i mikrovågsugnen när den inte används.
- Kontrollera att kökskärilen är avsedda för användning i mikrovågsugn.
- Mikrovågsugnen får endast repareras av kvalificerad personal. Det är farligt för icke utbildade personer att genomföra service- eller reparationsarbeten som innebär demontering av skydd, eftersom dessa skydd säkerställer strålningsbelastningen från mikrovågsenergin.

**AKTA!**

- Vätskor eller andra livsmedel får inte värmas upp i slutna käril eftersom de kan explodera.
- Vid uppvärmning av drycker kan varm vätska stänka upp i efterhand, så var försiktig vid hantering av behållaren.
- Stek inga livsmedel i mikrovågsugnen. Het olja kan skada delar på ugnen och köksredskap samt orsaka brännskador.
- Ägg med skal och hårdkokta ägg får inte värmas upp i mikrovågsugnen eftersom de kan explodera även efter uppvärmningen.
- Innehållet i babymatflaskor och babymatglas bör röras om eller skakas för att fördela temperaturen och därefter kontrolleras innan förtäring, för att undvika brännskador.
- Köksredskapen kan vara varma eftersom värmen från livsmedlen överförs. Man kan behöva använda grytlappar vid användningen.
- Fara för brännskador! Alla ytor på apparaten, även luckan, kan bli heta när mikrovågsugnen används. Håll små barn borta från apparaten. Värmeelementen i apparaten kan vara heta även efter användning. Vidrör inte värmeelementen i apparaten.
- Använd inte mikrovågsugnen med öppen lucka eftersom detta kan leda till skadlig påverkan från mikrovågor. Skyddsanordningarna får inte förbikopplas eller manipuleras.
- Placera inga föremål mellan mikrovågsugnens framsida och dess lucka.
- Ta bort rester som kan samlas på tätningar efter rengöring.

- Ta aldrig apparaten i drift om den uppvisar skador. Det är mycket viktigt att mikrovågsugns lucka stängs ordentligt och att det inte finns några skador
 - på luckan (skev lucka),
 - gångjärnen och låsen (trasigt eller löst),
 - lucktätningarna och övriga tätningar.
- Använd inte mikrovågsugnen under körning.
- Använd inte mikrovågsugnen som förvaringsplats (t.ex. för kläder).

**OBSERVERA!**

- Jämför spänningsuppgifterna på typskylten med elförsörjningen på plats.

3 Leveransomfattning

- Mikrovågsugn
- Bruksanvisning

4 Ändamålsenlig användning

Mikrovågsugnen är avsedd att installeras i husvagnar eller husbilar. Den lämpar sig för upptining och uppvärmning av livsmedel över kort tid, upp till 60 minuter. Denna typ av mikrovågsugn är avsedd för uppvärmning och matlagning. Den är inte avsedd för industriell användning eller användning i laboratorium.

Mikrovågsugnen är avsedd att drivas med växelström (elnät).

5 Teknisk beskrivning

Mikrovågsugnen har följande komponenter och reglage eller knappar:

Komponenter

Artikel på bild 1 , sida 3	Förklaring
1	Kontrollpanel
2	Lucköppnare
3	Keramikplatta
4	Lucklås
5	Fönster på mikrovågsugn

Reglage, komponenter

Artikel på bild 2 , sida 3	Förklaring
1	Display för att visa tillagningstid, effekt och aktuellt klockslag
2	POWER Välj den mikrovågseffekt som behövs 100P, 80P, 60P, 40P, 20P
3	EXPRESS Välj driftläget EXPRESS: 0:30, 1:00 eller 1:30
4	COOK Välj driftläget COOK
5	DEFROST Välj driftläget DEFROST för att tina upp frusna livsmedel
6	CLOCK Ställ in klockan
7	PRESET Ställ in timern
8	INSTANT/ START Starta eller stoppa aktuellt tillagnings- eller upptyningsprogram
9	PAUSE/ CANCEL Avbryta vid inställningar Under drift: Tryck en gång: Pausa användning, tryck två gånger: Stoppa driften

Artikel på bild 2 , sida 3	Förklaring
10	– Ställa in tillagningstiden Under drift: Minska tillagningstiden eller vikten under drift
11	+ Ställa in tillagningstiden Under drift: Öka tillagningstiden eller vikten under drift
12	Lucköppnare

6 Ansluta och ställa in mikrovågsugnen

6.1 Installera mikrovågsugnen

Observera följande anvisningar vid installationen:

- Säkerställ att allt förpackningsmaterial från luckans insida är borttaget.
- Kontrollera att mikrovågsugnen inte är skadad, t.ex. felaktigt riktad eller skev lucka, skadade lucktätningar, skadade eller lösa luckgångjärn och lås och bucklor inne i ugnen eller på luckan. Om du fastställer en skada, ska du inte använda mikrovågsugnen utan kontakta kvalificerad servicepersonal.
- Mikrovågsugnen måste placeras på ett jämt och stabilt underlag som håller för egenvikten och de tyngsta livsmedlen.
- Placera ugnen minst 85 cm över golvet.
- Placera inte mikrovågsugnen i närheten av värme, fukt, hög luftfuktighet eller antändliga material.
- Mikrovågsugnen ha tillräcklig lufttillförsel för att kunna användas utan problem. Se till att avståndet till ytterväggarna är tillräckligt stort (ca 5 cm) för att säkerställa värmeväxlingen. Täck inte över eller blockera öppningar på mikrovågsugnen. Fötterna får inte tas bort.
- Säkerställ att anslutningskabeln inte är skadad och att den inte dras under mikrovågsugnen eller över ytor med heta eller vassa delar.
- Använd inte mikrovågsugnen utomhus.

6.2 Ansluta el till mikrovågsugnen

- ▶ Anslut stickkontakten till elnätet.
- ✓ Displayen blinkar tre gånger och visar "-: -".

6.3 Ställa in klockan

- ▶ Tryck på knappen **CLOCK** för att ställa in klockan.
- ✓ Displayen visar 00:00.
- ▶ Tryck på knapparna **+** eller **-** för att ställa in timmar.
- ▶ Tryck på knappen **CLOCK**.
- ▶ Tryck på knapparna **+** eller **-** för att ställa in minuter.
- ▶ Tryck på knappen **CLOCK** eller vänta 5 sekunder för att spara tiden.

7 Använda mikrovågsugnen



ANVISNING

En ny mikrovågsugn kan ge ifrån sig lukter på grund av rester från tillverkningen. Lufta ur bodelen när mikrovågsugnen används de första gångerna. Att värma en kopp vatten på hög effekt flera gånger rekommenderas för att få bort lukter.

7.1 Information om tillagning av livsmedel

- Förbered livsmedlen noga. Placera de tjockaste områdena utåt.
- Observera tillagningstiden. Tillaga med kortast angivna tid och öka tiden om det är nödvändigt. Vid för lång tillagningstid kan rök eller brand uppstå.
- Täck över livsmedlet när det tillagas. Kåpor förhindrar stänk och ser till att värme fördelningen blir jämn.
- Vänd livsmedlen, som t.ex. kyckling eller hamburgare, en gång under tillagningen. Stora livsmedel, som t.ex. stekar, måste vändas minst en gång.
- Fördela om livsmedel, som t.ex. köttbullar, efter halva tiden. Från botten till toppen och från mitten till utkanten.

7.2 Information om kokkärl

- Det optimala materialet för mikrovågsugnar släpper igenom mikrovågor, så att energin kan tränga igenom behållaren och värma upp livsmedlet.
- Mikrovågor kan inte tränga igenom metall, därför får inte kokkärl av metall eller kärl med metallränder användas.
- Använd inga återanvända pappersprodukter för tillagning i mikrovågsugnen eftersom de kan innehålla metallfragment som kan orsaka gnistor och/eller bränder.
- Runda/ovala kokkärl är bättre lämpade än kvadratiska/avlånga kokkärl eftersom livsmedlet i hörnen kan överhettas.

Följande lista är en riktlinje för lämpliga kokkärl:

Kokkärl	Lämpliga för mikrovågsugn
Värmebeständigt glas	Ja
Icke värmebeständigt glas	Nej
Värmebeständig keramik	Ja
Plastkärl som är lämpade för mikrovågsugn	Ja
Plastfolie	Ja (endast med låg effekt)
Metallskålar	Nej
Metallställ	Nej
Aluminiumfolie och aluminiumfoliebehållare	Nej
Bambutallrikar	Nej
Kartongtallrikar	Nej

7.3 Tillagning



ANVISNING

- Du kan ställa in en tillagningstid på max. 60 minuter.
- Du kan ställa in mikrovågsugnens effekt och tillagningstiden i valfri ordningsföljd (t.ex. först tillagningstiden och sedan mikrovågsugnens effekt, eller omvänt).
- Vid maximal mikrovågseffekt minskar enheten effekten efter en viss tid för att förlänga mikrovågsugnens livslängd.
- Gör hål i livsmedel med hårda skal före uppvärmningen. Detta gäller till exempel potatis, hela pumpor, äpplen och kastanjer.

- Ställ in livsmedlet i mikrovågsugnen och stäng luckan.
- Tryck vid behov upprepade gånger på knappen **POWER** för att välja mikrovågsugnens effekt:

100P	100 % mikrovågseffekt; snabb uppvärmning av livsmedel
80P	80 % mikrovågseffekt; uppvärmning av livsmedel
60P	60 % mikrovågseffekt; lätt uppvärmning av livsmedel
40P	40 % mikrovågseffekt; upptining av livsmedel
20P	20 % mikrovågseffekt; varmhållning av livsmedel

- Tryck på knapparna **+** eller **-** för att ställa in tillagningstiden.
- Tryck på knappen **INSTANT/START**.
- ✓ När den inställda tillagningstiden har löpt ut visas "End" på displayen. En ljudsignal hörs tre gånger efter varandra om du inte hunnit öppna mikrovågsugnens lucka än.



WARNING! Risk för brännskador på grund av uppvärmda livsmedel!

Använd lämpliga grytlappar för att ta ut uppvärmda livsmedel ur mikrovågsugnen.

- Öppna luckan och ta ut det uppvärmda livsmedlet.



ANVISNING

Ljudsignalen fortsätter att höras var tredje minut tills du öppnar luckan.

Öppna luckan under tillagningen

Tillagningen avbryts om luckan öppnas. På displayen visas återstående tid.

Fortsätt tillagningen på följande sätt:

- Stäng luckan.
- Tryck på knappen **INSTANT/START**.

7.4 Värma upp vätskor (driftläge EXPRESS)

- Ställ in livsmedlet i mikrovågsugnen och stäng luckan.
- Tryck vid behov upprepade gånger på knappen **EXPRESS** för att välja den tillagningstid som behövs, 0:30, 1:00 eller 1:30.

- Tryck på knappen **INSTANT/START**.
- ✓ När den inställda tillagningstiden har löpt ut visas "End" på displayen. En ljudsignal hörs tre gånger efter varandra om du inte hunnit öppna mikrovågsugnens lucka än.



VARNING! Risk för brännskador på grund av uppvärmda livsmedel!

Använd lämpliga grytlappar för att ta ut uppvärmda livsmedel ur mikrovågsugnen.

- Öppna luckan och ta ut det uppvärmda livsmedlet.



ANVISNING

Ljudsignalen fortsätter att höras var tredje minut tills du öppnar luckan.

7.5 Tina upp (driftläge DEFROST)

- Ställ in livsmedlet i mikrovågsugnen och stäng luckan.
- Tryck på knappen **DEFROST** och ange typen av livsmedel enligt följande tabell:

d.1	Tina upp kött (0,1 till 2,0 kg)
-----	---------------------------------

d.2	Tina upp fågel (0,2 till 3,0 kg)
-----	----------------------------------

d.3	Tina upp fisk (0,1 till 0,9 kg)
-----	---------------------------------

- Tryck på knapparna **+** eller **-** för att ställa in vikten.
- Tryck på knappen **INSTANT/START** för att starta upptiningsprogrammet.
- ✓ Efter att upptiningsprogrammet avslutats visas "End" på displayen och tre ljudsignaler efter varandra hörs.



ANVISNING

Upptiningstiderna är bara riktlinjer. Den verkliga upptiningstiden som behövs beror på livsmedlets (kött, fisk, grönsaker, frukt, bröd etc.) typ och dess vattenhalt. Ju högre livsmedlets vattenhalt är, desto mer tid behövs för upptiningen. För att kunna fördela värmen jämnt, vänd eller vrid livsmedlet under upptiningen.

7.6 Värma upp särskilda rätter (driftläge COOK)

- ▶ Ställ in livsmedlet i mikrovågsugnen och stäng luckan.
- ▶ Tryck vid behov upprepade gånger på knappen **COOK** för att välja rätt:

A.1	Popcorn 85 g	För ett typiskt paket mikrovågspopcorn med paketstorlek 85 g. Tryck på knappen PAUSE/CANCEL när bara 1 popcornkorn poppas med 1 till 2 sekunders mellanrum.
A.2	Popcorn 100 g	Som för A.1, för paketstorlek 100 g.
A.3	Pizza	Värm upp 1 bit frusen pizza (0,15 kg).
A.4	Drycker 250 ml	För en kopp med 250 ml dryck vid en temperatur på ca 5 till 10 °C. Använd en bred kopp. Täck inte över koppen.
A.5	Drycker 500 ml	Som för A.4, för en kopp med 500 ml dryck.
A.6	Potatis	Tillaga pommes frites (skurna i upp till 5 mm breda bitar). För en massa på 0,45 kg. Sprid ut alla pommes frites på en stor tallrik. Täck över potatisen med lämplig plastfolie så den inte torkar ut.
A.7	Potatis	Som för A.6, för en massa på 0,65 kg.
A.8	Fisk	För att tillaga fisk försiktigt. För en massa på 0,45 kg. Skär skåror i den förberedda fisken. Lägg fisken på en stor tallrik, krydda fisken och täck över den med lämplig plastfolie för att förhindra att den torkar ut. Låt fisken vila i 2 minuter efter tillagningen.

- ▶ Tryck på knappen **INSTANT/START**.
- ✓ När den inställda tillagningstiden har löpt ut visas "End" på displayen. En ljudsignal hörs tre gånger efter varandra om du inte hunnit öppna mikrovågsugnens lucka än.



WARNING! Risk för brännskador på grund av uppvärmda livsmedel!

Använd lämpliga grytlappar för att ta ut uppvärmda livsmedel ur mikrovågsugnen.

**ANVISNING**

De särskilda automatiska tillagningsprogrammen baseras på riktlinjer. Den verkliga tillagningstiden som behövs beror på livsmedlets temperatur, typ och vikt. Du kan ställa in mikrovågseffekten och tillagningstiden i flera steg efter behov (se kapitel "Ställa in flerstegsprogrammet för tillagning" på sidan 144).

- Öppna luckan och ta ut det uppvärmda livsmedlet.

**ANVISNING**

Ljudsignalen fortsätter att höras var tredje minut tills du öppnar luckan.

7.7 Ställa in flerstegsprogrammet för tillagning

Du kan ställa in mikrovågseffekten och tillagningstiden i upp till 4 steg efter behov.

Exempel på ett tillagningsprogram med 2 steg: Du vill tillaga en rätt på 100P i 3 minuter, sedan på 20P i 9 minuter.

- Ställ in livsmedlet i mikrovågsugnen och stäng luckan.
- Tryck vid behov upprepade gånger på knappen **POWER** tills mikrovågseffekt 100P är vald.
- Tryck på knapparna **+** eller **-** för att ställa in tillagningstiden på 3:00.
- Tryck vid behov upprepade gånger på knappen **POWER** tills mikrovågseffekt 20P är vald.
- Tryck på knapparna **+** eller **-** för att ställa in tillagningstiden på 9:00.
- Tryck på knappen **INSTANT/START**.

7.8 Programmera timern

Med timerfunktionen kan du ställa in tiden då mikrovågsugnen ska starta.

Ett exempel på inställning av timerfunktionen: Klockan är 12:30. Vid 14:30 vill du tillaga en rätt på 100P i 3 minuter.

- Ställ in livsmedlet i mikrovågsugnen och stäng luckan.
- Tryck på knappen **CLOCK** för att ställa in klockan.
- ✓ Displayen visar 00:00.
- Tryck på knapparna **+** eller **-** för att ställa in timmarna på 12:00.

- Tryck på knappen **CLOCK**.
- Tryck på knapparna **+** eller **-** för att ställa in minuterna på 12:30.
- Tryck på knappen **CLOCK** igen.
- Tryck vid behov upprepade gånger på knappen **POWER** tills mikrovågseffekt 100P är vald.
- Tryck på knapparna **+** eller **-** för att ställa in tillagningstiden på 3 minuter.
- Tryck på knappen **PRESET** för att ställa in timern.
- Tryck på knapparna **+** eller **-** för att ställa in timmen på 14:00.
- Tryck på knappen **PRESET**.
- Tryck på knapparna **+** eller **-** för att ställa in minuterna på 14:30.
- Tryck på knappen **PRESET** igen för att spara timerinställningen.
- ✓ Mikrovågsugnen startar på inställd tid.

Du kan kontrollera timerfunktionen genom att trycka på knappen **PRESET**. Displayen visar förinställd starttid.

7.9 Låsa knapparna

Du kan ställa in ett barnsäkert knapplås.

- För att aktivera knapplåset, håll knappen **PAUSE/CANCEL** nedtryckt i 3 sekunder.
- För att avaktivera knapplåset, håll knappen **PAUSE/CANCEL** nedtryckt i 3 sekunder.

8 Rengöring och skötsel

- Stäng av apparaten och dra ut kontakten innan rengöring.
- Använd inga skurmedel för att rengöra apparaten.
- Håll mikrovågsugnens inre rent. När utstänkt mat eller utspillda vätskor fastnar på mikrovågsugnens väggar ska väggen torkas av med en fuktig trasa. Använd ett mildt rengöringsmedel om mikrovågsugnen är mycket smutsig. Undvik att använda spray och andra repande rengöringsmedel eftersom de kan orsaka fläckar, ränder eller matta ytor på luckan.
- Utsidan bör rengöras med en fuktig duk. För att undvika skador på komponenter i mikrovågsugnens inre får inget vatten tränga in i ventilationsöppningarna.

- Torka av luckan, lucktätningarna och närliggande delar regelbundet med en fuktig duk för att ta bort smuts eller stänk.
- Låt inte kontrollpanelen bli våt. Rengör den med en mjuk, fuktig trasa. Låt mikrovågsugns lucka stå öppen så att den inte kan slås på av misstag.
- Om fukt samlas på luckans in- eller utsida ska fukten torkas bort med en mjuk trasa. Detta kan hända om mikrovågsugnen används i omgivningar med hög luftfuktighet och detta är normalt.
- Lukter i mikrovågsugnen kan tas bort med en kopp citronvatten/vatten med citronskal. Häll vattnet i ett djupt kärl som är lämpligt för mikrovågsugnar och kör mikrovågsugnen i 5 minuter. Rengör därefter noga med en mjuk duk.
- Låt en återförsäljare byta ut lampan i mikrovågsugnen om den är defekt.
- Mikrovågsugnen bör rengöras regelbundet och alla livsmedelsrester bör avlägsnas. Om apparaten inte hålls ren kan detta skada ytan och förkorta apparatens livslängd.

9 Felsökning

Fel	Åtgärd
Mikrovågsugnen fungerar inte.	<p>Se till att mikrovågsugnen är korrekt ansluten. Om den inte är korrekt ansluten, dra ut kontakten, vänta i 10 sekunder och anslut mikrovågsugnen igen.</p> <hr/> <p>Kontrollera om en säkring har gått eller om en jordfelsbrytare har löst ut. Om de fungerar korrekt, testa uttaget med en annan apparat.</p> <hr/> <p>Se till att mikrovågsugnen och tillagningstiden är korrekt inställda.</p> <hr/> <p>Kontrollera att luckan är ordentligt stängd. Annars kommer mikrovågorna inte in i mikrovågsugnen.</p>

10 Garanti

Den lagstadgade garantitiden gäller. Om produkten är defekt: kontakta tillverkarens kontor i ditt land (adresser, se bruksanvisningens baksida) eller återförsäljaren.

Vid reparations- resp. garantiärenden ska följande skickas med:

- en kopia på fakturan med inköpsdatum,
- en reklambeskrivning/felbeskrivning.

11 Avfallshantering

- Lämna om möjligt förpackningsmaterialet till återvinning.



När produkten slutgiltigt tas ur bruk: informera dig om gällande bestämmelser hos närmaste återvinningscentral eller hos återförsäljaren.

12 Tekniska data

	MWO 240
Artikelnr:	9600008377
Nominell spänning:	230 V $\overline{=}$, 50 Hz
Mikrovågsugnens effekt:	700 W
Mikrovågsugnens frekvens:	2450 MHz
Yttermått H x B x D:	283 x 451 x 353 mm
Innermått H x B x D:	181,5 x 303 x 321 mm
Volym:	17 liter
Vikt:	11,5 kg

Les bruksanvisningen nøye før du tar i bruk apparatet, og ta vare på den. Hvis produktet selges videre, må du sørge for å gi bruksanvisningen videre også.

Innholdsfortegnelse

1	Symbolforklaring	148
2	Sikkerhetsregler	149
3	Leveringsomfang	151
4	Tiltenkt bruk	151
5	Teknisk beskrivelse	152
6	Tilkobling og innstilling av mikrobølgeovnen	153
7	Betjene mikrobølgeovnen	154
8	Rengjøring og stell	160
9	Feilretting	161
10	Garanti	162
11	Avfallsbehandling	162
12	Tekniske spesifikasjoner	162

1 Symbolforklaring



ADVARSEL!

Sikkerhetsregel: Hvis man ikke overholder denne regelen, kan det føre til død eller alvorlig skade.



FORSIKTIG!

Sikkerhetsregel: Hvis man ikke overholder denne regelen, kan det føre til personskader.



PASS PÅ!

Hvis man ikke overholder denne regelen, kan det føre til materielle skader og skade funksjonen til produktet.

**MERK**

Utfyllende informasjon om bruk av produktet.

2 Sikkerhetsregler

**ADVARSEL!**

- Benytt apparatet bare til den beregnede bruken slik som beskrevet i denne veiledningen.
- Bruk ingen etsende kjemikalier i dette apparatet.
- Ikke bruk apparatet når det er tomt.
- Ikke ta dette apparatet i bruk
 - hvis kabler eller støpsler er skadet
 - hvis det ikke fungerer som det skal
 - hvis det er skadet eller har falt ned
- Hvis tilkoblingskabelen er skadet, må det byttes ut av produsenten, dennes kundeservice eller en tilsvarende kvalifisert person for å unngå farer.
- Dette apparatet kan brukes av barn fra 8 år og oppover, og av personer med nedsatte fysiske, sensoriske eller mentale evner eller manglende erfaring og kunnskap, når de er under oppsikt eller har fått opplæring i sikker bruk av apparatet og hvilke farer som er forbundet med det.
- Rengjøring og vedlikehold må ikke utføres av barn uten at de er under oppsikt.
- Dette apparatet skal ikke brukes av personer (inkludert barn) med reduserte fysiske, sensoriske eller psykiske evner, eller også manglende erfaring eller kunnskap, med mindre de er under egnet oppsyn eller har fått utførlige anvisninger om bruk av apparatet av en person som er ansvarlig for deres sikkerhet.
- Barn skal være under tilsyn for å sikre at de ikke leker med apparatet.
- Hold alltid apparatet utenfor rekkevidden til barn under 8 år.

- For å redusere brannfaren inne i mikrobølgeovnen:
 - Ved oppvarming av mat i plast- eller papirbeholdere må du kontrollere mikrobølgeovnen for mulig antennelse.
 - Fjern metalltråder fra mikrobølgeegnede papir- eller plastikkposer før du legger disse inn i mikrobølgeovnen.
 - Ved røykdannelse må du slå av apparatet eller trekke ut strømpluggen. Hold døren lukket for å kvele eventuelle flammer.
 - Ikke bruk det innvendige rommet til oppbevaring. Ikke la papirprodukter, matlagingsutstyr eller matvarer ligge i mikrobølgeovnen når du ikke bruker den.
- Bestikk må kontrolleres for å se om det er egnet for bruk i mikrobølgeovnen.
- Mikrobølgeovnen må kun repareres av kvalifisert fagpersonale. Det er farlig for uopplærte personer å gjennomføre service- eller reparasjonsarbeider som innebærer fjerning av deksler, da disse gir beskyttelse mot strålebelastning fra mikrobølgeenergi.



FORSIKTIG!

- Flytende matvarer eller andre næringsmidler må ikke varmes opp i lukkede beholdere, da disse kan eksplodere.
- Oppvarming av drikkevarer kan føre til en plutselig spruting i etterkant. Behandle derfor beholderen forsiktig.
- Ikke stek/fritter matvarer i mikrobølgeovnen. Varm olje kan skade ovnsdeler og utstyr, og føre til forbrenninger på huden.
- Egg med skall og hardkokte egg må ikke varmes opp i mikrobølgeovnen, da de kan eksplodere, også etter oppvarmingen.
- Innholdet i babyflasker og glass med babymat må røres om eller ristes for å sjekke temperaturen før det drikkes eller spises, slik at man unngår forbrenninger.
- Matlagingsutstyr kan bli svært varmt, da varme overføres fra den oppvarmede maten. Grytekluter kan være nødvendig ved bruk.
- Fare for forbrenninger! Alle overflater, også døren på apparatet, kan bli varme under drift. Hold små barn borte fra apparatet. Varmeelementene i apparatet kan fortsatt være varme eller bruken. Ikke berør varmeelementene i apparatet.
- Ikke bruk mikrobølgeovnen med åpen dør, da dette kan føre til en skadelig påvirkning fra mikrobølgene. Verneinnretningene må ikke omgås eller manipuleres med.
- Ikke plasser gjenstander mellom frontoverflaten på mikrobølgeovnen og døren.

- Fjern rester etter rengjøring som kan samle seg på tetningsoverflater.
- Ikke ta i bruk apparatet dersom det er skadet. Det er spesielt viktig at mikrobølgeovnenes dør lukkes ordentlig, og at det ikke foreligger noen skader på
 - Døren (bøyd)
 - Hengsler og låser (brukket eller løst)
 - Dørtetninger og tetningsflater
- Ikke bruk mikrobølgeovnen under kjøring.
- Ikke bruk mikrobølgeovnen som oppbevaringsrom (f.eks. til klær).

**PASS PÅ!**

- Sammenlign spenningsspesifikasjonene på merkeskiltet med tilgjengelig strømtilførsel.

3 Leveringsomfang

- Mikrobølgeovn
- Bruksanvisning

4 Tiltent bruk

Mikrobølgeovnen er ment for montering i campingvogner og bobiler. Det er egnet til opptining og oppvarming av matvarer i kortere perioder på opptil 60 minutter. Denne typen mikrobølgeovn er spesielt utviklet for å varme opp eller tilberede mat. Den er ikke laget for bruk i industri eller laboratorier.

Mikrobølgeovnen er konstruert for bruk med vekselstrømnett.

5 Teknisk beskrivelse

Mikrobølgeovnen har følgende komponenter og betjeningslementer:

Komponenter

Artikkel i fig. 1, side 3	Forklaring
1	Betjeningspanel
2	Døråpner
3	Keramikkplate
4	Dørlås
5	Mikrobølgevindu

Betjeningslementer

Artikkel i fig. 2, side 3	Forklaring
1	Display for visning av tilberedningstid, effekt og aktuell tid
2	POWER Velg påkrevet mikrobølgeeffekt 100P, 80P, 60P, 40P, 20P
3	EXPRESS (EKSPRESS) Velg driftsmodusen EXPRESS: 0:30, 1:00 eller 1:30
4	COOK (MATLAGING) Velg driftsmodusen COOK
5	DEFROST (OPPTINING) Velg driftsmodusen DEFROST for å tine opp frossen mat
6	CLOCK Still inn klokkeslett
7	PRESET Still inn timeren
8	INSTANT/START Start og stopp av det aktuelle tilberednings- eller tineprogrammet

Artikkel i fig. 2, side 3	Forklaring	
9	PAUSE/ CANCEL	Avbryt under innstilling Under drift: Ett trykk: Sett driften på pause. To trykk: Stopp driften
10	–	Still inn tilberedningstid Under drift: Reduser tilberedningstiden eller vekten under drift
11	+	Still inn tilberedningstid Under drift: Øk tilberedningstiden eller vekten under drift
12	Døråpner	

6 Tilkobling og innstilling av mikrobølgeovnen

6.1 Oppstilling av mikrobølgeovnen

Følg disse anvisningene ved oppstillingen:

- Sørg for at all emballasje er fjernet fra innsiden av døren.
- Kontroller mikrobølgeovnen for skader som en feil justert eller bøyd dør, skadde dørtetninger og tetningsflater, brukne eller løse dørhengsler og låser og bulker inne i hulrommet eller på døren. Hvis du oppdager skader må du ikke ta ovnen i bruk, men henvende deg til kvalifisert servicepersonale.
- Mikrobølgeovnen må stå på en jevn, stabil flate for å kunne holde på egenvekten og eventuelle tunge matvarer.
- Plasser mikrobølgeovnen minst 85 cm over gulvet.
- Ikke plasser mikrobølgeovnen i nærheten av varme, fuktighet, høy luftfuktighet eller i nærheten av brennbare materialer.
- For en forskriftsmessig bruk trenger mikrobølgeovnen en tilstrekkelig lufttilførsel. Hold tilstrekkelig avstand (ca. 5 cm) til ytterveggene for å sikre en varmeutveksling. Ikke dekk til eller blokker åpningene på mikrobølgeovnen. Føttene må ikke fjernes.
- Forsikre deg om at tilkoblingskabelen er uskadd og ikke ligger under mikrobølgeovnen eller over en varm eller skarp overflate.
- Ikke bruk mikrobølgeovnen i friluft.

6.2 Elektrisk tilkobling av mikrobølgeovnen

- ▶ Koble strømstøpselet til vekselstrømnettet.
- ✓ Displayet blinker tre ganger og viser «-: -».

6.3 Stille inn klokkeslett

- ▶ Trykk på **CLOCK**-knappen for å stille inn klokkeslett.
- ✓ Displayet viser 00:00.
- ▶ Trykk på knappen **+** eller **-** for å stille inn timer.
- ▶ Trykk på **CLOCK**-knappen.
- ▶ Trykk på knappen **+** eller **-** for å stille inn minutter.
- ▶ Trykk på **CLOCK**-knappen eller vent i 5 sekunder for å lagre klokkeslettet.

7 Betjene mikrobølgeovnen



MERK

I en ny mikrobølgeovn kan det oppstå lukt pga. rester fra produksjonen. Luft ut oppholdsrommet de første gangene mikrobølgeovnen benyttes. For å fjerne lukten anbefaler vi å varme opp en kopp vann på høy effekt flere ganger.

7.1 Informasjon om tilberedning av matvarer

- Plasser matvarene nøye. Plasser de tykkeste delene mot utsiden.
- Ta hensyn til tilberedningstiden. Tilbered så lenge som den kortest oppførte tiden og øk denne om nødvendig. Overstekt mat kan forårsake røyk eller ta fyr.
- Dekk til matvarer under tilberedning. Deksler forhindrer spruting og sørger for jevn tilberedning.
- Snu matvarer som kylling eller hamburger en gang i løpet av tilberedningsprosessen. Større matvarer som f.eks. en stek, må snus minst én gang.
- Flytt matvarer som kjøttkaker nedover i ovnen og utover mot kanten etter halvparten av tilberedningstiden.

7.2 Informasjon om kokekarene

- Det ideelle materialet for en mikrobølgeovn slipper mikrobølger gjennom, slik at energien kan trenge gjennom beholderen og varme opp matvaren.
- Mikrobølger kan ikke trenge gjennom metall, og derfor bør ikke metallkar eller kar med metallkant brukes.
- Ikke bruk produkter av resirkulert papir for tilberedning i mikrobølgeovnen, da de kan inneholde små metallfragmenter som kan forårsake gnister og/eller brann.
- Runde/ovale kokekopper og -kar er bedre egnet enn kvadratiske/rektangulære, da matvarer kan overopphetes i hjørnene på kokekarene.

Følgende liste gjelder som retningslinje for egnede kokekopper og -kar:

Kokekopper og -kar	Mikrobølgeegnet
Varmebestandig glass	Ja
Ikke varmebestandig glass	Nei
Varmebestandig keramikk	Ja
Mikrobølgeegnete kopper og kar av plastikk	Ja
Plastfolie	Ja (kun ved lav effekt)
Metallskåler	Nei
Metallsokler	Nei
Aluminiumsfolie og aluminiumsfoliebeholdere	Nei
Bambusservise	Nei
Pappservise	Nei

7.3 Tilberedning



MERK

- Du kan stille inn en maksimal tilberedningstid på 60 minutter.
- Du kan stille inn mikrobølgeeffekten og tilberedningstiden i hvilken som helst rekkefølge (f.eks. først tilberedningstiden og deretter mikrobølgeeffekten eller motsatt).
- Ved maksimal mikrobølgeeffekt reduserer apparatet effekten etter en viss tid for å forlenge levetiden på mikrobølgeovnen.
- Stikk først hull på matvarer med hardt skall, som f.eks. poteter, hele gresskar, epler og kastanjer, før oppvarmingen.

- Sett maten inn i mikrobølgeovnen og lukk døren.
- Trykk eventuelt flere ganger på **POWER**-knappen for å velge ønsket mikrobølgeeffekt:

100P	100 % mikrobølgeeffekt; rask oppvarming av mat
80P	80 % mikrobølgeeffekt; oppvarming av mat
60P	60 % mikrobølgeeffekt; damping av mat
40P	40 % mikrobølgeeffekt; opptining av mat
20P	20 % mikrobølgeeffekt; holder maten varm

- Trykk på knappen **+** eller **-** for å stille inn tilberedningstiden.
- Trykk på **INSTANT/START**-knappen.
- ✓ Når den innstilte tilberedningstiden er over, viser displayet «End». Hvis døren til mikrobølgeovnen ennå ikke er åpnet, lyder tre lydsignaler etter hverandre.

**ADVARSEL! Forbrenningsfare som følge av oppvarmet mat!**

Bruk egnede grytekluter for å ta oppvarmet mat ut av mikrobølgeovnen.

- Åpne døren og ta ut den oppvarmede maten.

**MERK**

Signalet gjentas hvert tredje minutt helt til du har åpnet døren.

Åpning av døren under tilberedningen

Hvis døren åpnes, stanses tilberedningsprosessen. Displayet viser den gjenværende tiden.

Forsett tilberedningen som følger:

- Lukk døren.
- Trykk på **INSTANT/START**-knappen.

7.4 Oppvarming av væske (EXPRESS-driftsmodus)

- Sett maten inn i mikrobølgeovnen og lukk døren.
- Trykk eventuelt flere ganger på **EXPRESS**-knappen for å velge ønsket tilberedningstid på 0:30, 1:00 eller 1:30.
- Trykk på **INSTANT/START**-knappen.
- ✓ Når den innstilte tilberedningstiden er over, viser displayet «End». Hvis døren til mikrobølgeovnen ennå ikke er åpnet, lyder tre lydsignaler etter hverandre.



ADVARSEL! Forbrenningsfare som følge av oppvarmet mat!

Bruk egnede grytekluter for å ta oppvarmet mat ut av mikrobølgeovnen.

- Åpne døren og ta ut den oppvarmede maten.



MERK

Signalet gjentas hvert tredje minutt helt til du har åpnet døren.

7.5 Opptining (DEFROST-driftsmodus)

- Sett maten inn i mikrobølgeovnen og lukk døren.
- Trykk på **DEFROST**-knappen og oppgi typen matvarer iht. den følgende tabellen:

d.1 Opptining av kjøtt (0,1 til 2,0 kg)

d.2 Opptining av fjærkre (0,2 til 3,0 kg)

d.3 Opptining av fisk (0,1 til 0,9 kg)

- Trykk på knappen **+** eller **-** for å stille inn vekten.
- Trykk på **INSTANT/START**-knappen for å starte opptinningsprogrammet.
- ✓ Når opptinningsprogrammet er avsluttet, viser displayet «End», og det lyder tre signallyder etter hverandre.



MERK

De spesifiserte opptiningstidene er veiledende. Den faktiske opptiningstiden som trengs, avhenger av matvarens type og vanninnhold (kjøtt, fisk, grønnsaker, frukt, brød, etc.). Jo høyere vanninnholdet i matvaren er, desto mer tid trengs for opptiningen. For å fordele varmen jevnt må du snu eller dreie på maten under opptiningen.

7.6 Oppvarming av spesifikke matretter (COOK-driftsmodus)

- Sett maten inn i mikrobølgeovnen og lukk døren.
- Trykk eventuelt flere ganger på **COOK**-knappen for å velge ønsket matrett:

A.1	Popkorn 85 g	For en typisk pakke mikrobølgepopkorn på 85 g. Trykk på PAUSE/CANCEL-knappen når det bare popper 1 popkorn i løpet av 1 til 2 sekunder.
A.2	Popkorn 100 g	Som for A.1, for pakker på 100 g.
A.3	Pizza	Varm opp 1 stykke frossenpizza (0,15 kg).
A.4	Drikke 250 ml	For en kopp som inneholder 250 ml væske med en temperatur på ca. 5 til 10 °C. Bruk en stor kopp. Ikke dekk til koppen.
A.5	Drikke 500 ml	Som i A.4, for en kopp med 500 ml væske.
A.6	Poteter	Kok potetstrimler (kuttet i stykker på 5 mm bredde). For en mengde på 0,45 kg. Spre strimlene på en stor tallerken. Dekk til potetene med en egnet plastfolie for å forhindre at de blir tørre.
A.7	Poteter	Som i A.6, men for en mengde på 0,65 kg.
A.8	Fisk	For skånsom tilberedning av fisk. For en mengde på 0,45 kg. Skjær snitt i den forberedte fisken. Legg fisken på en stor tallerken, krydre den og dekk den til med egnet plastfolie for å forhindre at den blir tørr. La fisken hvile i 2 minutter etter tilberedningen.

- Trykk på **INSTANT/START**-knappen.
- ✓ Når den innstilte tilberedningstiden er over, viser displayet «End». Hvis døren til mikrobølgeovnen ennå ikke er åpnet, lyder tre lydsignaler etter hverandre.



ADVARSEL! Forbrenningsfare som følge av oppvarmet mat!

Bruk egnede grytekluter for å ta oppvarmet mat ut av mikrobølgeovnen.

**MERK**

De spesifiserte automatiske tilberedningsprogrammene er basert på retninglinjer. Den faktiske tilberedningstiden avhenger av temperaturen og matvarens type og vekt. Du kan tilpasse mikrobølgeeffekten i flere trinn etter behov (se kapittel «Stille inn flertrinns tilberedningsprogram» på side 159).

- ▶ Åpne døren og ta ut den oppvarmede maten.

**MERK**

Signalet gjentas hvert tredje minutt helt til du har åpnet døren.

7.7 Stille inn flertrinns tilberedningsprogram

Du kan tilpasse mikrobølgeeffekten og tilberedningstiden i opptil 4 trinn etter behov.

Eksempel på et 2-trinns tilberedningsprogram: Du vil tilberede en matrett på 100P i 3 minutter, og deretter på 20P i 9 minutter.

- ▶ Sett maten inn i mikrobølgeovnen og lukk døren.
- ▶ Trykk eventuelt flere ganger på **POWER**-knappen til den ønskede mikrobølgeeffekten på 100P er valgt.
- ▶ Trykk på knappen **+** eller **-** for å stille inn tilberedningstiden til 3:00.
- ▶ Trykk eventuelt flere ganger på **POWER**-knappen til den ønskede mikrobølgeeffekten på 20P er valgt.
- ▶ Trykk på knappen **+** eller **-** for å stille inn tilberedningstiden til 9:00.
- ▶ Trykk på **INSTANT/START**-knappen.

7.8 Programmere timeren

Med timerfunksjonen kan du stille inn et tidspunkt når mikrobølgeovnen skal starte.

Et eksempel på innstilling av timerfunksjonen: Klokket er 12:30. Klokket 14:30 vil du tilberede en matrett på 100P i 3 minutter.

- ▶ Sett maten inn i mikrobølgeovnen og lukk døren.
- ▶ Trykk på **CLOCK**-knappen for å stille inn klokkeslett.
- ✓ Displayet viser 00:00.
- ▶ Trykk på knappen **+** eller **-** for å stille inn timen på 12:00.

- Trykk på **CLOCK**-knappen.
- Trykk på knappen **+** eller **-** for å stille inn minuttene til 12:30.
- Trykk på **CLOCK**-knappen igjen.
- Trykk eventuelt flere ganger på **POWER**-knappen til den ønskede mikrobølgeeffekten på 100P er valgt.
- Trykk på knappen **+** eller **-** for å stille inn tilberedningstiden til 3:00.
- Trykk på **PRESET**-knappen for å stille inn timeren.
- Trykk på knappen **+** eller **-** for å stille inn timen på 14:00.
- Trykk på **PRESET**-knappen.
- Trykk på knappen **+** eller **-** for å stille inn minuttene til 14:30.
- Trykk på **PRESET**-knappen for å lagre timerinnstillingen.
- ✓ Mikrobølgeovnen starter på det innstilte klokkeslettet.

Du kan sjekke timerfunksjonen ved å trykke på **PRESET**-knappen. Displayet viser den innstilte starttiden.

7.9 Låse knappene

Du kan stille inn en knappelås som barnesikring.

- For å aktivere knappelåsen: Hold **PAUSE/CANCEL**-knappen trykket i 3 sekunder.
- For å deaktivere knappelåsen: Hold **PAUSE/CANCEL**-knappen trykket i 3 sekunder.

8 Rengjøring og stell

- Slå av apparatet og dra ut strømkontakten før du rengjør det.
- Ikke bruk skurende rengjøringsmidler for å rengjøre apparatet.
- Hold mikrobølgeovnens indre rent. Hvis maten spruter eller det søles væske som fester seg på mikrobølgeovnens vegger, må du vaske det rent med en fuktig klut. Bruk et mildt rengjøringsmiddel hvis mikrobølgeovnen er svært tilsmusset. Unngå bruk av spray og andre kraftige rengjøringsmiddel, da de kan forårsake flekker, striper eller stumpe overflater på døren.

- De utvendige flatene skal rengjøres med en fuktig klut. For å unngå skader på driftskomponenter inne i mikrobølgeovnen, må ikke vannet trenge direkte inn i ventilasjonsåpningene.
- Tørk av døren, dørtetningene og tilgrensende deler regelmessig med en fuktig klut for å fjerne smuss eller flekker.
- Ikke la betjeningspanelet bli vått. Rengjør det med en myk, fuktig klut. La døren stå åpen slik at mikrobølgeovnen ikke slås på utilsiktet.
- Hvis det samler seg fuktighet inne i eller rundt dørens utvendige side, må denne tørkes bort med en myk klut. Dette kan skje hvis mikrobølgeovnen brukes ved høy luftfuktighet, og er helt normalt.
- Lukt i mikrobølgeovnen kan fjernes ved hjelp av en kopp vann og sitronsaft og -skall. Fyll dette opp i en dyp, mikrobølgeegnet beholder, slå på og la mikrobølgeovnen gå i 5 minutter. Tørk grundig av med en myk klut til det er tørt.
- Få en defekt lampe i mikrobølgeovnen byttet ut hos en fagforhandler.
- Mikrobølgeovnen bør rengjøres regelmessig og alle matrester fjernes. Hvis apparatet ikke holdes rent kan det påvirke overflaten negativt og redusere mikrobølgeovnens levetid.

9 Feilretting

Problem	Løsning
Mikrobølgeovnen fungerer ikke.	Forsikre deg om at mikrobølgeovnen er koblet til korrekt. Hvis den ikke er koblet til korrekt må du dra ut støpselet, vente i 10 sekunder og koble til mikrobølgeovnen igjen korrekt.
	Kontroller om en sikring har gått eller en vernebryter har blitt utløst. Hvis disse fungerer forskriftsmessig: Test stikkkontakten med et annet apparat.
	Forsikre deg om at mikrobølgeovnen og tilberedningstiden er stilt inn riktig.
	Sjekk at døren er ordentlig lukket. Hvis ikke kommer ikke mikrobølgegene inn i det innvendige rommet i mikrobølgeovnen.

10 Garanti

Lovmessig garantitid gjelder. Hvis produktet skulle være defekt, kontakter du produsentens filial i ditt land (du finner adressene på baksiden av veiledningen) eller til din faghandler.

Ved henvendelser vedrørende reparasjon eller garanti, må du sende med følgende dokumentasjon:

- kopi av kvitteringen med kjøpsdato,
- årsak til reklamasjonen eller beskrivelse av feilen.

11 Avfallsbehandling

► Lever emballasje til resirkulering så langt det er mulig.



Når du tar produktet ut av drift for siste gang, må du sørge for å få informasjon om deponeringsforskrifter hos nærmeste resirkuleringsstasjon eller hos din faghandler.

12 Tekniske spesifikasjoner

	MWO 240
Artikkelnr.:	9600008377
Merkespenning:	230 V $\overline{\text{~}}$, 50 Hz
Mikrobølgeeffekt:	700 W
Mikrobølgefrekvens:	2450 MHz
Mål utvendig H x B x D:	283 x 451 x 353 mm
Mål innvendig H x B x D:	181,5 x 303 x 321 mm
Innhold:	17 liter
Vekt:	11,5 kg

Lue tämä ohje huolellisesti läpi ennen käyttöönottoa ja säilytä ohje hyvin. Jos myyt tuotteen eteenpäin, anna ohje tällöin edelleen uudelle käyttäjälle.

Sisällysluettelo

1	Symbolien selitykset	163
2	Turvallisuusohjeet	164
3	Toimituskokonaisuus	166
4	Käyttötarkoitus	166
5	Tekninen kuvaus	167
6	Mikroaaltouunin liittäminen ja sijoittaminen paikalleen	168
7	Mikroaaltouunin käyttäminen	169
8	Puhdistus ja hoito	175
9	Vianetsintä	176
10	Takuu	177
11	Hävittäminen	177
12	Tekniset tiedot	177

1 Symbolien selitykset



VAROITUS!

Turvallisuusohje: Huomiotta jättäminen voi aiheuttaa hengenvaaran tai vakavan loukkaantumisen.



HUOMIO!

Turvallisuusohje: Huomiotta jättäminen voi johtaa loukkaantumiseen.



HUOMAUTUS!

Huomiotta jättäminen voi johtaa materiaalivaurioihin ja haitata tuotteen toimintaa.

**OHJE**

Tuotteen käyttöä koskevia lisätietoja.

2 Turvallisuusohjeet

**VAROITUS!**

- Käytä tätä laitetta ainoastaan sen käyttötarkoitukseen tässä käyttöohjeessa kuvatulla tavalla.
- Älä käytä tässä laitteessa syövyttäviä kemikaaleja.
- Älä käytä laitetta tyhjänä.
- Älä kytke laitetta käyttöön
 - jos johdoissa tai pistokkeissa on vaurioita
 - jos se ei toimi kunnolla
 - jos se on vaurioitunut tai pudonnut.
- Jos liitäntäjohto on vaurioitunut, valmistajan tai valtuutetun asiakaspalvelun tai vastaavasti pätevän henkilön pitää vaihtaa se vaaran välttämiseksi.
- Tätä laitetta voivat käyttää valvonnan alaisuudessa myös vähintään 8-vuotiaat lapset samoin kuin henkilöt, joiden fyysiset, aistinvaraiset tai henkiset valmiudet ovat rajoittuneet tai joilta puuttuu käytön vaatima kokemus tai tietämys. Tämä koskee myös tilannetta, jossa edellä mainitut henkilöt ovat saaneet laitteen turvallista käyttöä koskevan perehdytyksen ja jotka tämän perusteella ymmärtävät laitteen käytöstä aiheutuvat vaarat.
- Lapset eivät saa puhdistaa laitetta eivätkä tehdä käyttäjähuoltoa ilman valvontaa.
- Tätä laitetta ei ole tarkoitettu sellaisten henkilöiden (mukaan lukien lapset) käyttöön, joiden fyysiset, sensoriset tai psyykkiset kyvyt ovat rajoittuneita tai joilla ei ole kokemusta ja tietoa, paitsi turvallisuudesta vastaavan henkilön asianmukaisessa valvonnassa tai jos tämä on antanut kattavan opastuksen laitteen käyttöön.
- Lapsia pitää valvoa sen varmistamiseksi, etteivät he leiki laitteella.
- Säilytä ja käytä laitetta alle 8-vuotiaiden lasten ulottumattomissa.

- Mikroaaltouunin palovaaran pienentämiseksi:
 - Kun ruokia kuumennetaan muovi- tai paperiastiassa, pidä mikroaaltouunia silmällä mahdollisen syttymisen varalta.
 - Poista mikroaaltouunin kestävien paperi- ja muovipussien metallilangat ennen kuin asetat niitä mikroaaltouuniin.
 - Jos laitteessa muodostuu savua, sammuta se tai vedä verkkopistoke irti seinästä. Tukahduta mahdolliset liekit pitämällä luukku suljettuna.
 - Älä käytä sisätilaa varastoimiseen. Älä jätä paperituotteita, ruoanlaittovälineitä tai elintarvikkeita mikroaaltouuniin, kun se on käyttämättömänä.
- Astioiden soveltuvuus mikroaaltouunikäyttöön tulisi tarkastaa.
- Yksinomaan pätevä ammattihenkilökunta saa korjata mikroaaltouunia. On vaarallista, jos kouluttamattomat henkilöt suorittavat huolto- tai korjaustöitä, joihin kuuluu suojakuorten poistaminen, koska kuoret suojaavat mikroaaltotoenergiaa.



HUOMIO!

- Nestemäisiä tai muita elintarvikkeita ei saa kuumentaa suljetuissa astioissa, koska suljetut astiat voivat räjähtää.
- Juomien lämmittäminen voi johtaa viivästyneeseen äkilliseen kuohumiseen, toimi astian kanssa siksi varovasti.
- Älä paista mitään elintarvikkeita mikroaaltouunissa. Kuuma öljy voi vahingoittaa uunin osia ja välineitä ja aiheuttaa ihoon palovammoja.
- Kuorimattomia munia ja kovaksi keitettyjä munia ei tulisi kuumentaa mikroaaltouunissa, koska ne voivat räjähtää myös lämmittämisen jälkeen.
- Palovammojen välttämiseksi tuttipullojen ja lastenruokien sisältö tulisi sekoittaa tai ravistaa ja sen lämpötila tarkastaa ennen nauttimista.
- Ruoanlaittovälineet voivat kuumentua, koska lämpötila johtuu niihin kuumennetuista elintarvikkeista. Käytössä voidaan tarvita patalappuja.
- Palovammavaara! Kaikki pinnat, laitteen luukku mukaan lukien, voivat kuumentua voimakkaasti käytön aikana. Pidä pikkulapset loitolla laitteesta. Laitteen sisällä olevat lämmityselementit voivat jäädä kuumiksi käytön jälkeen. Älä kosketa laitteen sisällä olevia lämmityselementtejä.
- Älä käytä mikroaaltouunia luukun ollessa auki, koska se voi altistaa mikroaalloille. Suojalaitteistoja ei saa ohittaa tai manipuloida.
- Älä pane mitään esineitä mikroaaltouunin etupinnan ja luukun väliin.
- Poista puhdistusainajäämät, joita voisi kertyä tiivistepinnoille.

- Älä käytä laitetta, jos se on vaurioitunut. On erityisen tärkeää, että mikroaaltouunin luukku sulkeutuu kunnolla ja että vaurioita ei ole
 - luukussa (vääntynyt)
 - saranoissa ja salvoissa (murtunut tai löystynyt)
 - luukun tiivisteissä ja tiivistepinnoissa
- Älä käytä mikroaaltouunia ajon aikana.
- Älä käytä mikroaaltouunia lisävarastotilana (esim. vaatteille).

**HUOMAUTUS!**

- Vertaa tyyppikilven jännitetietoja käytettävissä olevaan energiansyöttöön.

3 Toimituskokonaisuus

- Mikroaaltouuni
- Käyttöohje

4 Käyttötarkoitus

Mikroaaltouuni on tarkoitettu käytettäväksi asuntovaunuissa ja matkailuautoissa. Se sopii ainoastaan elintarvikkeiden lyhytaikaiseen sulattamiseen ja kuumentamiseen enintään 60 minuutin jaksoissa. Tämäntyyppinen mikroaaltouuni on suunniteltu erityisesti kuumentamisen tai ruoanlaittoon. Sitä ei ole suunniteltu teollisuus- tai laboratoriokäyttöön.

Mikroaaltouunia ei ole tarkoitettu käytettäväksi vaihtovirtaverkolla.

5 Tekninen kuvaus

Mikroaaltouunissa on seuraavat osat ja käyttölaitteet:

Osat

Numero kuva 1, sivulla 3	Selitys
1	Ohjauspaneeli
2	Luukun avauspainike
3	Keraaminen levy
4	Luukun salpaus
5	Mikroaaltouunin ikkuna

Käyttölaitteet

Numero kuva 2, sivulla 3	Selitys
1	Kypsennysajan, tehon ja nykyisen ajan näyttö
2	POWER Tarvittavan mikroaaltotehon valinta 100P, 80P, 60P, 40P, 20P
3	EXPRESS EXPRESS-käyttötilan valinta: 0:30, 1:00 tai 1:30
4	COOK COOK-käyttötilan valinta ruuan kypsennystä varten
5	DEFROST DEFROST-käyttötilan valinta pakastettujen elintarvikkeiden sulatusta varten
6	CLOCK Kellonajan asetus
7	PRESET Ajastimen asetus
8	INSTANT/ START Nykyisen kypsennys- tai sulatusohjelman käynnistys tai pysäytys
9	PAUSE/ CANCEL Peruutus asetuksia tehtäessä Käytön aikana: paina kerran: käytön väliaikainen keskeytys, paina kaksi kertaa: käytön lopetus

Numero kuva 2 , sivulla 3	Selitys
10	– Kypsennysajan asetus Käytön aikana: lyhennä kypsennysaikaa tai vähennä painoa käytön aikana
11	+ Kypsennysajan asetus Käytön aikana: pidennä kypsennysaikaa tai lisää painoa käytön aikana
12	Luukun avauspainike

6 Mikroaaltouunin liittäminen ja sijoittaminen paikalleen

6.1 Mikroaaltouunin sijoittaminen

Noudata sijoittaminen yhteydessä seuraavia ohjeita:

- Varmista, että pakkausmateriaalit on poistettu luukun sisäpuolelta.
- Tarkasta, että mikroaaltouunissa ei ole vaurioita kuten väärin suunnattua tai taipunutta luukkuja, vaurioituneita luukun tiivisteitä ja tiivistepintoja, rikkoutuneita tai löysiä luukun saranoita ja salpoja sekä lommoja sisäpuolella tai luukussa. Jos havaitset vaurioita, älä ota mikroaaltouunia käyttöön, vaan käänny pätevän huoltohenkilökunnan puoleen.
- Mikroaaltouuni tulee asettaa tasaiselle, tukevalle alustalle, joka kestää laitteen ominaispainon ja painavimmatkin mahdolliset elintarvikkeet.
- Sijoita mikroaaltouuni vähintään 85 cm lattiatason yläpuolelle.
- Älä aseta mikroaaltouunia paikkaan, jossa se altistuu kuumuudelle, kosteudelle tai korkealle ilmankosteudelle äläkä palavien materiaalien lähelle.
- Mikroaaltolaitteen asianmukainen toiminta edellyttää riittävää ilmanvaihtoa. Huolehdi riittävästä raosta (n. 5 cm) ulkoseinien vieressä, jotta lämpö ei pääse patoutumaan. Älä peitä mikroaaltolaitetta tai tuki sitä. Jalkoja ei saa ottaa pois.
- Varmista, että liitäntäjohto on vahingoittumaton ja että se ei kulje mikroaaltouunin alta tai kuuman pinnan tai terävän reunan yli.
- Älä käytä mikroaaltouunia ulkona.

6.2 Mikroaaltouunin sähköliitäntä

- ▶ Liitä virtapistoke vaihtovirtaverkkoon.
- ✓ Näyttö vilkahtaa kolmesti, ja siinä näkyy “-: -”.

6.3 Ajan asetus

- ▶ Aseta aika painamalla painiketta **CLOCK**.
- ✓ Näytössä näkyy “00:00”.
- ▶ Aseta tunnit painamalla painiketta **+** tai **-**.
- ▶ Paina painiketta **CLOCK**.
- ▶ Aseta minuutit painamalla painiketta **+** tai **-**.
- ▶ Tallenna aika painamalla painiketta **CLOCK** tai odottamalla 5 sekuntia.

7 Mikroaaltouunin käyttäminen



OHJE

Uuteen mikroaaltouuniin voi muodostua hajua, joka johtuu tuotannon aikaisista jäämistä. Tuuleta oleskelutilat, kun käytät mikroaaltouunia ensimmäistä kertaa. Hajujen poistamiseksi kannattaa kuumentaa kupillinen vettä suurella teholla useamman kerran.

7.1 Elintarvikkeiden kypsentämistä koskevia tietoja

- Järjestele elintarvikkeet huolellisesti. Aseta paksuimmat osat ulospäin.
- Noudata kypsennysaikaa. Kypsennä lyhimmän ilmoitetun ajan verran ja pidennä aikaa tarvittaessa. Ylikypsennetyt elintarvikkeet voivat alkaa savuta tai syttyä tuleen.
- Peitä elintarvikkeet kypsennyksen ajaksi. Peittäminen estää roiskumisen ja takaa tasaisen kypsentyneen.
- Käännä kanan tai hampurilaisen tapaisia elintarvikkeita kerran kypsennysprosessin aikana. Suuria elintarvikkeita kuten paistia täytyy kääntää vähintään yhden kerran.
- Järjestele sellaiset elintarvikkeet kuin lihapullat uudelleen puolen ajan kuluttua ylhäältä alas ja keskeltä ulospäin.

7.2 Keittoastioita koskevia tietoja

- Ihanteellisesti mikroaaltouuniin sopiva materiaali päästää mikroaallot läpi, jolloin energia läpäisee astian ja kuumentaa elintarvikkeita.
- Mikroaallot eivät läpäise metallia, joten metalliastioita tai metallireunaisia astioita ei kannata käyttää.
- Älä käytä mikroaaltouunissa kypsentämiseen mitään kierrätyspaperituotteita, koska ne voivat sisältää pieniä metallihiukkasia, joista voi aiheuta kipinöitä ja/tai tulipaloja.
- Pyöreä/soikea astia on sopivampi kuin neliömäinen/pitkänomainen astia, koska elintarvikkeet voivat ylikuumentua kulumista.

Seuraava luettelo antaa suuntaa astioiden sopivuuden suhteen:

Keittoastiat	mikroaaltouunin kestävä
kuumankestävä lasi	Kyllä
Ei-kuumankestävä lasi	Ei
Kuumankestävä keramiikka	Kyllä
Mikroaaltouunin kestävät muoviasiat	Kyllä
Muovikääreet	Kyllä (vain pienellä teholla)
Metallikulhot	Ei
Metallitelineet	Ei
Alumiinifolio ja alumiinivuoat	Ei
Bambuastiat	Ei
Kartonkiastiat	Ei

7.3 Kypsentäminen



OHJE

- Voit säätää kypsennysajaksi enintään 60 minuuttia.
- Voit säätää mikroaaltotehon ja kypsennysajan vapaassa järjestyksessä (esim. ensin kypsennysajan ja sitten mikroaaltotehon tai päin vastoin).
- Käytettäessä suurinta mikroaaltotehoa yksikkö vähentää tehoa jonkin ajan kuluttua mikroaaltouunin käyttöiän pidentämiseksi.
- Pistä vahvakuoriin elintarvikkeisiin kuten perunoihin, kokonasiin kurpitsoihin, omenoihin ja kastanjoihin reikä ennen niiden lämmittämistä.

- Laita elintarvike mikroaaltouuniin ja sulje luukku.
- Valitse mikroaaltoteho painamalla painiketta **POWER** tarvittaessa toistuvasti:

100P	100 % mikroaaltoteho; elintarvikkeiden lämmittämiseen nopeasti
80P	80 % mikroaaltoteho; elintarvikkeiden lämmittämiseen
60P	60 % mikroaaltoteho; elintarvikkeiden höyryttämiseen
40P	40 % mikroaaltoteho; elintarvikkeiden sulattamiseen
20P	20 % mikroaaltoteho; elintarvikkeiden pitämiseen lämpimänä

- Säädä kypsennysaika painamalla painikkeita **+** tai **-**.
- Paina painiketta **INSTANT/START**.
- ✓ Kun säädetty kypsennysaika on kulunut, näytössä näkyy "End". Merkkiäni kuuluu kolmesti peräkkäin, jos mikroaaltouunin luukku ei vielä ole avattu.



VAROITUS! Kuumista elintarvikkeista aiheutuu palovammavaara!

Käytä sopivia pannulappuja, kun otat kuumennetut elintarvikkeet pois mikroaaltouunista.

- Avaa luukku ja ota kuumennettu elintarvike pois.



OHJE

Merkkiäni toistuu kolmen minuutin välein, kunnes olet avannut luukun.

Luukun avaaminen kypsennyksen aikana

Kypsennys keskeytyy, kun luukku avataan. Jäljellä oleva aika näkyy näytössä.

Jatka kypsennystä seuraavasti:

- Sulje luukku.
- Paina INSTANT/START-painiketta.

7.4 Nesteiden kuumentaminen (EXPRESS-käyttötila)

- Laita elintarvike mikroaaltouuniin ja sulje luukku.
- Valitse haluamasi kypsennysaika, 0:30, 1:00 tai 1:30, painamalla painiketta **EXPRESS** tarvittaessa toistuvasti.
- Paina painiketta **INSTANT/START**.

- ✓ Kun säädetty kypsennysaika on kulunut, näytössä näkyy "End". Merkkiäni kuuluu kolmesti peräkkäin, jos mikroaaltouunin luukku ei vielä ole avattu.



VAROITUS! Kuumista elintarvikkeista aiheutuu palovammavaara!

Käytä sopivia pannulappuja, kun otat kuumennetut elintarvikkeet pois mikroaaltouunista.

- Avaa luukku ja ota kuumennettu elintarvike pois.



OHJE

Merkkiäni toistuu kolmen minuutin välein, kunnes olet avannut luukun.

7.5 Sulatus (DEFROST-käyttötila)

- Laita elintarvike mikroaaltouuniin ja sulje luukku.
- Paina painiketta **DEFROST** ja syötä elintarvikkeen tyyppi seuraavan taulukon mukaan:

d.1 Lihan sulatus (0,1–2,0 kg)

d.2 Linnunlihan sulatus (0,2–3,0 kg)

d.3 Kalan sulatus (0,1–0,9 kg)

- Aseta paino painamalla painiketta **+** tai **-**.
- Käynnistä sulatusohjelma painamalla painiketta **INSTANT/START**.
- ✓ Kun sulatusohjelma on päättynyt, näytössä näkyy "End" ja merkkiäni kuuluu kolmesti peräkkäin.



OHJE

Määritellyt sulatusajat ovat suuntaa antavia. Todellisuudessa tarvittava sulatusaika riippuu elintarvikkeen lajista ja vesipitoisuudesta (liha, kala, kasvikset, hedelmät, leipä jne.). Mitä suurempi elintarvikkeen vesipitoisuus on, sitä kauemmin sulattaminen kestää. Jotta lämpö jakautuisi tasaisesti, käännä elintarviketta sulatuksen aikana tai muuta sen suuntaa.

7.6 Tiettyjen ruokien lämmittäminen (COOK-käyttötila)

- Laita elintarvike mikroaaltouuniin ja sulje luukku.
- Valitse haluamasi ruokalaji painamalla painiketta **COOK** tarvittaessa toistuvasti:

A.1	Popcorn 85 g	Tyypillinen pakkaus mikroaaltouunissa valmistettavaa popcornia pakkauksen koko 85 g. Paina painiketta PAUSE/CANCEL, kun vain 1 maissinjyvä pokahtaa 1–2 sekunnin välein.
A.2	Popcorn 100 g	Kuten kohdassa A.1, pakkauksen koko 100 g.
A.3	Pitsa	Lämmitä 1 pakastepitsa (0,15 kg).
A.4	Juomat 250 ml	Kupillinen, 250 ml, nestettä, jonka lämpötila on 5...10 °C. Käytä laakeaa kuppia. Älä peitä kuppia.
A.5	Juomat 500 ml	Kuten kohdassa A.4, kupissa 500 ml nestettä.
A.6	Perunat	Perunasuikaleiden kypsentyminen (leikkaa perunat 5 mm leveiksi paloiksi). Paino 0,45 kg. Levitä suikaleet laakealle lautaselle. Peitä perunat sopivalla muovikääreellä, jotta ne eivät kuivu.
A.7	Perunat	Kuten kohdassa A.6, paino 0,65 kg.
A.8	Kala	Kalan hellävarainen kypsentyminen. Paino 0,45 kg. Tee valmisteltuun kalaan viiltoja. Aseta kala isolle lautaselle, mausta kala ja peitä se tarkoitukseen soveltuvalla muovikääreellä, jotta se ei kuivu. Anna kalan levätä 2 minuuttia kypsennyksen jälkeen.

- Paina painiketta **INSTANT/START**.
- ✓ Kun säädetty kypsennysaika on kulunut, näytössä näkyy "End". Merkkiäni kuuluu kolmesti peräkkäin, jos mikroaaltouunin luukku ei vielä ole avattu.



VAROITUS! Kuumista elintarvikkeista aiheutuu palovammavaara!

Käytä sopivia pannulappuja, kun otat kuumennetut elintarvikkeet pois mikroaaltouunista.

**OHJE**

Määritellyt automaattiset kypsennysohjelmat perustuvat keskiarvoihin. Todellinen tarvittava kypsennysaika riippuu elintarvikkeen lämpötilasta, lajista ja painosta. Voit säätää mikroaaltotehon ja kypsennysajan eri vaiheissa omien tarpeittesi mukaan (ks. kap. "Monivaiheisen kypsennysohjelman asettaminen" sivulla 174).

- Avaa luukku ja ota kuumennettu elintarvike pois.

**OHJE**

Merkkiäni toistuu kolmen minuutin välein, kunnes olet avannut luukun.

7.7 Monivaiheisen kypsennysohjelman asettaminen

Voit säätää mikroaaltotehon ja kypsennysajan enintään 4-vaiheisesti omien tarpeittesi mukaan.

Esimerkki 2-vaiheisesta kypsennysohjelmasta: Haluat kypsentää ruokaa 100P-teholla 3 minuutin ajan ja sitten 20P-teholla 9 minuutin ajan.

- Laita elintarvike mikroaaltouuniin ja sulje luukku.
- Paina painiketta **POWER** tarvittaessa toistuvasti, kunnes mikroaaltoteho 100P on valittu.
- Säädä kypsennysajaksi 3:00 minuuttia painamalla painikkeita **+** tai **-**.
- Paina painiketta **POWER** tarvittaessa toistuvasti, kunnes mikroaaltoteho 20P on valittu.
- Säädä kypsennysajaksi 9:00 minuuttia painamalla painikkeita **+** tai **-**.
- Paina painiketta **INSTANT/START**.

7.8 Ajastimen ohjelmointi

Ajastintoiminnon ansiosta voit säätää mikroaaltouunin käynnistymään haluttuna hetkenä.

Esimerkki ajastintoiminnon asettamisesta: Kello on 12.30. Haluat kypsentää ruokaa kello 14.30 100P:n teholla 3 minuutin ajan.

- Laita elintarvike mikroaaltouuniin ja sulje luukku.
- Aseta aika painamalla painiketta **CLOCK**.
- ✓ Näytössä näkyy "00:00".

- Aseta tunnit lukemaan 12.00 painamalla painiketta **+** tai **-**.
- Paina painiketta **CLOCK**.
- Aseta minuutit lukemaan 12.30 painamalla painiketta **+** tai **-**.
- Paina uudestaan painiketta **CLOCK**.
- Paina painiketta **POWER** tarvittaessa toistuvasti, kunnes mikroaaltoteho 100P on valittu.
- Säädä kypsennysajaksi 3 minuuttia painamalla painikkeita **+** tai **-**.
- Aseta ajastin painamalla painiketta **PRESET**.
- Aseta tunnit lukemaan 14.00 painamalla painiketta **+** tai **-**.
- Paina painiketta **PRESET**.
- Aseta minuutit lukemaan 14.30 painamalla painiketta **+** tai **-**.
- Tallenna ajastimen asetukset painamalla painiketta **PRESET** uudestaan.
- ✓ Mikroaaltouuni käynnistyy asetetulla hetkellä.

Voit tarkistaa ajastintoiminnon painamalla painiketta **PRESET**. Näytöstä näet esiasetetun käynnistyshetken.

7.9 Painikkeiden lukitseminen

Voit lukita painikkeet, jotta lapset eivät voi käyttää laitetta.

- Painikkeiden lukitus aktivoidaan painamalla painiketta **PAUSE/CANCEL** 3 sekunnin ajan.
- Painikkeiden lukitus deaktivoidaan painamalla painiketta **PAUSE/CANCEL** 3 sekunnin ajan.

8 Puhdistus ja hoito

- Kytke laite pois päältä ja vedä verkkopistoke irti ennen sen puhdistamista.
- Älä käytä puhdistamiseen hankausaineita.
- Pidä mikroaaltouunin sisäpuoli puhtaana. Jos ruoka roiskuu tai loiskahtaneita nesteitä tarttuu mikroaaltouunin seiniin, pyyhi uuni puhtaaksi kostealla liinalla. Käytä mietoa puhdistusainetta, jos mikroaaltouuni on hyvin likainen. Vältä suihkeiden ja muiden voimakasvaikutteisten puhdistusaineiden käyttöä, koska ne voivat jättää läikkiä, raitoja tai mattakohtia luukkuun.

- Ulkopinnat kannattaa puhdistaa kostealla liinalla. Jotta mikroaaltouunin sisäpuolen osat eivät vaurioidu, vettä ei saa päästä suoraan sisään tuuletusaukoista.
- Pyyhi luukku, luukun tiivisteet ja reunustavat osat säännöllisesti kostealla liinalla lian ja roiskeiden poistamiseksi.
- Älä päästä käyttökenttää kastumaan. Puhdista se pehmeällä, kostealla liinalla. Jätä luukku auki, jotta et kytke mikroaaltouunia vahingossa päälle.
- Jos kosteutta kertyy luukun sisäpuolelle tai ulkopinnalle, kuivaa ne pehmeällä liinalla. Näin voi tapahtua, kun mikroaaltouunia käytetään hyvin kosteissa oloissa. Se on normaalia.
- Hajut voi poistaa mikroaaltouunista kupillisella vettä sekä sitruunamehulla ja sitruunankuorella. Laita ne syvään, mikroaaltouunin kestävään astiaan ja kytke mikroaaltouuni päälle 5 minuutiksi. Pyyhi se perusteellisesti ja kuivaa pehmeällä liinalla.
- Vaihdeta rikkiäinen mikroaaltouunin lamppu jälleenmyyjällä.
- Mikroaaltouuni kannattaa puhdistaa säännöllisesti ja kaikki elintarvikkejäämät on syytä poistaa. Jos laitetta ei pidetä puhtaana, se voi vaikuttaa pintoihin ja lyhentää laitteen kestoikää.

9 Vianetsintä

Vika	Ratkaisu
Mikroaaltouuni ei toimi.	Varmista, että mikroaaltouuni on liitetty oikein. Jos sitä ei ole liitetty oikein, irrota pistoke, odota 10 sekuntia ja liitä mikroaaltouuni oikein.
	Tarkista, onko sulake palanut tai suojakytkin lauennut. Jos ne toimivat oikein, testaa pistorasia toisen laitteen avulla.
	Varmista, että mikroaaltouuni ja kypsennysaika on säädetty oikein.
	Tarkista, onko luukku suljettu oikein. Muussa tapauksessa mikroaaltolot eivät pääse mikroaaltouunin sisätilaan.

10 Takuu

Laitetta koskee lakisääteinen takuu-aika. Jos tuote sattuu olemaan viallinen, käänny maasi valmistajan toimipisteen puoleen (osoitteet käyttöohjeen takasivulla) tai ota yhteyttä omaan ammattikauppiaseesi.

Korjaus- ja takuukäsittelyä varten lähetä mukana seuraavat asiakirjat:

- kopio ostolaskusta, jossa näkyy ostopäivä,
- valitusperuste tai vikakuvaus.

11 Hävittäminen

- Vie pakkausmateriaali mahdollisuuksien mukaan vastaavan kierrätysjätteen joukkoon.



Jos poistat tuotteen lopullisesti käytöstä, pyydä tietoa sen hävittämistä koskevista määräyksistä lähimmästä kierrätyskeskuksesta tai ammattiliikkeestäsi.

12 Tekniset tiedot

	MWO 240
Tuotenumero:	9600008377
Nimellisjännite:	230 V $\overline{=}$, 50 Hz
Mikroaaltoteho:	700 W
Mikroaaltotaajuus:	2450 MHz
Ulkomitat K x L x S:	283 x 451 x 353 mm
Sisämitat K x L x S:	181,5 x 303 x 321 mm
Tilavuus:	17 litraa
Paino:	11,5 kg

Прочтите данную инструкцию перед вводом в эксплуатацию и сохраните ее. В случае передачи продукта передайте инструкцию следующему пользователю.

Оглавление

1	Пояснение к символам	178
2	Указания по технике безопасности	179
3	Комплект поставки	181
4	Использование по назначению	182
5	Техническое описание	182
6	Присоединение и настройка СВЧ-печи	183
7	Использование СВЧ-печи	184
8	Очистка и уход	192
9	Устранение неисправностей	193
10	Гарантия	193
11	Утилизация	194
12	Технические характеристики	194

1 Пояснение к символам



ПРЕДУПРЕЖДЕНИЕ!

Указания по технике безопасности: Несоблюдение может привести к смертельному исходу или тяжелым травмам.



ОСТОРОЖНО!

Указания по технике безопасности: Несоблюдение может привести к травмам.



ВНИМАНИЕ!

Несоблюдение может привести к повреждениям и нарушить работу продукта.

**УКАЗАНИЕ**

Дополнительная информация по управлению продуктом.

2 Указания по технике безопасности

**ПРЕДУПРЕЖДЕНИЕ!**

- Используйте прибор только для целей, указанных в настоящем руководстве.
- Запрещается помещать внутрь прибора агрессивные химические вещества.
- Не используйте прибор, если он пустой.
- Запрещается использовать прибор,
 - если повреждены кабель или вишка
 - если работает неправильно
 - после его повреждения или падения.
- Чтобы не допустить возникновения опасных ситуаций, замена поврежденного кабеля должна производиться изготовителем, сервисным центром или имеющим аналогичную квалификацию персоналом.
- Это изделие может использоваться детьми с 8-ми лет и старше, а также лицами с ограниченными физическими, сенсорными и умственными возможностями или при недостатке необходимого опыта и знаний только под присмотром или после прохождения инструктажа по безопасному использованию изделия, если соответствующие лица понимают опасности, которые при этом могут возникнуть.
- Запрещается выполнять очистку и пользовательское техническое обслуживание детям без присмотра.
- Лица (в том числе дети), которые в связи с ограниченными физическими, сенсорными или умственными способностями или с недостатком опыта или знаний не в состоянии пользоваться данным изделием, не должны использовать это изделие без присмотра или инструктажа ответственного лица.
- Необходимо постоянно следить за детьми и не допускать игр с изделием.
- Поэтому храните и используйте устройство в месте, недоступном для детей младше 8-ми лет.

- Чтобы исключить опасность пожара внутри СВЧ-устройства:
 - При разогреве продуктов питания в пластиковых или бумажных проверять микроволновую печь, чтобы не допустить воспламенения.
 - Снять проволоку с подходящих для СВЧ-печей бумажных или пластиковых пакетов, прежде чем помещать их в микроволновую печь.
 - При возникновении дыма выключить прибор и вытащить вилку из розетки питания. Держать дверь закрытой, чтобы погасить пламя.
 - Не использовать внутреннюю камеру печи для хранения. Не оставлять бумажные изделия, кухонные принадлежности или продукты питания внутри микроволновой печи, если она не используется.
- Убедиться, что посуда подходит для использования в микроволновой печи.
- Ремонт микроволновой печи должен выполняться только специалистами с соответствующей квалификацией. Работы по ремонту и обслуживанию, требующие снятия крышек и панелей, защищающих от опасного СВЧ-излучения, являются опасными, если выполняются лицами, не имеющими необходимой квалификации.



ОСТОРОЖНО!

- Не подогревать жидкие и другие подобные продукты в закрытых контейнерах, так как такие продукты могут взорваться.
- В процессе нагрева напитков через некоторое время возможно резкое закипание, поэтому обращаться с контейнерами нужно с осторожностью.
- Не жарить продукты в микроволновой печи. Горячее масло может повредить части печи и кухонные принадлежности и вызвать ожоги.
- Не подогревать в микроволновой печи яйца в скорлупе или сваренные вкрутую, так как яйца могут взорваться в результате нагрева.
- Содержание бутылочек и стеклянных банок с детским питанием перемешать или встряхнуть. Во избежание ожогов перед употреблением детского питания проверить его температуру.
- Кухонные принадлежности могут быть горячими, так как хорошо поглощают тепло горячих продуктов питания. Использовать в таких случаях прихватки.

- Опасность ожога! Все поверхности, включая дверь устройства, могут стать горячими во время работы. Не подпускайте маленьких детей к устройству. Нагревательные элементы в устройстве после окончания работы могут остаться горячими. Не касайтесь нагревательных элементов в устройстве.
- Не использовать СВЧ-устройство с открытой дверью, так как оно является источником опасного микроволнового излучения. Запрещается отключать защитное оснащение или выполнять с ним какие-либо манипуляции.
- Не помещайте объекты между лицевой поверхностью микроволновой печи и дверью.
- Удалите остатки чистящего средства, которые могут скопиться на уплотнительных поверхностях.
- Запрещается использовать устройство, если оно повреждено. Следить за тем, чтобы дверь закрывалась правильно. Запрещается использовать устройство, если
 - повреждена или деформирована дверь,
 - сломаны или заблокированы петли и замки,
 - повреждены уплотнения двери и уплотняющие поверхности.
- Не использовать СВЧ-печь во время движения автомобиля.
- Не использовать СВЧ-печь как дополнительное место хранения (например, одежды).



ВНИМАНИЕ!

- Убедитесь, что значения напряжения, указанные на заводской табличке, соответствуют характеристикам имеющегося источника питания.

3 Комплект поставки

- СВЧ-печь
- Инструкция по эксплуатации

4 Использование по назначению

СВЧ-печь предназначена для установки в жилых прицепах или автофургонах. Она подходит для размораживания и подогрева продуктов питания в течение непродолжительного времени (не более 60 минут). СВЧ-печи этого типа предназначены для подогрева продуктов питания и приготовления блюд. Они не предназначены для использования в производствах и в лабораториях.

Микроволновая печь предназначена для работы от сети переменного тока.

5 Техническое описание

Микроволновая печь имеет следующие компоненты и органы управления:

Компоненты

Поз. на рис. 1 , стр. 3	Пояснение
1	Панель управления
2	Механизм открывания двери
3	Керамическая пластина
4	Замок дверцы
5	Окно СВЧ-печи

Элементы управления

Поз. на рис. 2 , стр. 3	Пояснение
1	Дисплей, на котором отображается время приготовления, мощность и текущее время
2	POWER Выбор мощности СВЧ-излучения 100P, 80P, 60P, 40P, 20P
3	EXPRESS Выбор режима работы EXPRESS: 0:30, 1:00 или 1:30
4	COOK Выбор режима работы COOK
5	DEFROST Выбор режима работы DEFROST для размораживания замороженных продуктов питания

Поз. на рис. 2 , стр. 3		Пояснение
6	CLOCK	Настройка времени
7	PRESET	Настройка таймера
8	INSTANT/ START	Запуск и останов программы приготовления или разморозки
9	PAUSE/ CANCEL	Отмена при выполнении настроек Во время работы: нажать один раз: пауза в работе, нажать два раза: остановка работы
10	-	Настройка времени приготовления Во время работы: уменьшение времени приготовления или веса во время работы
11	+	Настройка времени приготовления Во время работы: увеличение времени приготовления или веса во время работы
12		Механизм открывания двери

6 Присоединение и настройка СВЧ-печи

6.1 Установка печи

При установке соблюдайте следующие указания:

- Удалите все упаковочные материалы с внутренней части дверцы.
- Проверьте СВЧ-устройство на наличие повреждений (неправильно установленная или деформированная дверца, поврежденные уплотнения двери и уплотнительные поверхности, сломанные или незакрепленные петли и замки, вмятины внутри СВЧ-камеры или на двери). Если обнаружены повреждения, не используйте СВЧ-устройство и обратитесь к квалифицированному специалисту.
- СВЧ-устройство установите на ровную устойчивую поверхность, на которой устройству может удерживать свой вес вместе с самыми тяжелыми продуктами питания.
- Разместите микроволновую печь на высоте не менее 85 см над полом.
- Не ставьте СВЧ-устройство вблизи источников тепла, влажности, влажного воздуха или рядом с легковоспламеняемыми материалами.

- Для нормальной работы СВЧ-устройства требуется достаточный приток воздуха. Чтобы обеспечить нормальный теплообмен, расстояние от наружных стенок до ближайших предметов должно быть не менее 5 см. Не закрывайте и не перекрывайте отверстия на СВЧ-устройстве. Не снимайте ножки с устройства.
- Убедитесь, что кабель питания не поврежден, не проходит под СВЧ-устройством или через горячие и острые поверхности.
- Не используйте СВЧ-устройство на открытом воздухе.

6.2 Присоединение микроволновой печи к электрической сети

- Присоедините вилку к сети переменного тока.
- ✓ Дисплей мигает три раза, после чего на нем появляется индикация «-: -».

6.3 Установка часов

- Чтобы настроить часы нажмите кнопку **CLOCK**.
- ✓ На дисплее появится «00:00».
- Для установки значения часов нажмите кнопки **+** или **-**.
- Нажмите кнопку **CLOCK**.
- Для установки значения минут нажмите кнопки **+** или **-**.
- Нажмите кнопку **CLOCK** или подождите 5 секунд, чтобы сохранить настройку времени в памяти.

7 Использование СВЧ-печи



УКАЗАНИЕ

Новая СВЧ-печь может вызвать запах, связанный с остатками производственных материалов. Проветривайте жилое помещение, используя СВЧ-печь первые несколько раз. Для устранения запаха рекомендуется несколько раз нагреть чашку воды при большой мощности.

7.1 Информация о приготовлении продуктов питания

- Хорошо распределите продукты питания в печи. Расположите продукты толстой частью наружу.
- Выбирайте подходящее время приготовления. Готовьте не меньше, чем указано, и, если необходимо, увеличьте время приготовления. Передержанные продукты питания могут задымиться или загореться.
- Во время приготовления накрывайте продукты крышкой, чтобы не допустить разбрызгивания и обеспечить равномерное распределение тепла.
- Такие продукты, как цыплята или гамбургеры, нужно переворачивать во время приготовления один раз. Крупные продукты, такие как запекаемое мясо, нужно переворачивать не менее одного раза.
- Продукты, такие как мясные фрикадельки, нужно в середине приготовления перемешать, чтобы верхние слои оказались внизу, а внутренние — снаружи.

7.2 Информация о посуде для приготовления

- Для СВЧ-устройств подходит посуда из материалов, пропускающих микроволновое излучение. Микроволновое излучение должно попадать внутрь посуды и нагревать продукты питания.
- Металлы являются непрозрачными для микроволнового излучения, поэтому не используйте металлическую посуду или посуду с металлической каймой.
- Запрещается использовать для приготовления в СВЧ-устройстве изделия из переработанной бумаги, так как они могут содержать мелкие металлические фрагменты, которые могут стать источником искр и / или возгорания.
- Круглая и овальная посуда лучше подходит, чем квадратная или удлиненная: продукты нагреваются в углах посуды сильнее.

Ниже приводится список рекомендуемой для использования в СВЧ-устройствах посуды:

Посуда	подходит для СВЧ
Огнеупорное стекло	Да
Обычное стекло	Нет
Огнеупорная керамика	Да
Пластиковая посуда для СВЧ-печей	Да
Пищевая пленка	Да (только при низкой мощности)
Металлические миски	Нет
Металлические решетки	Нет
Алюминиевая фольга и контейнеры из алюминиевой фольги	Нет
Бамбуковая столовая посуда	Нет
Картонная столовая посуда	Нет

7.3 Приготовление



УКАЗАНИЕ

- Максимальное время приготовления составляет 60 минут.
- Мощность и время приготовления можно выставить в любой последовательности (например, сначала задать время приготовления, затем мощность и наоборот).
- При достижении максимальной мощности СВЧ-излучения устройство через какое-то время уменьшает мощность, чтобы продлить срок службы микроволновой печи.
- Проткнуть перед нагревом продукты с плотной и твердой кожей, такие как клубни картофеля, тыквы, яблоки и каштаны.

- Положите продукт в камеру СВЧ-печи и закройте дверцу.
- Чтобы выбрать мощность СВЧ-излучения, нажмите кнопку **POWER** один или несколько раз:

100P	100% мощность СВЧ-излучения; быстрый нагрев продуктов питания
80P	80% мощность СВЧ-излучения; нагрев продуктов питания
60P	60% мощность СВЧ-излучения; бланширование продуктов питания
40P	40% мощность СВЧ-излучения; размораживание продуктов питания
20P	20% мощность СВЧ-излучения; поддержание продуктов питания в теплом состоянии

- Чтобы изменить время приготовления, нажмите кнопки **+** или **-**.
- Нажмите кнопку **INSTANT/START**.
- ✓ После завершения отсчета заданного времени приготовления на дисплее появится надпись «End». Если дверь не будет открыта, о завершении отсчета устройство сообщит тройным звуковым сигналом.



ПРЕДУПРЕЖДЕНИЕ! Горячие продукты могут вызвать ожог!

Для извлечения продуктов питания из СВЧ-печи используйте подходящие прихватки.

- Откройте дверь и извлеките разогретые продукты.



УКАЗАНИЕ

Звуковой сигнал будет раздаваться каждые три минуты, пока не будет открыта дверь.

Открытие дверцы во время приготовления

При открывании дверцы процесс приготовления останавливается. На дисплее отображается оставшееся время приготовления.

Процесс приготовления можно настроить следующим образом:

- Закрывать крышку.
- Нажмите кнопку **INSTANT/START**.

7.4 Нагревание жидкостей (режим работы EXPRESS)

- Положите продукт в камеру СВЧ-печи и закройте дверцу.
- Нажмите кнопку **EXPRESS** несколько раз, чтобы выбрать требуемое время приготовления: 0:30, 1:00 или 1:30.
- Нажмите кнопку **INSTANT/START**.
- ✓ После завершения отсчета заданного времени приготовления на дисплее появится надпись «End». Если дверь не будет открыта, о завершении отсчета устройство сообщит тройным звуковым сигналом.



ПРЕДУПРЕЖДЕНИЕ! Горячие продукты могут вызвать ожог!

Для извлечения продуктов питания из СВЧ-печи используйте подходящие прихватки.

- Откройте дверь и извлеките разогретые продукты.



УКАЗАНИЕ

Звуковой сигнал будет раздаваться каждые три минуты, пока не будет открыта дверь.

7.5 Размораживание (режим работы DEFROST)

- Положите продукт в камеру СВЧ-печи и закройте дверцу.
- Нажмите кнопку **DEFROST** и введите тип продукта питания в соответствии со следующей таблицей:

d.1	Размораживание мяса (от 0,1 до 2,0 кг)
d.2	Размораживание птицы (от 0,2 до 3,0 кг)
d.3	Размораживание рыбы (от 0,1 до 0,9 кг)

- Для установки значения веса нажмите кнопки **+** или **-**.
- Чтобы начать процесс размораживания, нажмите кнопку **INSTANT/START**.
- ✓ После завершения процесса размораживания на дисплее выводится сообщение «End» и раздается трехкратный звуковой сигнал.



УКАЗАНИЕ

Указанное время размораживание является ориентировочным. Фактическое время зависит от типа продукта и содержания воды (мясо, рыба, овощи, фрукты, хлеб и т.д.). Чем выше содержание воды в продукте, тем больше времени требуется на оттаивание. Для равномерного распределения тепла во время размораживания рекомендуется поворачивать или переворачивать продукт.

7.6 Разогрев определенных блюд (режим работы **COOK**)

- Положите продукт в камеру СВЧ-печи и закройте дверцу.
- Чтобы выбрать требуемое блюдо, нажмите кнопку **COOK** один или несколько раз:

A.1	Попкорн 85 г	Для типовой упаковки попкорна весом 85 г. Нажмите кнопку PAUSE/CANCEL, когда только 1 зерно лопается каждые 1 - 2 секунды.
A.2	Попкорн 100 г	Как для A.1, но пакет весом 100 г.
A.3	Пицца	Разогрев 1 замороженной пиццы (0,15 кг).
A.4	Напитки 250 мл	Для чашки, содержащей 250 мл жидкости при температуре приблизительно 5 - 10 °С. Используйте широкую чашку. Не накрывайте чашку.
A.5	Напитки 500 мл	Как для A.4, но для чашки с 500 мл жидкости.
A.6	Картофель	Приготовление кусочков картофеля (нарезанных шириной 5 мм). Для веса 0,45 кг. Распределите кусочки по большой тарелке. Для предотвращения высыхания накройте картофель подходящей пластиковой пищевой пленкой.
A.7	Картофель	Как для A.6, но для веса 0,65 кг.
A.8	Рыба	Для бережного приготовления рыбы. Для веса 0,45 кг. Сделайте надрезы в подготовленной рыбе. Расположите рыбу на большой тарелке, приправьте ее и для предотвращения высыхания накройте подходящей пластиковой пищевой пленкой. После завершения приготовления оставьте рыбу на 2 минуты.

- Нажмите кнопку **INSTANT/START**.

- ✓ После завершения отсчета заданного времени приготовления на дисплее появится надпись «End». Если дверь не будет открыта, о завершении отсчета устройство сообщит тройным звуковым сигналом.

**ПРЕДУПРЕЖДЕНИЕ! Горячие продукты могут вызвать ожог!**

Для извлечения продуктов питания из СВЧ-печи используйте подходящие прихватки.

**УКАЗАНИЕ**

Указанные автоматические программы приготовления основаны на рекомендациях. Требуемое в действительности время приготовления зависит от температуры, типа и веса продукта. Вы можете отрегулировать мощность СВЧ-излучения и время приготовления в соответствии со своими предпочтениями в несколько этапов (см. гл. «Настройка многоэтапной программы приготовления» на стр. 190).

- Откройте дверь и извлеките разогретые продукты.

**УКАЗАНИЕ**

Звуковой сигнал будет раздаваться каждые три минуты, пока не будет открыта дверь.

7.7 Настройка многоэтапной программы приготовления

Вы можете отрегулировать мощность СВЧ-излучения и время приготовления в соответствии со своими предпочтениями. При этом программа может иметь до 4 этапов.

Пример 2-этапной программы приготовления: Вы хотите готовить блюдо на мощности 100P в течение 3 минут, а затем на мощности 20P в течение 9 минут.

- Положите продукт в камеру СВЧ-печи и закройте дверцу.
- Чтобы выбрать мощность СВЧ-излучения в режиме 100P, нажмите кнопку **POWER** один или несколько раз.
- Чтобы настроить время приготовления 3:00 минуты, нажмите кнопки **+** или **-**.
- Чтобы выбрать мощность СВЧ-излучения в режиме 20P, нажмите кнопку **POWER** один или несколько раз.
- Чтобы настроить время приготовления 9:00 минут, нажмите кнопки **+** или **-**.
- Нажмите кнопку **INSTANT/START**.

7.8 Программирование таймера

Функция таймера позволяет вам настроить предпочтительное время начала работы микроволновой печи.

Пример настройки функции таймера: Сейчас 12:30. В 14:30 вы хотели бы приготовить блюдо на мощности 100P в течение 3 минут.

- ▶ Положите продукт в камеру СВЧ-печи и закройте дверцу.
- ▶ Чтобы настроить часы, нажмите кнопку **CLOCK**.
- ✓ На дисплее появится «00:00».
- ▶ Чтобы настроить часы на 12:00, нажмите кнопки **+** или **-**.
- ▶ Нажмите кнопку **CLOCK**.
- ▶ Чтобы настроить минуты на 12:30, нажмите кнопки **+** или **-**.
- ▶ Еще раз нажмите кнопку **CLOCK**.
- ▶ Чтобы выбрать мощность СВЧ-излучения в режиме 100P, нажмите кнопку **POWER** один или несколько раз.
- ▶ Чтобы настроить время приготовления на 3:00 минуты, нажмите кнопки **+** или **-**.
- ▶ Чтобы настроить таймер, нажмите кнопку **PRESET**.
- ▶ Чтобы настроить часы на 14:00, нажмите кнопки **+** или **-**.
- ▶ Нажмите кнопку **PRESET**.
- ▶ Чтобы настроить минуты на 14:30, нажмите кнопки **+** или **-**.
- ▶ Чтобы сохранить настройку таймера, еще раз нажмите кнопку **PRESET**.
- ✓ Микроволновая печь начнет работу в установленное время.

Можно проверить функцию таймера, нажав кнопку **PRESET**. На дисплее появится настроенное время пуска.

7.9 Блокировка кнопок

Вы можете настроить блокировку кнопок для обеспечения безопасности детей.

- ▶ Для активирования блокировки кнопок удерживайте кнопку **PAUSE/CANCEL** нажатой в течение 3 секунд.
- ▶ Для деактивирования блокировки кнопок удерживайте кнопку **PAUSE/CANCEL** нажатой в течение 3 секунд.

8 Очистка и уход

- Перед выполнением работ по очистке выключите устройство и вытащите вилку питания.
- Не используйте обезжириватели для очистки устройства.
- Поддерживайте чистоту в камере СВЧ-устройства. Удалите остатки продуктов питания и брызги жидкостей со стенок СВЧ-устройства с помощью влажной тряпки. Используйте мягкое чистящее средство, если СВЧ-печь сильно загрязнена. Не используйте для очистки аэрозоли и острые предметы, которые могут оставить следы или затупить поверхности на дверце.
- Очистите внешние поверхности влажной тканью. Не допускайте попадания воды в вентиляционные отверстия, так как она может повредить рабочие компоненты внутри камеры СВЧ-устройства.
- Регулярно удаляйте загрязнения и брызги с дверцы, уплотнений на дверце и прилегающих к ним частей, протирая их влажной тканью.
- Не допускайте скопления влаги на панели управления. Для очистки используйте мягкую, влажную тряпку. Оставьте дверцу открытой, чтобы не допустить непреднамеренного включения СВЧ-устройства.
- Влагу, скопившуюся внутри или снаружи дверцы, удалите мягкой тряпкой. Влага в этих местах может образовываться, если СВЧ-устройство работает в условиях повышенной влажности. Это не является неисправностью.
- Чтобы удалить запах из СВЧ-устройства, чашку воды, сок и цедру лимона налейте в глубокую емкость, пригодную для использования в СВЧ-печах, и включите устройство на 5 минут. Вытрите насухо камеру мягкой тряпкой.
- Замену неисправных СВЧ-ламп производите в специализированном магазине.
- Регулярно чистите СВЧ-устройство и удаляйте с его поверхностей остатки продуктов. Если не поддерживать чистоту, поверхности устройства портятся и сокращается срок службы устройства.

9 Устранение неисправностей

Неисправность	Устранение
СВЧ-устройство не работает.	Убедитесь, что СВЧ-устройство правильно подключено. Если устройство подключено неправильно, вытащите вилку питания, подождите 10 секунд и правильно подсоедините устройство к источнику питания.
	Возможно, сгорел предохранитель или сработало УЗО. Если предохранитель или УЗО исправны, проверьте розетку, используя другое устройство.
	Убедитесь, что СВЧ-устройство и время приготовления настроены правильно.
	Убедитесь, что дверца закрывается правильно. В противном случае микроволновое излучение не проникает в камеру СВЧ-устройства.

10 Гарантия

Действителен установленный законом срок гарантии. Если продукт неисправен, обратитесь в представительство изготовителя в Вашей стране (адреса см. на оборотной стороне инструкции) или в торговую организацию.

В целях проведения ремонта или гарантийного обслуживания Вы должны также послать следующие документы:

- копию счета с датой покупки,
- причину рекламации или описание неисправности.

11 Утилизация

- По возможности, выкидывайте упаковочный материал в мусор, подлежащий вторичной переработке.



Если Вы окончательно выводите продукт из эксплуатации, то получите информацию в ближайшем центре по вторичной переработке или в торговой сети о соответствующих предписаниях по утилизации.

12 Технические характеристики

	MWO 240
Арт. №:	9600008377
Номинальное напряжение:	230 В _~ , 50 Гц
Мощность СВЧ-излучения:	700 Вт
Частота излучения:	2450 МГц
Размеры В x Ш x Г:	283 x 451 x 353 мм
Размеры внутренней камеры В x Ш x Г:	181,5 x 303 x 321 мм
Вместимость:	17 литр
Вес:	11,5 кг

Przed uruchomieniem urządzenia należy uważnie przeczytać niniejszą instrukcję. Instrukcję należy zachować. W razie przekazywania urządzenia należy ją udostępnić kolejnemu nabywcy.

Spis treści

1	Objaśnienie symboli	195
2	Wskazówki bezpieczeństwa	196
3	Zakres dostawy	198
4	Użytkowanie zgodne z przeznaczeniem	198
5	Opis techniczny	199
6	Podłączanie i nastawa kuchenki mikrofalowej.	200
7	Obsługa kuchenki mikrofalowej.	201
8	Czyszczenie i pielęgnacja.	209
9	Usuwanie usterek	210
10	Gwarancja	210
11	Utylizacja	211
12	Dane techniczne	211

1 Objąśnienie symboli



OSTRZEŻENIE!

Wskazówka dot. bezpieczeństwa: Nieprzestrzeżenie może prowadzić do śmierci lub ciężkich obrażeń ciała.



OSTROŻNIE!

Wskazówka dot. bezpieczeństwa: Nieprzestrzeżenie może prowadzić do obrażeń ciała.



UWAGA!

Nieprzestrzeżenie może prowadzić do powstania szkód materialnych i zakłóceń w działaniu produktu.

**WSKAZÓWKA**

Informacje uzupełniające dot. obsługi produktu.

2 Wskazówki bezpieczeństwa

**OSTRZEŻENIE!**

- To urządzenie należy używać tylko zgodnie z opisaniem w instrukcji przeznaczeniem.
- Nie stosować w tym urządzeniu żadnych żrących chemikaliów.
- Nie używać tego urządzenia, gdy jest ono puste.
- Nie korzystać z urządzenia:
 - jeśli przewód lub wtyczka są uszkodzone
 - jeśli nie działa prawidłowo
 - jeśli uległo uszkodzeniu lub upadkowi.
- W celu uniknięcia zagrożenia, uszkodzony kabel przyłączeniowy powinien zostać wymieniony przez producenta, punkt serwisowy lub inną osobę posiadającą odpowiednie kwalifikacje.
- Dzieci od 8. roku życia i osoby o ograniczonych możliwościach fizycznych, sensorycznych lub intelektualnych oraz osoby niedysponujące stosowną wiedzą i doświadczeniem mogą użytkować to urządzenie jedynie pod nadzorem innej osoby bądź uzyskania od niej informacji dotyczących bezpiecznego użytkowania i wynikających z tego zagrożeń.
- Nie mogą one również czyścić i konserwować go bez nadzoru.
- To urządzenie nie może być używane przez osoby (w tym dzieci) o ograniczonych zdolnościach fizycznych, sensorycznych lub umysłowych, albo przez osoby bez doświadczenia i wiedzy w przypadku braku odpowiedniego nadzoru lub gdy osoba odpowiedzialna za bezpieczeństwo nie poinstruowała użytkowników w zakresie bezpiecznego korzystania z danego urządzenia.
- Należy dopilnować, aby dzieci nie bawiły się urządzeniem.
- Urządzenie należy stosować i przechowywać poza zasięgiem dzieci poniżej 8. roku życia.

- Aby zminimalizować zagrożenie pożarowe w kuchence mikrofalowej:
 - Podczas podgrzewania potraw w opakowaniach z tworzywa sztucznego lub papierowych należy sprawdzić kuchenkę mikrofalową pod kątem możliwego zapłonu.
 - Przed włożeniem przystosowanych do stosowania w kuchenkach mikrofalowych torebek papierowych lub plastikowych do kuchenki mikrofalowej należy usunąć z nich druty.
 - Gdy pojawi się dym, należy wyłączyć urządzenie i odłączyć je od sieci elektrycznej. Nie otwierać drzwiczek kuchenki, aby zdławić ewentualny ogień.
 - Nie używać wnętrza kuchenki do przechowywania innych rzeczy. Nie wkładać do nieużywanej kuchenki mikrofalowej produktów papierowych, przyborów kuchennych ani żywności.
- Naczynia muszą się nadawać do stosowania w kuchenkach mikrofalowych.
- Kuchenka mikrofalowa może być naprawiana wyłącznie przez wykwalifikowanych specjalistów. Nieodpowiednio wykształcone osoby nie mogą przeprowadzać czynności serwisowych lub naprawczych, które wiążą się ze zdejmowaniem osłon, ponieważ chronią one przed promieniowaniem energii mikrofalowej.



OSTROŻNIE!

- Nie wolno podgrzewać żadnych płynów i innej żywności w zamkniętych pojemnikach, gdyż mogą one wybuchnąć.
- Podgrzewane płyny mogą nagle wykipieć, dlatego należy ostrożnie obchodzić się z pojemnikami.
- Nie smażyć żywności w kuchence mikrofalowej. Gorący olej może powodować uszkodzenia elementów urządzenia i doprowadzić do poparzenia skóry.
- Nie podgrzewać w kuchence mikrofalowej jajek w skorupkach i jajek ugotowanych na twardo, ponieważ mogą one wybuchnąć.
- Zawartość butelek i słoiczków dla dzieci należy wymieszać lub wstrząsnąć i sprawdzić temperaturę przed podaniem ich dziecku, aby uniknąć poparzenia.
- Przybory kuchenne mogą się nagrzewać przez przenoszenie ciepła z podgrzanej żywności. Konieczne może być używanie rękawic kuchennych.

- Niebezpieczeństwo oparzenia! Podczas działania wszystkie powierzchnie, w tym drzwiczki urządzenia, mogą się nagrzewać. Urządzenie należy trzymać poza zasięgiem małych dzieci. Elementy grzewcze urządzenia mogą pozostać gorące po zakończeniu działania. Nie dotykać elementu grzewczego urządzenia.
- Nie używać kuchenki mikrofalowej z otwartymi drzwiczkami, gdyż może to skutkować szkodliwym działaniem mikrofal. Nie wolno obchodzić i usuwać urządzeń zabezpieczających.
- Nie umieszczać przedmiotów pomiędzy powierzchnią frontową kuchenki mikrofalowej a drzwiczkami.
- Należy usuwać pozostałości środków czyszczących, które mogą osadzać się na powierzchni uszczelki.
- Nie uruchamiać uszkodzonego urządzenia. Bardzo ważne jest prawidłowe zamykanie drzwiczek kuchenki mikrofalowej i brak uszkodzeń
 - drzwiczek (wygięte),
 - zawiasów i blokad (złamane lub poluzowane),
 - uszczelki drzwi i powierzchni uszczelniających.
- Nie korzystać z kuchenki mikrofalowej podczas jazdy.
- Nie korzystać z kuchenki mikrofalowej w charakterze dodatkowego miejsca przechowywania (np. ubrań).

**UWAGA!**

- Należy porównać dane dotyczące napięcia na tabliczce znamionowej z dostępnym źródłem zasilania.

3 Zakres dostawy

- Kuchenka mikrofalowa
- Instrukcja obsługi

4 Użytkowanie zgodne z przeznaczeniem

Kuchenka mikrofalowa jest przeznaczona do ustawiania w przyczepach kempingowych i pojazdach kempingowych (kamperach). Nadaje się ona wyłącznie do rozmrażania i podgrzewania żywności przez krótki czas, maksymalnie do 60 minut. Ta kuchenka mikrofalowa została specjalnie zaprojektowana dla celów podgrzewania lub gotowania. To urządzenie nie jest przeznaczone do zastosowań przemysłowych lub laboratoryjnych.

Dla kuchenki mikrofalowej przewidziano zasilanie poprzez sieć prądu zmiennego.

5 Opis techniczny

Kuchenka mikrofalowa obejmuje następujące komponenty i elementy obsługi:

Części składowe

Poz. na rys. 1 , strona 3	Objaśnienie
1	Panel sterowania
2	Przycisk otwierania drzwi
3	Płyta ceramiczna
4	Blokada drzwiczek
5	Okno kuchenki mikrofalowej

Elementy obsługi

Poz. na rys. 2 , strona 3	Objaśnienie
1	Wyświetlacz wskazujący czas podgrzewania, moc i aktualny czas
2	POWER (zasilanie) Wybieranie wymaganej mocy działania 100P, 80P, 60P, 40P, 20P
3	EXPRESS Wybieranie trybu pracy EXPRESS: 0:30, 1:00 lub 1:30
4	COOK Wybieranie trybu pracy COOK
5	DEFROST Wybieranie trybu pracy DEFROST w celu rozmrożenia zamrożonej żywności
6	CLOCK Ustawianie godziny
7	PRESET Ustawianie programatora czasowego
8	INSTANT/START Uruchamianie lub zatrzymywanie aktualnego programu podgrzewania lub rozmrażania

Poz. na rys. 2 , strona 3	Objaśnienie
9	PAUSE/ CANCEL Zatrzymanie podczas działania W trakcie działania: jednokrotne naciśnięcie: pauzowanie, dwukrotne naciśnięcie: zatrzymanie pracy urządzenia
10	– Ustawianie czasu podgrzewania W trakcie działania: Zmniejszanie czasu działania lub wagi w trakcie pracy
11	+ Ustawianie czasu podgrzewania W trakcie działania: Zwiększanie czasu podgrzewania lub wagi w trakcie pracy
12	Przycisk otwierania drzwi

6 Podłączanie i nastawa kuchenki mikrofalowej

6.1 Ustawienia kuchenki mikrofalowej

Podczas dokonywania ustawień należy stosować się do poniższych wskazówek:

- Upewnić się, czy z wewnętrznej części drzwiczek zostały usunięte wszystkie materiały opakowaniowe.
- Sprawdzić kuchenkę mikrofalową pod kątem uszkodzeń, takich jak nieprawidłowo ustawione lub wygięte drzwi, uszkodzone uszczelki drzwi i powierzchnie uszczelniające, złamane lub poluzowane zawiasy drzwi i blokady oraz wgłębienia w środku wnek lub na drzwiach. W razie stwierdzenia uszkodzenia nie uruchamiać kuchenki mikrofalowej i skontaktować się z personelem serwisowym.
- Kuchenka mikrofalowa musi zostać ustawiona na płaskiej i stabilnej powierzchni, która wytrzyma jej ciężar własny i umieszczoną w niej możliwie najcięższą żywność.
- Kuchenkę mikrofalową umieścić co najmniej 85 cm nad poziomem podłogi.
- Nie stawiać kuchenki mikrofalowej w pobliżu źródeł ciepła i wilgoci, w warunkach wysokiej wilgotności powietrza lub w pobliżu łatwopalnych materiałów.

- Do prawidłowej pracy kuchenka mikrofalowa potrzebuje wystarczającej ilości dopływu powietrza. Należy zachować wystarczającą odległość (ok. 5 cm) od ścian zewnętrznych w celu zapewnienia odpowiedniej wymiany ciepła. Nie zakrywać i nie blokować otworów w kuchenke mikrofalowej. Nie wolno usuwać nóżek.
- Upewnić się, że kabel przyłączeniowy nie został uszkodzony i że nie przebiega pod kuchenką mikrofalową, przez gorącą powierzchnię lub ostre krawędzie.
- Kuchenki mikrofalowej nie wolno używać na wolnym powietrzu.

6.2 Podłączanie kuchenki mikrofalowej do instalacji elektrycznej

- Wtyczkę należy podłączyć do sieci prądu zmiennego.
- ✓ Wyświetlacz zamiga trzy razy i pojawi się „-: -”.

6.3 Ustawianie zegara

- Nacisnąć przycisk **CLOCK**, aby ustawić czas.
- ✓ Wyświetlacz pokazuje 00:00.
- Nacisnąć przycisk **+** lub **-**, aby ustawić godzinę.
- Nacisnąć przycisk **CLOCK**.
- Nacisnąć przycisk **+** lub **-**, aby ustawić minutę.
- Aby zapisać podany czas, należy nacisnąć przycisk **CLOCK** lub odczekać 5 sekund.

7 Obsługa kuchenki mikrofalowej



WSKAZÓWKA

Nowa kuchenka mikrofalowa może wydzielać zapach pochodzący z osadów poprodukcyjnych. W początkowym okresie użytkowania kuchenki mikrofalowej należy wietrzyć pomieszczenie. W celu wyeliminowania nieprzyjemnego zapachu zaleca się kilkukrotne podgrzewanie szklanki wody na wysokiej mocy.

7.1 Informacje dotyczące podgrzewania produktów spożywczych

- Dokładnie rozłożyć żywność. Najgrubsze części umieścić na zewnątrz.
- Uwzględnić czas podgrzewania. Podgrzewać przez minimalny podany czas i ewentualnie przedłużyć czas podgrzewania, jeśli to konieczne. Nadmiernie podgrzana żywność może wydzielać dym lub zapalić się.
- Przykryć żywność podczas podgrzewania. Przykrywki zapobiegają rozpryskom i zapewniają równomierne podgrzewanie.
- Żywność typu kurczak lub hamburgery przewrócić jeden raz podczas podgrzewania. Duże kawałki żywności, jak pieczeń, należy podczas podgrzewania obrócić przynajmniej jeden raz.
- Żywność typu klopsiki mięsne w połowie czasu podgrzewania przełożyć z góry na dół i ze środka na zewnątrz.

7.2 Informacje dotyczące naczyń kuchennych

- Materiał idealnie nadający się do kuchenki mikrofalowej to materiał przepuszczający mikrofalę, co pozwala na przenikanie energii przez naczynie i podgrzewanie żywności.
- Mikrofałe nie mogą przenikać przez metal, dlatego nie należy stosować naczyń metalowych lub naczyń z metalowymi krawędziami.
- Do podgrzewania w kuchence mikrofalowej nie stosować produktów z papieru pochodzącego z recyklingu, ponieważ mogą one zawierać drobne metalowe fragmenty, które mogą wywołać iskry i/lub pożar.
- Okrągłe/owalne naczynia są lepsze niż kwadratowe/podłużne, ponieważ żywność znajdująca się w kątach naczynia może zostać podgrzana zbyt mocno.

Poniższa lista pełni rolę wytycznych dla odpowiednich naczyń:

Naczynia do gotowania	odpowiednie do kuchenek mikrofalowych
Szkló żaroodporne	Tak
szkló nieżaroodporne	Nie
Ceramika żaroodporna	Tak
Naczynie plastikowe odpowiednie do kuchenki mikrofalowej	Tak
Folia spożywcza	Tak (tylko przy niskiej mocy)
Miska metalowa	Nie
Podstawa metalowa	Nie
Folia aluminiowa i pojemniki z folii aluminiowej	Nie
Naczynia z bambusa	Nie
Naczynia z kartonu	Nie

7.3 Podgrzewanie



WSKAZÓWKA

- Można ustawić maksymalny czas podgrzewania 60 minut.
- Moc kuchenki mikrofalowej oraz czas podgrzewania można ustawiać w dowolnej kolejności (np. najpierw czas podgrzewania, a następnie moc kuchenki lub odwrotnie).
- Przy maksymalnym ustawieniu mocy urządzenie po pewnym czasie samoczynnie zmniejsza moc, co ma na celu przedłużenie okresu użytkowania kuchenki mikrofalowej.
- Żywność z grubą skórką, taka jak ziemniaki, dynie w całości, jabłka czy kasztany, należy nakłuć przed podgrzaniem.

- Włóż żywność do kuchenki mikrofalowej i zamknąć drzwiczki.
- W razie potrzeby wciskać przycisk **POWER** wielokrotnie, aby wybrać żądaną moc kuchenki mikrofalowej:

100P	100% mocy; szybkie podgrzewanie żywności
80P	80% mocy; podgrzewanie żywności
60P	60% mocy; gotowanie żywności na parze
40P	40% mocy; rozmrażanie żywności
20P	20% mocy; utrzymywanie żywności w stanie ciepłym

- Nacisnąć przycisk **+** lub **-**, aby ustawić czas podgrzewania.
- Nacisnąć przycisk **INSTANT/START**.
- ✓ Po upływie ustawionego czasu podgrzewania na wyświetlaczu pojawi się „End”. Trzykrotnie wyemitowany zostanie sygnał, jeśli wcześniej drzwiczki kuchenki mikrofalowej nie zostaną otwarte.

**OSTRZEŻENIE! Ryzyko poparzenia przez podgrzaną żywność!**

Stosować specjalne rękawice kuchenne przy wyjmowaniu podgrzanej żywności z kuchenki mikrofalowej.

- Otworzyć drzwiczki i wyjąć podgrzaną żywność.

**WSKAZÓWKA**

Sygnał będzie się powtarzał co trzy minuty tak długo, dopóki drzwiczki kuchenki mikrofalowej nie zostaną otwarte.

Otwieranie drzwiczek podczas podgrzewania

W przypadku otwarcia drzwiczek podczas podgrzewania proces podgrzewania zostanie przerwany. Wyświetlacz pokaże pozostały czas.

Proces podgrzewania można kontynuować w następujący sposób:

- Zamknąć drzwi.
- Nacisnąć przycisk **INSTANT/START**.

7.4 Podgrzewanie płynów (tryb pracy EXPRESS)

- ▶ Włożyć żywność do kuchenki mikrofalowej i zamknąć drzwiczki.
- ▶ W razie potrzeby wciskać przycisk **EXPRESS** wielokrotnie, aby wybrać żądany czas podgrzewania: 0:30, 1:00 lub 1:30.
- ▶ Nacisnąć przycisk **INSTANT/START**.
- ✓ Po upływie ustawionego czasu podgrzewania na wyświetlaczu pojawi się „End”. Trzykrotnie wyemitowany zostanie sygnał, jeśli wcześniej drzwiczki kuchenki mikrofalowej nie zostaną otwarte.



OSTRZEŻENIE! Ryzyko poparzenia przez podgrzaną żywność!

Stosować specjalne rękawice kuchenne przy wyjmowaniu podgrzanej żywności z kuchenki mikrofalowej.

- ▶ Otworzyć drzwiczki i wyjąć podgrzaną żywność.



WSKAZÓWKA

Sygnał będzie się powtarzał co trzy minuty tak długo, dopóki drzwiczki kuchenki mikrofalowej nie zostaną otwarte.

7.5 Rozmrażanie (tryb pracy DEFROST)

- ▶ Włożyć żywność do kuchenki mikrofalowej i zamknąć drzwiczki.
- ▶ Wcisnąć przycisk **DEFROST** i wprowadzić typ żywności zgodnie z poniższą tabelą:

d.1	Rozmrażanie mięsa (0,1 do 2,0 kg)
d.2	Rozmrażanie drobiu (0,2 do 3,0 kg)
d.3	Rozmrażanie ryb (0,1 do 0,9 kg)
- ▶ Nacisnąć przycisk **+** lub **-**, aby ustawić wagę.
- ▶ Nacisnąć przycisk **INSTANT/START** w celu aktywacji programu rozmrażania.
- ✓ Po zakończeniu programu rozmrażania wyświetlacz wyświetli komunikat „End”, a kuchenka wyemituje trzykrotnie sygnał dźwiękowy.



WSKAZÓWKA

Podane czasy rozmrażania są przybliżone. Faktyczny czas rozmrażania jest uzależniony od rodzaju żywności oraz zawartości wody (mięso, ryba, warzywa, owoce, chleb itp.). Im wyższa jest zawartość wody w żywności, tym dłuższy jest czas rozmrażania. W celu równomiernego rozkładu ciepła podczas rozmrażania należy odwracać, wzgl. obracać żywność.

7.6 Podgrzewanie określonych potraw (tryb pracy COOK)

- Włożyć żywność do kuchenki mikrofalowej i zamknąć drzwiczki.
- W razie potrzeby wciskać przycisk **COOK** wielokrotnie, aby wybrać określoną potrawę:

A.1	Popcorn 85 g	Typowa paczka z popcornem przeznaczona do kuchenki mikrofalowej o wadze 85 g. Nacisnąć przycisk PAUSE/CANCEL, kiedy w okresie 1–2 sekund pękają już tylko pojedyncze ziarna.
A.2	Popcorn 100 g	W przypadku paczek o wadze 100 g należy postępować tak jak opisano w punkcie A.1.
A.3	Pizza	Podgrzanie 1 sztuki pizzy mrożonej (0,15 kg).
A.4	Napoje 250 ml	Kubek zawierający 250 ml płynu o temperaturze ok. 5 do 10 °C. Użyć szerokiego kubka. Nie przykrywać kubka.
A.5	Napoje 500 ml	Tak jak w punkcie A.4, w odniesieniu do kubka z płynem o pojemności 500 ml.
A.6	Ziemniaki	Podgrzewanie kawałków ziemniaków (pociętych na kawałki o szerokości 5 mm). Dla masy 0,45 kg. Kawałki ziemniaków rozłożyć na dużym talerzu. Przykryć ziemniaki odpowiednią folią spożywczą, aby zapobiec ich wyschnięciu.
A.7	Ziemniaki	Tak jak w punkcie A.6, w odniesieniu do wagi 0,65 kg.
A.8	Ryby	Delikatne przyrządzanie ryb. Dla masy 0,45 kg. Przygotowaną rybę ponacinać. Umieścić rybę na dużym talerzu, przykryć i przykryć odpowiednią folią spożywczą, aby zapobiec jej wyschnięciu. Po wyciągnięciu z kuchenki mikrofalowej pozostawić ją na 2 minuty pod folią.

- Nacisnąć przycisk **INSTANT/START**.

- ✓ Po upływie ustawionego czasu podgrzewania na wyświetlaczu pojawi się „End”. Trzykrotnie wyemitowany zostanie sygnał, jeśli wcześniej drzwiczki kuchenki mikrofalowej nie zostaną otwarte.

**OSTRZEŻENIE! Ryzyko poparzenia przez podgrzaną żywność!**

Stosować specjalne rękawice kuchenne przy wyjmowaniu podgrzanej żywności z kuchenki mikrofalowej.

**WSKAZÓWKA**

Określone automatyczne programy gotowania opierają się szacunkowych założeniach. Rzeczywisty wymagany czas gotowania uzależniony jest od temperatury, typu i wagi żywności. W celu dopasowania do swoich potrzeb, istnieje możliwość etapowej regulacji mocy kuchenki i czasu podgrzewania (zob. rozdziałrozdz. „Ustawianie programu gotowania wieloetapowego” na stronie 207).

- Otworzyć drzwiczki i wyjąć podgrzaną żywność.

**WSKAZÓWKA**

Sygnał będzie się powtarzał co trzy minuty tak długo, dopóki drzwiczki kuchenki mikrofalowej nie zostaną otwarte.

7.7 Ustawianie programu gotowania wieloetapowego

W celu dopasowania do swoich potrzeb, istnieje możliwość regulacji mocy kuchenki i czasu podgrzewania z podziałem na max. 4 etapy.

Przykładowy 2-etapowy program gotowania: Podgrzewanie potrawy przy mocy 100P przez 3 minuty, a następnie przy mocy 20P przez 9 minut.

- Włożyć żywność do kuchenki mikrofalowej i zamknąć drzwiczki.
- W razie potrzeby wcisnąć przycisk **POWER**, wielokrotnie, aby wybrać wymaganą moc kuchenki mikrofalowej 100P.
- Nacisnąć przycisk **+** lub **-**, aby ustawić czas gotowania na 3:00.
- W razie potrzeby wcisnąć przycisk **POWER**, wielokrotnie, aby wybrać wymaganą moc kuchenki mikrofalowej 20P.
- Nacisnąć przycisk **+** lub **-**, aby ustawić czas gotowania na 9:00.
- Nacisnąć przycisk **INSTANT/START**.

7.8 Ustawianie programatora czasowego

Funkcja programatora czasowego pozwala na ustawienie żądanego czasu uruchomienia kuchenki mikrofalowej.

Przykładowe ustawianie funkcji programatora czasowego: Jest godzina 12:30. O godzinie 14:30 ma rozpocząć się podgrzewanie potrawy przy mocy 100P przez 3 minuty.

- ▶ Włożyć żywność do kuchenki mikrofalowej i zamknąć drzwiczki.
- ▶ Nacisnąć przycisk **CLOCK**, aby ustawić czas.
- ✓ Wyświetlacz pokazuje 00:00.
- ▶ Nacisnąć przycisk **+** lub **-**, aby ustawić godzinę na 12:00.
- ▶ Nacisnąć przycisk **CLOCK**.
- ▶ Nacisnąć przycisk **+** lub **-**, aby ustawić minuty na 12:30.
- ▶ Ponownie wcisnąć przycisk **CLOCK**.
- ▶ W razie potrzeby wcisnąć przycisk **POWER**, wielokrotnie, aby wybrać wymaganą moc kuchenki mikrofalowej 100P.
- ▶ Nacisnąć przycisk **+** lub **-**, aby ustawić czas gotowania na 3 minuty.
- ▶ Nacisnąć przycisk **PRESET**, aby ustawić programator czasowy.
- ▶ Nacisnąć przycisk **+** lub **-**, aby ustawić godzinę na 14:00.
- ▶ Nacisnąć przycisk **PRESET**.
- ▶ Nacisnąć przycisk **+** lub **-**, aby ustawić minuty na 2:30 pm.
- ▶ Ponownie nacisnąć przycisk **PRESET**, aby zapisać ustawienia programatora czasowego.
- ✓ Kuchenka mikrofalowa rozpocznie podgrzewanie i zadany czas.

Funkcję programatora czasowego można sprawdzić naciskając przycisk **PRESET**. Na wyświetlaczu pokaże się zadany czas rozpoczęcia.

7.9 Blokowanie przycisków

W ramach zabezpieczeń przed dziećmi można założyć blokadę przycisków.

- ▶ Aby aktywować blokadę przycisku, należy wcisnąć i przytrzymać przycisk **PAUSE/CANCEL** przez 3 sekundy.
- ▶ Aby zdjąć blokadę przycisku, należy wcisnąć i przytrzymać przycisk **PAUSE/CANCEL** przez 3 sekundy.

8 Czyszczenie i pielęgnacja

- Przed rozpoczęciem czyszczenia wyłączyć urządzenie i wyciągnąć wtyczkę z gniazdka.
- Do czyszczenia kuchenki nie stosować środków do szorowania.
- Wnętrze kuchenki utrzymywać w czystości. Rozprysnięte jedzenie lub rozlany na ściankach płyn należy wycierać wilgotną ścierką. W przypadku silnego zabrudzenia zastosować delikatny środek czyszczący. Unikać korzystania ze sprayów lub innych ostrych środków czyszczących, ponieważ mogą one spowodować powstanie plam, smug lub matowych powierzchni na drzwiczkach.
- Część zewnętrzną czyścić wilgotną szmatką. W celu uniknięcia uszkodzenia części eksploatacyjnych wewnątrz kuchenki mikrofalowej należy zapobiec dostaniu się wody bezpośrednio do otworów wentylacyjnych.
- Regularnie przecierać drzwiczki, uszczelnienia drzwiczek i sąsiadujące z nimi części wilgotną ścierką w celu usunięcia zabrudzeń i bryzg.
- Unikać zamoczenia panelu sterowania. Czyścić go miękką i wilgotną ścierką. Pozostawić otwarte drzwiczki, aby nie włączyć przypadkowo urządzenia.
- Gdy wewnątrz lub po stronie zewnętrznej drzwiczek zbiera się woda, wycierać ją miękką ścierką. Może się tak zdarzyć, gdy kuchenka mikrofalowa jest używana w warunkach o wysokiej wilgotności powietrza i wówczas jest to normalna reakcja.
- Zapachy w kuchence mikrofalowej można usunąć przez umieszczenie w niej kubka z wodą i sokiem z cytryny oraz skórką cytrynową. Kubek z wodą i cytryna wstawić do głębokiego naczynia nadającego się do użytku w kuchence mikrofalowej i włączyć kuchenkę na 5 minut. Dokładnie wytrzeć i osuszyć kuchenkę mikrofalową za pomocą miękkiej ściěrki.
- Wymianę uszkodzonej lampy kuchenki mikrofalowej zlecić wyspecjalizowanemu personelowi.

- Należy regularnie czyścić kuchenkę mikrofalową i usuwać z niej wszelkie resztki żywności. Jeśli kuchenka nie będzie utrzymywana w czystości, może to uszkodzić jej powierzchnię i skrócić żywotność urządzenia.

9 Usuwanie usterek

Usterka	Rozwiązanie
Kuchenka mikrofalowa nie działa.	<p>Upewnić się, czy kuchenka mikrofalowa jest podłączona prawidłowo. Jeśli kuchenka mikrofalowa nie została podłączona w poprawny sposób, wyciągnąć wtyczkę z gniazdka, odczekać 10 sekund, a następnie poprawnie podłączyć kuchenkę.</p> <hr/> <p>Sprawdzić, czy nie jest przepalony bezpiecznik lub czy nie zadziałał wyłącznik automatyczny. Jeśli działają one prawidłowo, sprawdzić gniazdko przy użyciu innego urządzenia.</p> <hr/> <p>Upewnić się, że kuchenka mikrofalowa oraz czas podgrzewania zostały ustawione poprawnie.</p> <hr/> <p>Sprawdzić, czy drzwiczki zostały zamknięte we właściwy sposób. W przeciwnym razie mikrofałe nie dochodzą do wnętrza kuchenki mikrofalowej.</p>

10 Gwarancja

Warunki gwarancji zostały opisane w Karcie Gwarancyjnej dołączonej do produktu.

W celu naprawy lub rozpatrzenia gwarancji konieczne jest przesłanie:

- kopii rachunku z datą zakupu,
- informacji o przyczynie reklamacji lub opisu wady.

11 Utylizacja

- Opakowanie należy wyrzucić do odpowiedniego pojemnika na śmieci do recyklingu.



Jeżeli produkt nie będzie dłużej eksploatowany, koniecznie dowiedz się w najbliższym zakładzie recyklingu lub w specjalistycznym sklepie, jakie są aktualnie obowiązujące przepisy dotyczące utylizacji.

12 Dane techniczne

	MWO 240
Nr produktu:	9600008377
Napięcie znamionowe:	230 V $\overline{=}$, 50 Hz
Moc kuchenki mikrofalowej:	700 W
Częstotliwość mikrofal:	2450 MHz
Wymiary zewnętrzne wys. x szer. x gł.:	283 x 451 x 353 mm
Wymiary wewnętrzne wys. x szer. x gł.:	181,5 x 303 x 321 mm
Pojemność:	17 litrów
Masa:	11,5 kg

Pred uvedením zariadenia do prevádzky si prosím pozorne prečítajte tento návod a odložte si ho. V prípade odovzdania výrobku ďalšiemu používateľovi mu odovzdajte aj tento návod.

Obsah

1	Vysvetlenie symbolov	212
2	Bezpečnostné pokyny	213
3	Rozsah dodávky	215
4	Používanie v súlade s určením	215
5	Technický opis	216
6	Prípojenie a inštalácia mikrovlnnej rúry	217
7	Ovládanie mikrovlnnej rúry	218
8	Čistenie a údržba	224
9	Odstraňovanie porúch	225
10	Záruka	226
11	Likvidácia	226
12	Technické údaje	226

1 Vysvetlenie symbolov



VÝSTRAHA!

Bezpečnostný pokyn: Nerešpektovanie môže viesť k smrti alebo k ťažkému zraneniu.



UPOZORNENIE!

Bezpečnostný pokyn: Nerešpektovanie môže viesť k zraneniam.



POZOR!

Nerešpektovanie môže viesť k materiálnym škodám a môže ovplyvniť funkciu zariadenia.

**POZNÁMKA**

Doplnujúce informácie k obsluhu výrobku.

2 Bezpečnostné pokyny

**VÝSTRAHA!**

- Tento spotrebič používajte len na určený účel, ako je uvedené v tomto návode.
- V tomto spotrebiči nepoužívajte žiadne korozívne materiály.
- Spotrebič nezapínajte, ak je prázdny.
- Spotrebič neuvádzajte do prevádzky,
 - ak sú poškodené káble alebo zástrčky
 - ak správne nefunguje
 - ak je poškodený alebo spadol.
- Ak je pripájací kábel tohto spotrebiča poškodený, musí ho vymeniť výrobca, alebo zákaznícky servis alebo iná kvalifikovaná osoba, aby sa predišlo ohrozeniu bezpečnosti.
- Tento prístroj môžu používať deti od 8 rokov a okrem toho aj osoby so zníženými psychickými, sensorickými alebo mentálnymi schopnosťami alebo nedostatkom skúseností a vedomostí, ak sú pod dozorom alebo boli poučené o bezpečnom používaní prístroja a o nebezpečenstvách z toho vyplývajúcich.
- Čistenie a bežnú údržbu nesmú vykonávať deti bez dozoru.
- Tento spotrebič nie je určený na použitie osobami (vrátane detí) s obmedzenými fyzickými, zmyslovými alebo duševnými schopnosťami alebo nedostatkom skúseností a znalostí, pokiaľ nie sú pod primeraným dohľadom alebo ich osoba, ktorá je zodpovedná za ich bezpečnosť, dôkladne nepoučí o používaní spotrebiča.
- Dohliadnite na to, aby sa deti nehrali so spotrebičom.
- Zariadenie odkladajte a používajte mimo dosahu detí mladších ako 8 rokov.

- Pre zníženie rizika požiaru vo vnútri mikrovlnnej rúry:
 - Pri zohrievaní jedál v plastových alebo papierových nádobách skontrolujte, či sa mikrovlnná rúra nevznietila.
 - Skôr ako do mikrovlnnej rúry vložíte papierové alebo plastové vrecká vhodné na mikrovlnné ohrievanie, odstráňte z nich drôty.
 - V prípade, že spotrebič začne dymiť, spotrebič vypnite alebo vytiahnite sieťovú zástrčku. Dvierka nechajte zatvorené, aby sa prípadné plamene udusili.
 - Vnútro mikrovlnnej rúry nepoužívajte na skladovanie. V mikrovlnnej rúre nenechávajúte papierové výrobky, kuchynský riad ani potraviny, pokiaľ ju nepoužívate.
- Skontrolujte, či je riad vhodný na použitie v mikrovlnnej rúre.
- Mikrovlnnú rúru smie opravovať výlučne kvalifikovaný odborný personál. Nezaškoleným osobám, ktoré vykonávajú servisné alebo opravárske práce zahŕňajúce demontáž krytov, hrozí nebezpečenstvo, pretože tieto predstavujú ochranu pred vystavením sa žiareniu mikrovlnnej energie.



UPOZORNENIE!

- Tekuté alebo iné potraviny sa nesmú zohrievať v uzavretých nádobách, pretože by mohli explodovať.
- Pri zohrievaní nápojov môže oneskorene dôjsť k náhlemu vystreknutiu, preto s nádobami manipulujte opatrne.
- V mikrovlnnej rúre nepečte žiadne potraviny. Horúci olej môže poškodiť časti mikrovlnnej rúry a kuchynský riad a dokonca spôsobiť popáleniny na pokožke.
- V mikrovlnnej rúre nezohrievajte vajcia so škrupinou a natvrdo uvarené vajcia, pretože po zohratí môžu explodovať.
- Obsah fľaš a pohárov pre kojencov premiešajte alebo potraсте a pred podávaním skontrolujte teplotu, aby ste predišli popáleninám.
- Pri prenose tepla z ohrievaných potravín sa kuchynský riad môže zohriať. Môže byť potrebné použiť chňapky.
- Nebezpečenstvo popálenia! Všetky povrchy, vrátane dvierok zariadenia, sa môžu počas prevádzky veľmi zohriať. Nedovoľte, aby sa malé deti dostali do blízkosti zariadenia. Vyhrievacie prvky v zariadení môžu po použití zostať horúce. Nedotýkajte sa vyhrievacích prvkov v zariadení.
- Nepoužívajte mikrovlnnú rúru s otvorenými dvierkami, pretože to môže viesť ku škodlivému pôsobeniu mikrovln. Ochranné zariadenia sa nesmú obchádzať ani pozmeňovať.

- Neumiestňujte predmety medzi čelný povrch mikrovlnnej rúry a dvierka.
- Odstráňte zvyšky čistiaceho prostriedku, ktoré sa mohli nahromadiť na povrchoch tesnenia.
- Spotrebič neuvádzajte do prevádzky, ak je poškodený. Je mimoriadne dôležité, aby sa dvierka mikrovlnnej rúry správne zatvárali, a aby neboli žiadne poškodenia na
 - dvierkach (ohnuté),
 - závesoch a západkách (zlomené alebo uvoľnené),
 - tesneniach dvierok a tesniacich plochách.
- Nepoužívajte mikrovlnnú rúru počas jazdy.
- Nepoužívajte mikrovlnnú rúru ako úložný priestor (napr. na oblečenie).

**POZOR!**

- Porovnajete údaje o napätí na typovom štítku s existujúcim zdrojom napätia.

3 Rozsah dodávky

- Mikrovlnná rúra
- Návod na obsluhu

4 Používanie v súlade s určením

Mikrovlnná rúra je určená na inštaláciu do karavanov a obytných vozidiel. Je vhodná výlučne na rozmrazovanie a ohrev potravín na krátke doby do 60 minút. Tento typ mikrovlnných rúr je špeciálne vyvinutý na ohrievanie alebo varenie. Nie je určený pre priemyselné alebo laboratórne použitie.

Mikrovlnná rúra je určená na prevádzku na striedavý prúd.

5 Technický opis

Mikrovlnná rúra disponuje nasledujúcimi súčastami a ovládacími prvkami:

Súčasti

Č. na obr. 1 , strane 3	Vysvetlenie
1	Ovládací panel
2	Otvárač dverí
3	Keramická platňa
4	Blokovanie dverí
5	Okno mikrovlnnej rúry

Ovládacie prvky

Č. na obr. 2 , strane 3	Vysvetlenie
1	Displej na zobrazenie času varenia, výkonu a aktuálneho času
2	POWER Vol'ba požadovaného mikrovlnného výkonu 100P, 80P, 60P, 40P, 20P
3	EXPRESS Vol'ba prevádzkového režimu EXPRESS: 0:30, 1:00 alebo 1:30
4	COOK Vol'ba prevádzkového režimu COOK
5	DEFROST Vol'ba prevádzkového režimu DEFROST na rozmrazovanie zmrazených potravín
6	CLOCK Nastavenie času
7	PRESET Nastavenie časovača
8	INSTANT/START Spustenie alebo zastavenie aktuálneho programu varenia alebo rozmrazovania
9	PAUSE/CANCEL Zrušenie počas nastavení Počas prevádzky: Jedno stlačenie: Prerušenie prevádzky, dve stlačenia: Zastavenie prevádzky

Č. na obr. 2 , strane 3		Vysvetlenie
10	–	Nastavenie času varenia Počas prevádzky: Skrátenie času varenia alebo zníženie hmotnosti počas prevádzky
11	+	Nastavenie času varenia Počas prevádzky: Predĺženie času varenia alebo zvýšenie hmotnosti počas prevádzky
12		Otvárač dverí

6 Pripojenie a inštalácia mikrovlnnej rúry

6.1 Inštalácia mikrovlnnej rúry

Pri inštalácii dodržujte nasledujúce pokyny:

- Ubezpečte sa, že z vnútornej strany dvierok sú odstránené všetky obalové materiály.
- Skontrolujte mikrovlnnú rúru na poškodenia, ako nesprávne vycentrované alebo prehnuté dvierka, poškodené tesnenia dvierok a tesniace plochy, zlomené alebo uvoľnené dverové závesy a západky a preliačiny vo vnútri mikrovlnnej rúry alebo na dvierkach. Ak objavíte poškodenie, mikrovlnnú rúru neuvádzajte do prevádzky a obráťte sa na kvalifikovaný servisný personál.
- Mikrovlnná rúra musí byť umiestnená na rovnom, stabilnom povrchu, ktorý dokáže uniesť jej vlastnú váhu a najťažšie potraviny.
- Mikrovlnnú rúru umiestnite aspoň 85 cm nad zem.
- Mikrovlnnú rúru neumiestňujte do blízkosti zdrojov tepla, vlhkosti, vyššej vlhkosti vzduchu alebo do blízkosti horľavých materiálov.
- Na správnu prevádzku potrebuje mikrovlnná rúra dostatočný prívod vzduchu. Udržujte dostatočnú vzdialenosť (cca 5 cm) k vonkajším stenám pre zabezpečenie výmeny tepla. Otvory na mikrovlnnej rúre nezakrývajte ani neblokujte. Nožičky sa nesmú demontovať.
- Ubezpečte sa, že pripájací kábel nie je poškodený a nie je položený pod mikrovlnnou rúrou alebo bez horúci či ostrý povrch.
- Mikrovlnnú rúru nepoužívajte v exteriéri.

6.2 Pripojenie mikrovlnnej rúry k zdroju napájania

- ▶ Pripojte elektrickú zástrčku k sieti so striedavým prúdom.
- ✓ Displej trikrát zabliká a zobrazí „-“.

6.3 Nastavenie hodín

- ▶ Stlačte tlačidlo **CLOCK** pre nastavenie hodín.
- ✓ Na displeji sa zobrazí 00:00.
- ▶ Stláčajte tlačidlo **+** alebo **-** pre nastavenie hodín.
- ▶ Stlačte tlačidlo **CLOCK**.
- ▶ Stláčajte tlačidlo **+** alebo **-** pre nastavenie minút.
- ▶ Stlačte tlačidlo **CLOCK** alebo počkajte 5 sekúnd pre uloženie času.

7 Ovládanie mikrovlnnej rúry



POZNÁMKA

Nová mikrovlnná rúra môže vytvárať zápach následkom zvyškov z výroby. Pri prvých použitíach mikrovlnnej rúry vyvetrajte obytný priestor. Na eliminovanie zápachu sa odporúča niekoľkokrát zohriať šálku vody na vysokom výkone.

7.1 Informácie k vareniu potravín

- Potraviny dôkladne umiestnite. Najhrubšie časti umiestnite smerom von.
- Dodržte čas varenia. Varte po najkratší zadany čas a zvýšte ho, ak je to potrebné. Pridlho varené potraviny môžu vytvárať dym alebo začať horieť.
- Potraviny pri varení zakryte. Kryty zabraňujú rozstrekovaniu a zabezpečujú rovnomerné varenie.
- Potraviny ako kura alebo hamburger počas procesu varenia obráťte. Veľké potraviny ako pečené mäso sa musia minimálne jedenkrát obrátiť.
- Potraviny ako mäsové guľky usporiadajte po polovici času zhora nadol a zo stredu na okraj.

7.2 Informácie k riadu na varenie

- Ideálny materiál pre mikrovlnnú rúru prepúšťa mikrovlny, takže energia prenikne cez nádobu a zohreje potraviny.
- Mikrovlny nepreniknú cez kov, takže kovový riad ani riad s kovovým okrajom sa nemajú používať.
- Na varenie v mikrovlnnej rúre nepoužívajte žiadne produkty z recyklovaného papiera, pretože môže obsahovať drobné kovové častice, ktoré môžu spôsobiť iskry a/alebo požiar.
- Okrúhly/oválny riad je vhodnejší ako štvorcový/pondĺžny riad, pretože potraviny sa v rohoch riadu môžu prehrievať.

Nasledujúci zoznam slúži ako návod na použitie vhodného riadu:

Kuchynský riad	Vhodný do mikrovlnnej rúry
Sklo odolné proti teplu	Áno
Sklo neodolné proti teplu	Nie
Keramika odolná proti keramike	Áno
Plastový riad vhodný do mikrovlnnej rúry	Áno
Plastová fólia	Áno (len na nízkom výkone)
Kovové misky	Nie
Kovové stojany	Nie
Hliníkové fólie a nádoby z hliníkovej fólie	Nie
Bambusové riady	Nie
Kartónové riady	Nie

7.3 Varenie



POZNÁMKA

- Môžete nastaviť maximálny čas varenia 60 minút.
- Mikrovlnný výkon a čas varenia môžete nastaviť v ľubovoľnom poradí (napríklad, najprv čas varenia a potom mikrovlnný výkon alebo opačne).
- Na maximálnom mikrovlnnom výkone spotrebič po určitej dobe zníži výkon, aby sa predĺžila životnosť mikrovlnnej rúry.
- Potraviny s tvrdou škrupinou ako zemiaky, celé dyne, jablká a gaštany pre zohrievaním prepichnete.

- Potraviny vložte do mikrovlnnej rúry a zatvorte dverka.
- Ak je to potrebné, opakovane stláčajte tlačidlo **POWER** pre nastavenie požadovaného mikrovlnného výkonu:

100P	100 % mikrovlnný výkon; rýchle zohriatie potravín
80P	80 % mikrovlnný výkon; zohrievanie potravín
60P	60 % mikrovlnný výkon; parenie potravín
40P	40 % mikrovlnný výkon; rozmrazovanie potravín
20P	20 % mikrovlnný výkon; udržiavanie potravín v teplom stave

- Stláčajte tlačidlo **+** alebo **-** pre nastavenie času varenia
- Stlačte tlačidlo **INSTANT/START**.
- ✓ Po uplynutí nastaveného času varenia sa na displeji zobrazí „End“. Trikrát po sebe zaznie signálny tón, pokiaľ ste ešte neotvorili dverka mikrovlnnej rúry.



VÝSTRAHA! Nebezpečenstvo popálenia zohriatymi potravinami!

Na vybratie zohriatych potravín z mikrovlnnej rúry použite vhodné chňapky.

- Otvorte dverka a vyberte zohriate potraviny.



POZNÁMKA

Signálny tón sa bude opakovať každé 3 minúty dovtedy, kým neotvoríte dverka.

Otvorenie dvierok počas varenia

Pri otvorení dvierok sa proces varenia preruší. Na displeji sa zobrazí zostávajúci čas.

V procese varenia pokračujte nasledovne:

- Opäť zatvorte kryt.
- Stlačte tlačidlo **INSTANT/START**.

7.4 Zohrievanie tekutín (prevádzkový režim EXPRESS)

- Potraviny vložte do mikrovlnnej rúry a zatvorte dverka.
- Ak je to potrebné, opakovane stláčajte tlačidlo **EXPRESS** pre voľbu požadovaného času varenia 0:30, 1:00 alebo 1:30.
- Stlačte tlačidlo **INSTANT/START**.
- ✓ Po uplynutí nastaveného času varenia sa na displeji zobrazí „End“. Trikrát po sebe zaznie signálny tón, pokiaľ ste ešte neotvorili dverka mikrovlnnej rúry.



VÝSTRAHA! Nebezpečenstvo popálenia zohriatymi potravinami!

Na vybratie zohriatych potravín z mikrovlnnej rúry použite vhodné chňapky.

- Otvorte dverka a vyberte zohriate potraviny.



POZNÁMKA

Signálny tón sa bude opakovať každé 3 minúty dovtedy, kým neotvoríte dverka.

7.5 Rozmrazovanie (prevádzkový režim DEFROST)

- Potraviny vložte do mikrovlnnej rúry a zatvorte dverka.
- Stlačte tlačidlo **DEFROST** a zadajte typ potraviny podľa nasledujúcej tabuľky:

d.1	Rozmrazovanie mäsa (0,1 až 2 kg)
d.2	Rozmrazovanie hydiny (0,2 až 3 kg)
d.3	Rozmrazovanie rýb (0,1 až 0,9 kg)

- Stláčajte tlačidlo **+** alebo **-** pre nastavenie hmotnosti.
- Stlačte tlačidlo **INSTANT/START** pre spustenie programu rozmrazovania.
- ✓ Po dokončení programu rozmrazovania sa na displeji zobrazí „End“ a trikrát po sebe zaznie signálny tón.



POZNÁMKA

Uvedené časy rozmrazovania slúžia ako orientačná pomôcka. Skutočne potrebný čas rozmrazovania závisí od druhu potraviny, ako aj obsahu vody v potravine (mäso, ryby, zelenina, ovocie, chlieb atď.). Čím vyšší obsah vody má potravina, tým viac času je treba na jej rozmrazenie. Pre rovnomernú distribúciu tepla potravinu počas rozmrazovania obracajte príp. ju otočte.

7.6 Ohrievanie špecifických jedál (prevádzkový režim COOK)

- Potraviny vložte do mikrovlnnej rúry a zatvorte dvierka.
- Ak je to potrebné, opakovane stlačajte tlačidlo **POWER** pre výber požadovaného jedla:

A.1	Popcorn 85 g	Pre typické balenie popcornu do mikrovlnnej rúry s hmotnosťou balenia 85 g. Stlačte tlačidlo PAUSE/CANCEL, keď pukne len 1 popcorn každú 1 až 2 sekundy.
A.2	Popcorn 100 g	Ako pri A.1, pre hmotnosť balenia 100 g.
A.3	Pizza	Zohriatie 1 kusu mrazenej pizze (0,15 kg).
A.4	Nápoje 250 ml	Pre šálku s objemom 250 ml tekutiny pri teplote 5 až 10 °C. Použite širokú šálku. Šálku nezakrývajte.
A.5	Nápoje 500 ml	Ako pri A.4, pre šálku s 500 ml tekutiny.
A.6	Zemiaky	Varenie zemiakových hranoliek (narezané na kúsky so šírkou 5 mm). Pre hmotnosť 0,45 kg. Hranolky rozsypete na veľký tanier. Zemiaky zakryte vhodnou plastovou fóliou, aby sa zabránilo ich vyschnutiu.
A.7	Zemiaky	Ako pri A.6, pre hmotnosť 0,65 kg.
A.8	Ryby	Pre jemné varenie rýb. Pre hmotnosť 0,45 kg. Do pripravenej ryby narežte prúžky. Položte rybu na veľký tanier, ochuťte ju a zakryte ju vhodnou plastovou fóliou, aby ste zabránili jej vyschnutiu. Po varení nechajte rybu 2 minúty odpočívať.

- Stlačte tlačidlo **INSTANT/START**.
- ✓ Po uplynutí nastaveného času varenia sa na displeji zobrazí „End“. Trikrát po sebe zaznie signálny tón, pokiaľ ste ešte neotvorili dvierka mikrovlnnej rúry.



VÝSTRAHA! Nebezpečenstvo popálenia zohriatymi potravinami!

Na vybratie zohriatych potravín z mikrovlnnej rúry použite vhodné chňapky.



POZNÁMKA

Špecifické programy automatického varenia sú založené na usmereniach. Skutočne potrebný čas varenia závisí od teploty, typu a hmotnosti potraviny. Mikrovlnný výkon a čas varenia môžete vo viacerých stupňoch prispôbiť svojim potrebám (pozri kap. „Nastavenie viacstupňového programu varenia“ na strane 223).

- ▶ Otvorte dvierka a vyberte zohriate potraviny.



POZNÁMKA

Signálny tón sa bude opakovať každé 3 minúty dovtedy, kým neotvoríte dvierka.

7.7 Nastavenie viacstupňového programu varenia

Mikrovlnný výkon a čas varenia môžete nastaviť v až 4 stupňoch, aby boli splnené vaše potreby.

Príklad 2-stupňového programu varenia: Chcete uvariť jedlo pri výkone 100P na dobu 3 minúty, potom pri výkone 20P na dobu 9 minút.

- ▶ Potraviny vložte do mikrovlnnej rúry a zatvorte dvierka.
- ▶ Ak je to potrebné, opakovane stláčajte tlačidlo **POWER**, kým nebude zvolený požadovaný mikrovlnný výkon 100P:
- ▶ Stláčajte tlačidlo **+** alebo **-** pre nastavenie času varenia na 3:00.
- ▶ Ak je to potrebné, opakovane stláčajte tlačidlo **POWER**, kým nebude zvolený požadovaný mikrovlnný výkon 20P:
- ▶ Stláčajte tlačidlo **+** alebo **-** pre nastavenie času varenia na 9:00.
- ▶ Stlačte tlačidlo **INSTANT/START**.

7.8 Programovanie časovača

Funkcia časovača umožňuje nastaviť preferovaný čas na spustenie prevádzky mikrovlnnej rúry.

Príklad nastavenia funkcie časovača: Je 12:30 hod. O 14:30 si chcete uvariť jedlo pri výkone 100 P na dobu 3 minúty.

- Potraviny vložte do mikrovlnnej rúry a zatvorte dvierka.
- Stlačte tlačidlo **CLOCK** pre nastavenie hodín.
- ✓ Na displeji sa zobrazí 00:00.
- Stláčajte tlačidlo **+** alebo **-** pre nastavenie hodín na 12:00 hod.
- Stlačte tlačidlo **CLOCK**.
- Stláčajte tlačidlo **+** alebo **-** pre nastavenie minút na 12:30 hod.
- Znova stlačte tlačidlo **CLOCK**.
- Ak je to potrebné, opakovane stláčajte tlačidlo **POWER**, kým nebude zvolený požadovaný mikrovlnný výkon 100P:
- Stláčajte tlačidlo **+** alebo **-** pre nastavenie času varenia na 3:00 minúty.
- Stlačte tlačidlo **CLOCK** pre nastavenie časovača.
- Stláčajte tlačidlo **+** alebo **-** pre nastavenie hodín na 14:00 hod.
- Stlačte tlačidlo **PRESET**.
- Stláčajte tlačidlo **+** alebo **-** pre nastavenie minút na 14:30 hod.
- Znova stlačte tlačidlo **PRESET** pre uloženie nastavení časovača.
- ✓ Mikrovlnná rúra sa spustí v prednastavenom čase.

Funkciu časovača môžete skontrolovať stlačením tlačidla **PRESET**. Na displeji sa zobrazí prednastavený čas spustenia.

7.9 Zablokovanie tlačidiel

Ako funkciu detskej poistky môžete nastaviť zámok tlačidiel.

- Pre aktiváciu zámku tlačidiel podržte na 3 sekundy tlačidlo **PAUSE/CANCEL**.
- Pre deaktiváciu zámku tlačidiel podržte na 3 sekundy tlačidlo **PAUSE/CANCEL**.

8 Čistenie a údržba

- Pred čistením vypnite spotrebič a vytiahnite sieťovú zástrčku.
- Na čistenie spotrebiča nepoužívajte abrazívne prípravky.

- Vnútro mikrovlnnej rúry udržiajte v čistote. Rozprsknuté jedlo alebo rozliate tekutiny prilnuté k stenám mikrovlnnej rúry utrite dočista vlhkou utierkou. Na veľmi znečistenú mikrovlnnú rúru použite jemný čistiaci prostriedok. Vyhnite sa používaniu sprejov a iných abrazívnych čistiacich prostriedkov, pretože môžu spôsobiť škvrny, šmuhy alebo matné plochy na dverkách.
- Vonkajšie plochy čistite vlhkou utierkou. Voda sa nikdy nesmie dostať priamo do vetracích otvorov, aby sa zabránilo poškodeniu prevádzkových dielov vo vnútri mikrovlnnej rúry.
- Dvere, tesnenia dverí a susediace časti pravidelne utierajte vlhkou utierkou, aby ste odstránili nečistoty alebo striekance.
- Nikdy nenechajte navlhnúť ovládací panel. Vyčistíte ho mäkkou, navlhčenou utierkou. Dvierka nechajte otvorené, aby sa mikrovlnná rúra omylom nezapla.
- Ak sa vo vnútri alebo okolo vonkajšej strany dvierok nahromadí vlhkosť, utrite ju dosucha mäkkou utierkou. K tomu môže dôjsť, keď sa mikrovlnná rúra používa v podmienkach s vysokou vlhkosťou a je to normálne.
- Zápachy v mikrovlnnej rúre môžete odstrániť pomocou šálky vody a citrónovej šťavy a kôry. Toto nalejte do hlbkej nádoby vhodnej do mikrovlnnej rúry a zapnite rúru na 5 minút. Utrite to dôkladne a dosucha mäkkou utierkou.
- Chybnú žiarovku mikrovlnnej rúry nechajte vymeniť špecializovaným predajcom.
- Mikrovlnnú rúru pravidelne čistite a odstraňte všetky zvyšky potravín. Ak spotrebič nebudete udržiavať v čistom stave, môže to mať negatívny vplyv na povrch a skrátiť životnosť spotrebiča.

9 Odstraňovanie porúch

Porucha	Riešenie
Mikrovlnná rúra nefunguje.	Uistite sa, že mikrovlnná rúra je správne pripojená. Ak nie je správne pripojená, vytiahnite zástrčku, počkajte 10 sekúnd a mikrovlnnú rúru správne pripojte.
	Skontrolujte, či nie je prepálená poistka alebo nezareagoval istič. Ak tieto správne fungujú, vyskúšajte zásuvku s iným spotrebičom.
	Ubezpečte sa, že mikrovlnná rúra a čas varenia sú správne nastavené.
	Skontrolujte, či sú dvere správne zatvorené. V opačnom prípade sa mikrovlny nedostanú do vnútra mikrovlnnej rúry.

10 Záruka

Platí zákonom stanovená záručná lehota. Ak by bol výrobok chybný, obráťte sa na pobočku vo vašej krajine (adresy pozri na zadnej strane návodu) alebo na vášho špecializovaného predajcu.

Ak žiadate o vybavenie opravy alebo nárokov vyplývajúcich zo záruky, musíte priložiť nasledovné podklady:

- kópiu faktúry s dátumom kúpy,
- dôvod reklamácie alebo opis chyby.

11 Likvidácia

- Obalový materiál podľa možnosti odovzdajte do príslušného odpadu na recykláciu.



Keď výrobok definitívne vyradíte z prevádzky, informujte sa v najbližšom recyklačnom stredisku alebo u vášho špecializovaného predajcu o príslušných predpisoch týkajúcich sa likvidácie.

12 Technické údaje

	MWO 240
Č. výrobku:	9600008377
Menovité napätie:	230 V $\overline{=}$, 50 Hz
Mikrovlnný výkon:	700 W
Frekvencia mikrovln:	2450 MHz
Vonkajšie rozmery V x Š x H:	283 x 451 x 353 mm
Rozmery vnútorného priestoru V x Š x H:	181,5 x 303 x 321 mm
Obsah:	17 litrov
Hmotnosť:	11,5 kg

Před uvedením do provozu si pečlivě přečtěte tento návod k obsluze a uschovejte jej. V případě dalšího prodeje výrobku předejte návod novému uživateli.

Obsah

1	Vysvětlení symbolů	227
2	Bezpečnostní pokyny	228
3	Obsah dodávky	230
4	Použití v souladu s účelem	230
5	Technický popis	231
6	Připojení a nastavení mikrovlnné trouby	232
7	Obsluha mikrovlnné trouby	233
8	Čištění a péče	240
9	Odstraňování poruch a závad	241
10	Odpovědnost za vady	241
11	Likvidace	242
12	Technické údaje	242

1 Vysvětlení symbolů



VÝSTRAHA!

Bezpečnostní pokyny: Následkem nedodržení pokynů mohou být smrtelná nebo vážná zranění.



UPOZORNĚNÍ!

Bezpečnostní pokyny: Následkem nedodržení mohou být úrazy.



POZOR!

Nedodržení pokynů může mít za následek hmotné škody a narušení funkce výrobku.

**POZNÁMKA**

Doplňující informace týkající se obsluhy výrobku.

2 Bezpečnostní pokyny

**VÝSTRAHA!**

- Použijte tento přístroj pouze k určeným účelům tak, jak je popsáno v tomto návodu.
- Nepoužívejte v tomto výrobku žíravé chemikálie.
- Nezapínejte prázdný přístroj.
- Tento přístroj neuvádějte do provozu:
 - jsou-li poškozeny kabely nebo zástrčky
 - pokud nefunguje správně,
 - pokud byl poškozen nebo upuštěn.
- V případě poškození přívodního kabelu musí být kabel vyměněn výrobcem nebo zákaznickou službou nebo podobně kvalifikovanou osobou tak, aby nedošlo k ohrožení.
- Tento přístroj mohou používat děti od 8 let a osoby se sníženými fyzickými, sensorickými nebo mentálními schopnostmi, nebo osoby s nedostatkem zkušeností a znalostí, pokud budou pod dozorem, nebo pokud byly poučeny o bezpečném použití přístroje a rozumějí nebezpečím, které z použití výrobku vyplývají.
- Čištění a běžnou údržbu nesmějí provádět děti bez dozoru.
- Tento přístroj není určen k používání osobami (včetně dětí) s omezenými fyzickými, sensorickými nebo duševními schopnostmi, nebo osobami s nedostatkem zkušeností a vědomostí, pokud není zajištěn přiměřený dozor nebo podrobný návod k použití přístroje osobou, která je odpovědná za bezpečnost těchto osob.
- Děti musejí být pod dohledem tak, aby si s přístrojem nehrály.
- Přístroj používejte a skladujte mimo dosah dětí mladších 8 let.

- Snížení rizika požáru uvnitř mikrovlnné trouby:
 - Při ohřívání potravin v plastových nebo papírových obalech kontrolujte mikrovlnnou troubu, aby nedošlo ke vznícení.
 - Z papírových a plastových obalů vhodných do mikrovlnné trouby odstraňte kovové svorky, ještě než vložíte obal do mikrovlnné trouby.
 - Pokud vidíte kouř, vypněte přístroj a odpojte přírodní zástrčku. Dvířka nechejte zavřená tak, aby došlo k udušení případného plamene.
 - Vnitřek trouby nepoužívejte ke skladování předmětů. Nenechávejte v nepoužívané mikrovlnné troubě papírové obaly, nádobí ani potraviny.
- Nádobí musí být vhodné k použití v mikrovlnné troubě.
- Mikrovlnnou troubu smí opravovat výhradně kvalifikovaný odborný personál. Osoby bez příslušné kvalifikace mohou být ohroženy, pokud se pokusí provést opravy a servis zařízení, které zahrnuje odstranění krytů, protože kryty slouží jako ochrana před mikrovlnným zářením.



UPOZORNĚNÍ!

- Kapalně a ostatní potraviny nesmíte ohřívát v uzavřených nádobách, může dojít k jejich explozi.
- Zahřívání nápojů může mít za následek náhlé vystříknutí, z tohoto důvodu manipulujte s nádobami velmi opatrně.
- V mikrovlnné troubě nesmíte potraviny opékat a smažit. Horký olej může poškodit součásti trouby a její vybavení a způsobit popálení.
- V mikrovlnné troubě neohřívajte vejce ve skořápce a vejce uvařená natvrdo, protože může dojít k jejich explozi i po dokončení ohřívání.
- Obsah kojeneckých láhví a dětských skleniček musíte promíchat nebo protřepat a před podáváním musíte zkontrolovat teplotu obsahu tak, aby nedošlo k opaření.
- Nádobí může být horké, protože teplo se přenáší ze zahříváných potravin. Používejte chňapky na nádobí.
- Nebezpečí popálení! Všechny plochy, včetně dvířek přístroje, se během provozu mohou zahřívát. Uchovávejte malé děti mimo dosah přístroje. Topná tělesa v přístroji mohou po provozu zůstat horká. Nedotýkejte se topných těles v přístroji.
- Nepoužívejte mikrovlnnou troubu s otevřenými dvířky, protože může dojít ke škodlivému působení mikrovln. Bezpečnostní zařízení neobcházejte ani nepřemostujte, nemanipulujte jimi.

- Neumisťujte předmět mezi přední povrch mikrovlnné trouby a dvířka.
- Odstraňte zbytky po čištění, které by se mohly nahromadit na těsnících plochách.
- Nepoužívejte poškozený přístroj. Je mimořádně důležité, aby byla dvířka mikrovlnné trouby správně zavřena a aby nebyla
 - poškozená (deformovaná),
 - závěsy a zámky nesmějí být poškozené (nebo uvolněné),
 - nesmí být poškozené těsnění dvířek a těsnící plochy.
- Mikrovlnnou troubu nepoužívejte za jízdy.
- Mikrovlnnou troubu nepoužívejte jako další odkládací prostor (např. na oděv).

**POZOR!**

- Porovnejte údaj o napětí na typovém štítku s dostupným zdrojem napájení.

3 Obsah dodávky

- Mikrovlnná trouba
- Návod k obsluze

4 Použití v souladu s účelem

Mikrovlnná trouba je určena k instalaci do karavanů a obytných vozů. Je vhodná k rozmrazování a ohřevu potravin na krátkou dobu až 60 minut. Tento typ mikrovlnné trouby je speciálně navržen k ohřívání a vaření. Výrobek není určen k průmyslovému použití nebo k použití v laboratořích.

Mikrovlnná trouba je určena k provozu v síti střídavého proudu.

5 Technický popis

Mikrovlnná trouba má následující součásti a ovládací prvky:

Součásti

Položka na obr. 1, strana 3	Vysvětlení
1	Ovládací panel
2	Otevírání dvířek
3	Keramická deska
4	Zámek dvířek
5	Skleněná výplň dvířek

Ovládací prvky

Položka na obr. 2, strana 3	Vysvětlení
1	Displej k zobrazení doby ohřevu, výkonu a aktuálního času
2	POWER (NAPÁJENÍ) Vyberte požadovaný výkon mikrovlnné trouby 100P, 80P, 60P, 40P, 20P
3	EXPRESS (EXPRES) Zvolte provozní režim EXPRES: 0:30, 1:00 nebo 1:30
4	COOK (VAŘENÍ) Vyberte provozní režim VAŘENÍ
5	DEFROST (ROZMRAZOVÁNÍ) Zvolte provozní režim ROZMRAZOVÁNÍ, chcete-li rozmrazit zmrazené potraviny
6	CLOCK (HODINY) Nastavení času
7	PRESET (PŘEDNASTAVENÍ) Nastavení časovače

Položka na obr. 2, strana 3		Vysvětlení
8	INSTANT/ START (OKA- MŽITĚ/STA RT)	Spuštění nebo zastavení aktuálního programu ohřevu nebo rozmrazování
9	PAUSE/ CANCEL (POZASTA- VENÍ/STO RNO)	Zrušení během nastavení Během provozu: Jedno stisknutí: Pozastavení provozu, stisknutí dvakrát: Zastavení provozu
10	-	Nastavení doby ohřevu Během provozu: Snížení doby ohřevu nebo hmotnosti během provozu
11	+	Nastavení doby ohřevu Během provozu: Prodloužení doby ohřevu nebo hmotnosti během provozu
12		Otevírání dvířek

6 Připojení a nastavení mikrovlnné trouby

6.1 Nastavení mikrovln

Při nastavení dodržujte následující pokyny:

- Zkontrolujte, zda jste odstranili všechny obalový materiál zevnitř a z dvířek.
- Zkontrolujte, zda není mikrovlnná trouba poškozena, například zda nejsou dvířka pokřivená nebo nesprávně nasazená, zda nedošlo k poškození těsnění dvířek a těsnicích ploch, zda nejsou poškozené závěsy dvířek a zámky uvnitř trouby. Pokud zjistíte poškození, nesmíte mikrovlnnou troubu zapnout a musíte kontaktovat kvalifikovaný servisní personál.
- Mikrovlnnou troubu musíte umístit na rovnou a stabilní plochu, která unese samotnou mikrovlnnou troubu včetně ohřívaných potravin.
- Mikrovlnnou troubu umístěte alespoň 85 cm od země.
- Neumísťujte mikrovlnnou troubu v blízkosti zdrojů tepla, vlhkosti, vysoké vzdušné vlhkosti nebo hořlavých materiálů.

- K řádnému provozu potřebuje mikrovlnná trouba dostatečný přísuv vzduchu. Udržujte dostatečnou vzdálenost (cca 5 cm) od vnějších stěn, aby byla zaručena výměna tepla. Otvory mikrovlnné trouby nezakrývejte ani je neblokuje. Nohy přístroje nesmíte odstranit.
- Zkontrolujte, zda není přírodní kabel poškozený a zda nevede pod mikrovlnnou troubou nebo přes horké nebo ostré povrchy.
- Nikdy nepoužívejte mikrovlnnou troubu venku.

6.2 Připojení mikrovlnné trouby ke zdroji elektrické energie

- Připojte napájecí zástrčku k síti na střídavý proud.
- ✓ Displej třikrát zabliká a zobrazí se „-: -“.

6.3 Nastavení času

- Stiskněte krátce tlačítko **CLOCK** k nastavení času.
- ✓ Na displeji se zobrazí 00:00.
- Stisknutím tlačítka **+** nebo **-** nastavte hodiny.
- Stiskněte tlačítko **CLOCK**.
- Stisknutím tlačítka **+** nebo **-** nastavte minuty.
- Stiskněte tlačítko **CLOCK** nebo počkejte 5 sekund k uložení času.

7 Obsluha mikrovlnné trouby



POZNÁMKA

Z nové mikrovlnné trouby se může uvolňovat zápach způsobený zbytky z výroby. Při prvním použití mikrovlnné trouby několik minut odvětrávejte obývací prostor. K odstranění zápachu se doporučuje několikrát ohřát šálek vody při vysokém výkonu.

7.1 Informace k ohřevu potravin

- Potraviny pečlivě připravte k ohřevu. Umístěte nejsilnější části směrem ven.

- Dodržujte dobu ohřevu. Ohřívejte potraviny po co nejkratší uvedené době. Déle je ohřívejte, pouze pokud je to nutné. Nadměrně ohřáté potraviny mohou způsobit kouř nebo se vznítit.
- Při ohřevu potraviny zakryjte. Zakrytím zabráníte postříkání trouby a zajistíte rovnoměrný ohřev.
- Potraviny jako jsou kuřata nebo hamburgery musíte jednou během ohřevu otočit. Větší potraviny, jako jsou pečeně, musíte otočit minimálně jednou.
- Potraviny jako jsou masové kuličky musíte po uplynutí poloviny doby ohřevu přeskupit shora dolů a ze středu směrem ven.

7.2 Informace o vhodném nádobí

- Ideálním materiálem do mikrovlnné trouby je takový materiál, který propouští mikrovlny, takže energie může pronikat nádobou a ohřívat přímo pokrm.
- Mikrovlny neprostupují kovem, takže kovové nádoby nebo nádoby s kovovými okraji nesmíte používat.
- Nepoužívejte k ohřevu v mikrovlnné troubě výrobky z recyklovaného papíru, protože mohou obsahovat kovové fragmenty, které mohou začít jiskřit nebo způsobit požár.
- Kulaté/oválné nádoby je vhodnější než hranaté a podélné nádoby, protože potraviny v rozích nádobí se mohou přehřívat.

Následující seznam je orientační informace pro vhodné nádoby:

Nádoby	Vhodné do mikrovlnné trouby
Varné sklo	Ano
Běžné sklo	Ne
Varná keramika	Ano
Plastové nádoby vhodné do mikrovlnné trouby	Ano
Plastový obal	Ano (pouze při nízkém výkonu)
Kovové misky	Ne
Kovové materiály	Ne
Hliníková fólie a hliníkové nádoby	Ne
Bambusové nádoby	Ne
Lepenkové nádoby	Ne

7.3 Ohřev



POZNÁMKA

- Je možné nastavit maximální dobu ohřevu 60 minut.
- Výkon mikrovlnné trouby a dobu ohřevu lze nastavovat v libovolném pořadí (např. nejprve dobu ohřevu a poté výkon mikrovlnné trouby nebo obráceně).
- Při maximálním výkonu mikrovln zařízení po určité době snižuje výkon, aby se prodloužila provozní životnost mikrovlnné trouby.
- Před ohříváním propíchněte tvrdou slupku takových potravin, jako jsou brambory, dýně, jablka a kaštiny.

- Vložte potraviny do mikrovlnné trouby a zavřete dvířka.
- Případně stiskněte opakovaně tlačítko **POWER**, abyste vybrali požadovaný výkon mikrovlnné trouby:

100P	100% výkon mikrovlnné trouby; rychlý ohřev potravin
------	---

80P	80% výkon mikrovlnné trouby; ohřev potravin
-----	---

60P	60% výkon mikrovlnné trouby; vaření potravin v páře
-----	---

40P	40% výkon mikrovlnné trouby; rozmrazování potravin
-----	--

20P	20% výkon mikrovlnné trouby; udržování teploty potravin
-----	---

- Stisknutím tlačítka **+** nebo **-** nastavte dobu ohřevu.
- Stiskněte tlačítko **INSTANT/START**.
- ✓ Po uplynutí nastavené doby ohřevu se na displeji zobrazí „End“. Tříkrát po sobě zazní signální tón, pokud jste dvířka mikrovlnné trouby ještě neotevřeli.



VÝSTRAHA! Nebezpečí popálení v důsledku ohřátých potravin!

K vyjímání ohřátých potravin z mikrovlnné trouby používejte vhodné chňapky.

- Otevřete dvířka a vyjměte ohřátou potravinu.



POZNÁMKA

Signální tón se bude opakovat každé tři minuty do otevření dvířek.

Otevření dvířek během ohřevu

Otevřením dvířek se postup ohřevu zastaví. Na displeji se zobrazí zbývající doba.

V postupu ohřevu pokračujte takto:

- Opět zavřete víko.
- Stiskněte tlačítko **INSTANT/START**.

7.4 Ohřev kapalin (provozní režim EXPRES)

- Vložte potraviny do mikrovlnné trouby a zavřete dvířka.
- Případně stiskněte opakovaně tlačítko **EXPRESS**, abyste vybrali požadovanou dobu ohřevu 0:30, 1:00 nebo 1:30.
- Stiskněte tlačítko **INSTANT/START**.
- ✓ Po uplynutí nastavené doby ohřevu se na displeji zobrazí „End“. Tříkrát po sobě zazní signální tón, pokud jste dvířka mikrovlnné trouby ještě neotevřeli.



VÝSTRAHA! Nebezpečí popálení v důsledku ohřátých potravin!

K vyjímání ohřátých potravin z mikrovlnné trouby používejte vhodné chňapky.

- Otevřete dvířka a vyjměte ohřátou potravinu.



POZNÁMKA

Signální tón se bude opakovat každé tři minuty do otevření dvířek.

7.5 Rozmrazování (provozní režim DEFROST)

- Vložte potraviny do mikrovlnné trouby a zavřete dvířka.
- Stiskněte tlačítko **DEFROST** a zadejte typ potraviny podle následující tabulky:

d.1	Rozmrazování masa (0,1 až 2,0 kg)
d.2	Rozmrazování drůbeže (0,2 až 3,0 kg)
d.3	Rozmrazování ryb (0,1 až 0,9 kg)

- Stisknutím tlačítka **+** nebo **-** nastavte hmotnost.
- Program rozmrazování spustíte stisknutím tlačítka **INSTANT/START**.
- ✓ Po ukončení programu rozmrazování se na displeji zobrazí „End“ a třikrát po sobě zazní signální tón.



POZNÁMKA

Doby rozmrazování uvedené jako pokyny. Skutečně potřebná doba rozmrazování závisí na druhu potravinu a obsahu vody v ní (maso, ryby, zelenina, ovoce, chléb atd.). Čím je vyšší obsah vody v potravine, tím je delší potřebná doba rozmrazování. Aby se teplo rozdělilo rovnoměrně, potravinu během postupu rozmrazování obračejte, resp. otáčejte.

7.6 Ohřev konkrétních jídel (provozní režim VAŘENÍ)

- ▶ Vložte potravinu do mikrovlnné trouby a zavřete dvířka.
- ▶ Případně stiskněte opakovaně tlačítko **COOK**, abyste vybrali požadovaný pokrm:

A.1	Popcorn 85 g	Pro typické balení popcornu do mikrovlnné trouby o velikosti balení 85 g. Stiskněte tlačítko PAUSE/CANCEL, pokud jednou za 1 až 2 sekundy pukne pouze 1 zrno.
A.2	Popcorn 100 g	Pro A.1 a velikost balení 100 g.
A.3	Pizza	Ohřev 1 kusu zmrazené pizzy (0,15 kg).
A.4	Nápoje 250 ml	Šálek obsahující 250 ml kapaliny při teplotě asi 5 až 10 °C. Použijte široký šálek. Nezakrývejte šálek.
A.5	Nápoje 500 ml	Pro A.4 u šálku s 500 ml kapaliny.
A.6	Brambory	Tepelná úprava bramborových proužků (nakrájených na 5 mm široké kousky). Pro hmotnost 0,45 kg. Proužky rozprostřete na velký talíř. Brambory zakryjte vhodným plastovým obalem, abyste zabránili vysychání.
A.7	Brambory	Pro A.6 o hmotnosti 0,65 kg.
A.8	Ryba	Mírné vaření ryby. Pro hmotnost 0,45 kg. Do připravené ryby udělejte zářezy. Rybu položte na velký talíř, okořeňte a zakryjte vhodným plastovým obalem, aby se nevysušila. Po vaření nechejte rybu 2 minuty odstát.

- ▶ Stiskněte tlačítko **INSTANT/START**.
- ✓ Po uplynutí nastavené doby ohřevu se na displeji zobrazí „End“. Tříkrát po sobě zazní signální tón, pokud jste dvířka mikrovlnné trouby ještě neotevřeli.

**VÝSTRAHA! Nebezpečí popálení v důsledku ohřátých potravin!**

K vyjímání ohřátých potravin z mikrovlnné trouby používejte vhodné chňapky.

**POZNÁMKA**

Uvedené automatické programy ohřevu vycházejí z doporučení. Skutečná doba ohřevu závisí na teplotě, druhu a hmotnosti potravin. Výkon mikrovlnné trouby a dobu ohřevu lze upravit v několika stupních podle potřeby (viz kap. „Nastavení víceúrovňového programu ohřevu“ na straně 238).

- Otevřete dvířka a vyjměte ohřátou potravinu.

**POZNÁMKA**

Signální tón se bude opakovat každé tři minuty do otevření dvířek.

7.7 Nastavení víceúrovňového programu ohřevu

Výkon mikrovlnné trouby a dobu ohřevu lze nastavit až na 4 stupně podle vašich potřeb.

Příklad dvoustupňového programu ohřevu: Přejete si ohřívat pokrm při 100P po dobu 3 minut, při 20P po dobu 9 minut.

- Vložte potraviny do mikrovlnné trouby a zavřete dvířka.
- Případně stiskněte opakovaně tlačítko **POWER**, abyste vybrali požadovaný výkon mikrovlnné trouby 100P.
- Stisknutím tlačítka **+** nebo **-** nastavte dobu ohřevu na 3:00.
- Případně stiskněte opakovaně tlačítko **POWER**, abyste vybrali požadovaný výkon mikrovlnné trouby 20P.
- Stisknutím tlačítka **+** nebo **-** nastavte dobu ohřevu na 9:00.
- Stiskněte tlačítko **INSTANT/START**.

7.8 Programování časovače

Funkce časovače umožňuje nastavit preferovaný čas pro spuštění mikrovlnné trouby.

Příklad nastavení funkce časovače: Je 12:30. Ve 14:30 hod. byste chtěli ohřívat pokrm při 100P po dobu 3 minut.

- ▶ Vložte potraviny do mikrovlnné trouby a zavřete dvířka.
- ▶ Stiskněte krátce tlačítko **CLOCK** k nastavení času.
- ✓ Na displeji se zobrazí 00:00.
- ▶ Stisknutím tlačítka **+** nebo **-** nastavte hodiny na 12:00.
- ▶ Stiskněte tlačítko **CLOCK**.
- ▶ Stisknutím tlačítka **+** nebo **-** nastavte minuty na 12:30.
- ▶ Znovu stiskněte tlačítko **CLOCK**.
- ▶ Případně stiskněte opakovaně tlačítko **POWER**, abyste vybrali požadovaný výkon mikrovlnné trouby 100P.
- ▶ Stisknutím tlačítka **+** nebo **-** nastavte dobu ohřevu na 3 minuty.
- ▶ Stiskněte krátce tlačítko **PRESET** k nastavení času.
- ▶ Stisknutím tlačítka **+** nebo **-** nastavte hodiny na 14:00.
- ▶ Stiskněte tlačítko **PRESET**.
- ▶ Stisknutím tlačítka **+** nebo **-** nastavte minuty na 14:30.
- ▶ Opětovným stisknutím tlačítka **PRESET** uložíte nastavení časovače.
- ✓ Mikrovlnná trouba se spustí v nastaveném čase.

Funkci časovače můžete zkontrolovat stisknutím tlačítka **PRESET**. Na displeji se zobrazí přednastavený čas začátku.

7.9 Zamknutí tlačítek

Zámek tlačítek můžete nastavit jako rodičovskou bezpečnostní funkci.

- ▶ Chcete-li aktivovat zámek tlačítek, podržte stisknuté tlačítko **PAUSE/CANCEL** na 3 sekundy.
- ▶ Chcete-li deaktivovat zámek tlačítek, podržte stisknuté tlačítko **PAUSE/CANCEL** na 3 sekundy.

8 Čištění a péče

- Před čištěním vypněte přístroj a odpojte elektrickou zástrčku.
- K čištění přístroje nepoužívejte brusné prostředky.
- Udržujte vnitřek mikrovlnné trouby čistý. Pokud jídlo stříká nebo na stěnách mikrovlnné trouby ulpívají rozlité kapaliny, otřete je vlhkou utěrkou. Používejte mírný čisticí roztok, pokud je mikrovlnná trouba velmi znečištěná. Nepoužívejte čisticí prostředky ve spreji ani čisticí písky, protože mohou způsobit skvrny, poškození povrchu a dvířek.
- Vnější plochy musíte vyčistit vlhkou utěrkou. Z důvodu zabránění poškození provozních součástí uvnitř mikrovlnné trouby nesmí přímo do větracích otvorů proniknout voda.
- Pravidelně otírejte dvířka a těsnění dvířek a sousední součásti vlhkou utěrkou tak, abyste odstranili nečistoty nebo stříkance.
- Ovládací panel nenechávejte vlhký. Očistěte jej měkkou vlhkou utěrkou. Dvířka nechejte otevřená, aby nedošlo k nechtěnému zapnutí mikrovlnné trouby.
- Pokud se hromadí uvnitř nebo kolem vnější strany dvířek vlhkost, otřete ji měkkou utěrkou do sucha. K tomuto jevu může dojít, pokud používáte mikrovlnnou troubu ve vlhkém prostředí. Tento jev je obvyklý a neškodný.
- Zápach z mikrovlnné trouby můžete odstranit šálkem vody, citrónovou šťávou a citrónovou kůrou. Napusťte roztok do hluboké misky vhodné do mikrovlnné trouby a zapněte mikrovlnnou troubu na 5 minut. Důkladně troubu vyčistěte měkkou utěrkou a vysušte.
- Vadnou žárovku v mikrovlnné troubě nechejte vyměnit specializovaným prodejcem.
- Mikrovlnnou troubu musíte pravidelně čistit a odstraňovat všechny zbytky potravin. Pokud nebudete přístroj udržovat čistý, může dojít k narušení povrchu a zkrácení životnosti přístroje.

9 Odstraňování poruch a závad

Porucha	Náprava
Mikrovlnná trouba nefunguje.	Zkontrolujte, zda je přístroj správně připojen. Pokud není správně připojen, odpojte zástrčku, vyčkejte 10 sekund, a následně mikrovlnnou troubu správně připojte.
	Zkontrolujte, zda nedošlo k propálení pojistky nebo zda nevypnul ochranný vypínač. Pokud správně fungují, otestujte zásuvku použitím jiného přístroje.
	Ujistěte se, že je mikrovlnná trouba a doba ohřevu správně nastavena.
	Zkontrolujte, zda jsou dvířka správně zavřená. V opačném případě mikrovlny nezůstávají uvnitř mikrovlnné trouby.

10 Odpovědnost za vady

Na výrobek je poskytována záruka v souladu s platnými zákony. Zjistíte-li, že je výrobek vadný, zašlete jej do pobočky výrobce ve vaší zemi (adresy viz zadní strana tohoto návodu) nebo do specializovanému prodejci.

K vyřízení opravy nebo záruky nezapomeňte odeslat následující dokumenty:

- Kopii účtenky s datem zakoupení,
- Uvedení důvodu reklamace nebo popisu vady.

11 Likvidace

- Obalový materiál likvidujte v odpadu určeném k recyklaci.



Jakmile výrobek zcela vyřadíte z provozu, informujte se v příslušných recyklačních centrech nebo u specializovaného prodejce o příslušných předpisech o likvidaci odpadu.

12 Technické údaje

	MWO240
Č. výrobku:	9600008377
Jmenovité napětí:	230 V $\overline{=}$, 50 Hz
Výkon mikrovlnné trouby:	700 W
Frekvence mikrovlnné trouby:	2450 MHz
Vnější rozměry V x Š x H:	283 x 451 x 353 mm
Vnitřní rozměry V x Š x H:	181,5 x 303 x 321 mm
Objem:	17 litrů
Hmotnost:	11,5 kg

A készülék használata előtt gondosan olvassa el és őrizze meg ezt a használati útmutatót. Ha a készüléket továbbadja, mellékelje hozzá a használati útmutatót is.

Tartalomjegyzék

1	Szimbólumok magyarázata	243
2	Biztonsági tudnivalók	244
3	A csomag tartalma	246
4	Rendeltetésszerű használat	246
5	Műszaki leírás	247
6	A mikrohullámú sütő csatlakoztatása és beállítása	248
7	A mikrohullámú sütő kezelése	249
8	Tisztítás és ápolás	256
9	Hibaelhárítás	257
10	Garancia	257
11	Ártalmatlanítás	258
12	Műszaki adatok	258

1 Szimbólumok magyarázata



FIGYELMEZTETÉS!

Biztonsági tudnivaló: Az utasítás figyelmen kívül hagyása halált vagy súlyos sérülést okozhat.



VIGYÁZAT!

Biztonsági tudnivaló: Az utasítás figyelmen kívül hagyása sérüléseket okozhat.



FIGYELEM!

Ha nem veszi figyelembe az információt, az anyagkárosodást eredményezhet, és káros kihatással lehet a termék működésére.

**MEGJEGYZÉS**

Kiegészítő információk a termék kezelésével kapcsolatban.

2 Biztonsági tudnivalók

**FIGYELMEZTETÉS!**

- A készüléket csak az ebben az útmutatóban leírt rendeltetési célokra használja.
- Ne használjon korrozív vegyszereket a készülékben.
- A készüléket tilos üresen üzemeltetni.
- Ne helyezze üzembe a készüléket
 - ha sérültek a kábelek vagy dugaszok
 - ha nem működik megfelelően
 - ha megsérült vagy leejtették.
- Ha a készülék csatlakozókábele megsérül, akkor azt a veszélyeztetések elkerülése érdekében a gyártóval, annak vevőszolgálatával vagy egy hasonlóan képzett szakemberrel ki kell cseréltetni.
- A készüléket 8 év feletti gyermekek, valamint korlátozott fizikai, érzékelési és mentális képességű, illetve megfelelő tapasztalattal és tudással nem rendelkező személyek csak felügyelet mellett, illetve a készülék biztonságos használatát és az abból eredő veszélyeket megértve használhatják.
- A tisztítást és a felhasználói karbantartást gyermekek felügyelet nélkül nem végezhetik.
- A készüléket korlátozott testi, szellemi, illetve érzékelési képességgel rendelkező (gyermeket is beleértve), illetve a készülékek használatához szükséges gyakorlat vagy tudás híján lévő személyek nem használják, kivéve, ha használata közben egy felelős személy felügyeli a biztonságukat, illetőleg az ő útmutatása alapján használják a készüléket.
- A gyermekeket felügyelni kell annak érdekében, hogy ne játsszanak a készülékkel.
- A készüléket 8 év alatti gyermekek által nem hozzáférhető módon tárolja és használja.

- A mikrohullámú sütőben keletkező tüzek kockázatának csökkentése érdekében:
 - Az ételek műanyag vagy papír tárolóedényekben való melegítésekor figyeljen arra, hogy ezek nem gyulladnak-e meg a mikrohullámú sütőben.
 - A papír és műanyag tasakokról vegye le a drótokat, mielőtt a mikrohullámú sütőbe rakja ezeket.
 - Ha füst képződik, kapcsolja ki a készüléket, és húzza ki a hálózati dugaszt. Az esetleges lángok lefojtása érdekében tartsa zárva az ajtót.
 - A mikrohullámú sütő belső terét ne használja tárolási célokra. Papír termékeket, főzőeszközöket vagy élelmiszert ne hagyjon a mikrohullámú sütőben, ha nem használja azt.
- Ellenőrizze, hogy az edények alkalmasak-e mikrohullámú sütőben való használatra.
- A mikrohullámú sütőt kizárólag képzett szakember javíthatja. Nem szakképzett személyek számára veszélyes a mikrohullámú sütő szervizelése vagy javítása, mivel ez a burkolatok eltávolításával jár, ami a mikrohullámok sugárzásterhelése elleni védelmet biztosítja.



VIGYÁZAT!

- Folyékony vagy egyéb élelmiszereket tilos zárt tárolóedényekben melegíteni, mivel ezek felrobbanhatnak.
- Az italok melegítés során hirtelen késleltetetten felspriccelhetnek, ezért óvatosan kezelje a tárolóedényeket.
- A mikrohullámú sütő olajban sütésre nem alkalmas. A forró olaj kárt tehet a sütő komponenseiben és az eszközökben, és égési sérüléseket is okozhat a bőrön.
- Nem feltört tojást és keményre főtt tojást tilos a mikrohullámú sütőben melegíteni, mivel ezek a melegítés után is felrobbanhatnak.
- A cumisüvegek vagy itatópoharak tartalmát itatás előtt keverje fel vagy rázza fel, és fogyasztás előtt ellenőrizze a hőmérsékletet.
- Mivel a felmelegített élelmiszer átadja a hőt, ezért az főzőeszközök is felforrósodhatnak. Mozgatásukhoz konyharuhára lehet szükség.
- Égési sérülés veszélye! Üzemelés közben az összes felület felforrósodhat, beleértve a készülék ajtaját is. Tartsa távol a kicsi gyermekeket a készüléktől. A készülék fűtőelemei az üzemelés után is forrók maradhatnak. Ne érjen hozzá a készülékben található fűtőelemekhez.

- A mikrohullámú sütőt ne használja nyitott ajtóval, mivel a mikrohullámok káros hatást fejthetnek ki. A védőberendezéseket nem szabad eltávolítani vagy módosítani.
- Ne helyezzen tárgyakat a mikrohullámú sütő elülső felülete és az ajtó közé.
- Távolítsa el a tisztítási maradványokat, amelyek összegyűlhetnek a tömítőfelületeken.
- Ne helyezze üzembe a készüléket, ha az megsérült. Fontos, hogy a mikrohullámú sütő ajtaja megfelelően záródjon, és ne legyenek sérülések
 - az ajtón (elhajlott)
 - a csuklópántokon és záraikon (törött vagy meglazult)
 - az ajtó-tömítéseken és tömítési felületeken
- Menet közben ne használja a mikrohullámú sütőt.
- Ne használja a mikrohullámú sütőt kiegészítő tárolóhelyként (pl. ruhák számára).

**FIGYELEM!**

- Hasonlítsa össze a típustáblán szereplő feszültségadatokat a rendelkezésre álló energiaellátással.

3 A csomag tartalma

- Mikrohullámú sütő
- Kezelési útmutató

4 Rendeltetészerű használat

A mikrohullámú sütőt lakókocsikban vagy lakóautókban történő használatra tervezték. Kizárólag élelmiszerek maximum 60 perces időtartamban történő felolvasztására és felmelegítésére alkalmas. Ezt a típusú mikrohullámú sütőt kifejezetten melegítés vagy főzés céljára tervezték. Ipari és laboratóriumi felhasználásra nem alkalmas.

A mikrohullámú sütőt váltakozó áramú hálózatról történő üzemeltetésre tervezték.

5 Műszaki leírás

A mikrohullámú sütő a következő szerkezeti elemekkel és kezelőelemekkel rendelkezik:

Szerkezeti elemek

Tétel a 3. oldal 1. ábra, 3. oldal	Magyarázat
1	Kezelőpanel
2	Ajtónyitó
3	Kerámia lap
4	Ajtóreteszelés
5	A mikrohullámú sütő ajtaja

Kezelőelemek

Tétel a 3. oldal 2. ábra, 3. oldal	Magyarázat
1	A főzési időt, a teljesítményt és az aktuális időt megjelenítő kijelző
2	POWER A szükséges mikrohullámú teljesítmény kiválasztása 100P, 80P, 60P, 40P, 20P
3	EXPRESS EXPRESS üzemmód kiválasztása: 0:30, 1:00 vagy 1:30
4	COOK A COOK [FŐZÉS] üzemmód kiválasztása
5	DEFROST A DEFROST [OLVASZTÁS] üzemmód kiválasztása fagyott élelmiszerek olvasztásához
6	CLOCK A pontos idő beállítása
7	PRESET Az időzítő beállítása
8	INSTANT/ START Az aktuális főzési vagy olvasztási program indítása vagy leállítása
9	PAUSE/ CANCEL Megszakítás a beállítások közben Üzemelés közben: egyszeri megnyomás: üzemelés megszakítása, kétszeri megnyomás: üzemelés leállítása

Tétel a 3. oldal		Magyarázat
2. ábra, 3. oldal		
10	–	A főzési idő beállítása Üzemelés közben: a főzési idő vagy a tömeg üzemelés közbeni csökkentése
11	+	A főzési idő beállítása Üzemelés közben: a főzési idő vagy a tömeg üzemelés közbeni növelése
12		Ajtónyitó

6 A mikrohullámú sütő csatlakoztatása és beállítása

6.1 A mikrohullámú sütő felállítása

Az elhelyezéskor vegye figyelembe az alábbi utasításokat:

- Győződjön meg arról, hogy minden csomagolóanyagot eltávolított az ajtó belsejéről.
- Ellenőrizze a mikrohullámú sütőn az olyan hibákat, mint például a rosszul beállított vagy elhajlott ajtó, sérült ajtó-tömítések és tömítési felületek, törött vagy laza ajtózsarnérok és zárok, valamint a belső térben vagy az ajtón lévő horpadások. Ha károsodást észlel, ne helyezze üzembe a mikrohullámú sütőt, és forduljon szakképzett szervizszemélyzethez.
- Saját súlyának és a potenciálisan nehéz élelmiszerek súlyának megtartása érdekében a mikrohullámú sütőt sík, stabil felületre kell helyezni.
- Legalább 85 cm-rel a talaj szintje fölé helyezze a mikrohullámú sütőt.
- Ne helyezze a mikrohullámú sütőt hő, nedvesség, magas páratartalom vagy gyúlékony anyagok közelébe.
- A mikrohullámú sütő szabályos működéséhez megfelelő levegőellátásra van szükség. A hőáramlás biztosítása érdekében tartson megfelelő távolságot a külső falaktól (kb. 5 cm). A mikrohullámú sütő nyílásait tilos lefedni, vagy ezeket eltömíteni. A lábakat nem szabad eltávolítani.
- Győződjön meg arról, hogy a csatlakozókábel nem sérült, nincs a készülék alatt, illetve nem érintkezik forró felületekkel vagy éles szegélyekkel.
- Ne használja a mikrohullámú sütőt a szabadban.

6.2 A mikrohullámú sütő elektromos csatlakoztatása

- ▶ Csatlakoztassa a dugaszt a váltakozó áramú hálózatra.
- ✓ A kijelző háromszor villan, és „-: -” látható.

6.3 Óra beállítása

- ▶ Az aktuális idő beállításához nyomja meg a **CLOCK** gombot.
- ✓ A kijelzőn 00:00 látható.
- ▶ Nyomja meg a **+** vagy **-** gombot az óra beállításához.
- ▶ Nyomja meg a **CLOCK** gombot.
- ▶ Nyomja meg a **+** vagy **-** gombot a perc beállításához.
- ▶ Nyomja meg a **CLOCK** gombot, vagy várjon 5 másodpercet, hogy megtörténjen az aktuális idő mentése.

7 A mikrohullámú sütő kezelése



MEGJEGYZÉS

Az új mikrohullámú sütőben a gyártási maradványok miatt kellemetlen szagok terjenghetnek. A mikrohullámú sütő első néhány használata közben szellőztesse ki a lakóteret. A szagok megszüntetése érdekében javasolt néhány alkalommal magas teljesítményen melegíteni egy pohár vizet.

7.1 Élelmiszerek főzésére vonatkozó információk

- Gondosan rendezze el a élelmiszert. A vastagabb darabokat kívülre helyezze.
- Vegye figyelembe a főzési időt. A legkisebb megadott ideig főzze, és szükség esetén növelje az időt. A túlfőzött élelmiszerek füstöt képezhetnek vagy lángra kaphatnak.
- Főzés közben fedje le az élelmiszert. A lefedés megakadályozza a kifröccsenést, és gondoskodik az egyenletes főzésről.
- Az olyan élelmiszereket, mint a csirke vagy a hamburger, a főzés közben egyszer fordítsa meg. A nagyobb élelmiszereket, mint pl. a sülteteket, legalább egyszer meg kell fordítani.
- Az olyan élelmiszereket, mint a fasírt, a főzési idő felénél rendezze át fentről le, illetve középről kifelé.

7.2 Edényekre vonatkozó információk

- Mikrohullámú sütőben való használatra olyan anyagok a legalkalmasabbak, melyek átengedik a mikrohullámokat, így az energia áthalad az edényen, és felmelegíti az élelmiszert.
- A fémek nem tudnak áthatolni a mikrohullámok, ezért ne használjon fém vagy fém peremű edényeket.
- A mikrohullámú sütőben való főzés céljára nem használjon újrahasznosított papírtermékeket, mivel ezek fémrészecskéket tartalmazhatnak, amelyek szikrákat és/vagy tüzet okozhatnak.
- A kerek/ovális edények alkalmasabbak, mint a négyzet alakú/hosszúkás edények, mivel az utóbbiaknál a sarkoknál lévő élelmiszer túlhevülhet.

A mikrohullámú sütőhöz alkalmas edényekre vonatkozó iránymutatásokat a következő listában soroljuk fel:

Főzőedény	Mikrohullámú sütőhöz alkalmas
Hőálló üveg	Igen
Nem hőálló üveg	Nem
Hőálló kerámia	Igen
Mikrohullámú sütőhöz alkalmas műanyag edény	Igen
Műanyag fólia	Igen (csak alacsony teljesítménynél)
Fémedény	Nem
Fém állvány	Nem
Alufólia és alufóliából készült tartó	Nem
Bambusz edények	Nem
Karton edények	Nem

7.3 Főzés



MEGJEGYZÉS

- A beállítható maximális főzési idő 60 perc.
- A mikrohullámú teljesítményt és a főzési időt tetszőleges sorrendben állíthatja be (pl. először a főzési időt, és ezt követően a mikrohullámú teljesítményt, vagy fordítva).
- Maximális mikrohullámú teljesítmény esetén bizonyos idő elteltével csökken a teljesítmény, hogy a mikrohullámú sütő hosszabb élettartamot érhesse el.
- A kemény héjjal rendelkező élelmiszereket, mint pl. burgonyát, egész tököt, almát vagy gesztenyét a melegítés előtt szurkálja meg.

- Helyezze be az élelmiszert a mikrohullámú sütőbe, és zárja be az ajtót.
- Ha szükséges, egymás után többször nyomja meg a **POWER** gombot a szükséges mikrohullámú teljesítmény kiválasztásához:

100P	100% mikrohullámú teljesítmény, élelmiszerek gyors melegítése
80P	80% mikrohullámú teljesítmény, élelmiszerek melegítése
60P	60% mikrohullámú teljesítmény, élelmiszerek párolása
40P	40% mikrohullámú teljesítmény, élelmiszerek kiolvasztása
20P	20% mikrohullámú teljesítmény, élelmiszerek melegen tartása

- A **+** vagy **-** gomb megnyomásával állítsa be a főzési időt.
- Nyomja meg az **INSTANT/START** gombot.
- ✓ A beállított főzési idő letelte után a kijelzőn megjelenik az „End” üzenet. Ha még nem nyitotta ki a mikrohullámú sütő ajtaját, akkor háromszor egymás után megszólal egy hangjelzés.



FIGYELMEZTETÉS! A forró élelmiszer égési sérüléseket okozhat!

A felmelegített élelmiszer mikrohullámú sütőből történő eltávolításához használjon megfelelő konyharuhát.

- Nyissa ki az ajtót, és vegye ki a felmelegített élelmiszert.



MEGJEGYZÉS

A hangjelzés három percenként ismétlődik mindaddig, amíg ki nem nyitotta az ajtót.

Az ajtó nyitása főzés közben

Az ajtó nyitása esetén a főzési művelet leáll. A kijelzőn megjelenik a hátralévő idő.

A főzést a következő módon folytathatja:

- Zárja be az ajtót.
- Nyomja meg az INSTANT/START gombot.

7.4 Folyadékok melegítése (EXPRESS üzemmód)

- Helyezze be az élelmiszert a mikrohullámú sütőbe, és zárja be az ajtót.
- Ha szükséges, egymás után többször nyomja meg az **EXPRESS** gombot a szükséges főzési idő – 0:30, 1:00 vagy 1:30 – beállításához.
- Nyomja meg az **INSTANT/START** gombot.
- ✓ A beállított főzési idő letelte után a kijelzőn megjelenik az „End” üzenet. Ha még nem nyitotta ki a mikrohullámú sütő ajtaját, akkor háromszor egymás után megszólal egy hangjelzés.



FIGYELMEZTETÉS! A forró ételmezszer égési sérüléseket okozhat!

A felmelegített ételmezszer mikrohullámú sütőből történő eltávolításához használjon megfelelő konyharuhát.

- Nyissa ki az ajtót, és vegye ki a felmelegített ételmezszer.



MEGJEGYZÉS

A hangjelzés három percenként ismétlődik mindaddig, amíg ki nem nyitotta az ajtót.

7.5 Olvasztás (DEFROST üzemmód)

- Helyezze be az ételmezszer a mikrohullámú sütőbe, és zárja be az ajtót.
- Nyomja meg a **DEFROST** gombot, és az alábbi táblázat alapján adja meg az ételmezszer típusát:

d.1	Vörös hús olvasztása (0,1–2,0 kg)
d.2	Szárnyasok olvasztása (0,2–3,0 kg)
d.3	Hal olvasztása (0,1–0,9 kg)

- Nyomja meg a **+** vagy **-** gombot a tömeg beállításához.

- Az olvasztó program indításához nyomja meg az **INSTANT/START** gombot.
- ✓ Az olvasztó program végén a kijelzőn megjelenik az „End” üzenet, és háromszor egymás után hangjelzés hallható.



MEGJEGYZÉS

A megadott olvasztási idők csak iránymutatások. A ténylegesen szükséges olvasztási idő az élelmiszer típusától és víztartalmától függ (hús, hal, zöldség, gyümölcs, kenyér stb.). Minél magasabb az élelmiszer víztartalma, annál több idő szükséges a felolvasztáshoz. A hó egyenletes eloszlása érdekében az olvasztási művelet során forgassa, ill. fordítsa meg az élelmiszert.

7.6 Bizonyos élelmiszerek melegítése (COOK üzemmód)

- Helyezze be az élelmiszert a mikrohullámú sütőbe, és zárja be az ajtót.
- Ha szükséges, egymás után többször nyomja meg a **COOK** gombot a szükséges élelmiszer kiválasztásához:

A.1	Popcorn 85 g	Mikrohullámú sütőben készíthető popcorn szokványos, 85 g-os csomagjához. Nyomja meg a PAUSE/CANCEL gombot, ha 1–2 másodpercenként csak 1 szem pattog ki.
A.2	Popcorn 100 g	Ugyanaz, mint az A.1, de 100 g-os csomaghoz.
A.3	Pizza	1 szelet fagyasztott pizza (0,15 kg) felmelegítéséhez.
A.4	Italok 250 ml	250 ml-nyi 5–10 °C-os folyadékot tartalmazó pohárhoz. Széles poharat használjon. Ne takarja le a poharat.
A.5	Italok 500 ml	Ugyanaz, mint az A.4, de 500 ml folyadékhoz.
A.6	Burgonya	Burgonyacsíkok főzése (5 mm vastagra szeletelve). 0,45 kg-nyi élelmiszerhez. Terítse el egy nagy tálon a csíkokat. A kiszáradás megelőzése érdekében megfelelő műanyag fóliával takarja le a burgonyát.
A.7	Burgonya	Ugyanaz, mint az A.6, de 0,65 kg-hoz.
A.8	Hal	Hal óvatos főzéséhez. 0,45 kg-nyi élelmiszerhez. Vagdossa be az előkészített halat. Helyezze egy nagy tára a halat, fűszerezze meg, és a kiszáradás megelőzése érdekében megfelelő műanyag fóliával takarja le. A főzés után hagyja 2 percig pihenni a halat.

- ▶ Nyomja meg az **INSTANT/START** gombot.
- ✓ A beállított főzési idő letelte után a kijelzőn megjelenik az „End” üzenet. Ha még nem nyitotta ki a mikrohullámú sütő ajtaját, akkor háromszor egymás után megszólal egy hangjelzés.

**FIGYELMEZTETÉS! A forró élelmiszer égési sérüléseket okozhat!**

A felmelegített élelmiszer mikrohullámú sütőből történő eltávolításához használjon megfelelő konyharuhát.

**MEGJEGYZÉS**

A megadott automatikus főzési programok iránymutatásokon alapulnak. A ténylegesen szükséges főzési idő függ az élelmiszer hőmérsékletétől, típusától és tömegétől. A mikrohullámú teljesítmény és a főzési idő több szakaszra állítható be, hogy megfeleljen az Ön igényeinek (lásd „A többszakaszos főzési program beállítása” feje., 254. oldal oldalon).

- ▶ Nyissa ki az ajtót, és vegye ki a felmelegített élelmiszert.

**MEGJEGYZÉS**

A hangjelzés három percenként ismétlődik mindaddig, amíg ki nem nyitotta az ajtót.

7.7 A többszakaszos főzési program beállítása

A mikrohullámú teljesítmény és a főzési idő legfeljebb 4 szakaszra állítható be, hogy megfeleljen az Ön igényeinek.

Példa egy 2 szakaszos főzési programra: 3 percig 100P fokozaton, majd 9 percig 20P fokozaton kíván főzni egy ételt.

- ▶ Helyezze be az élelmiszert a mikrohullámú sütőbe, és zárja be az ajtót.
- ▶ Ha szükséges, egymás után többször nyomja meg a **POWER** gombot, míg a kívánt 100P teljesítmény kiválasztásra nem kerül.
- ▶ A **+** vagy **-** gomb megnyomásával állítsa be 3:00 percre a főzési időt.
- ▶ Ha szükséges, egymás után többször nyomja meg a **POWER** gombot, míg a kívánt 20P teljesítmény kiválasztásra nem kerül.
- ▶ A **+** vagy **-** gomb megnyomásával állítsa be 9:00 percre a főzési időt.
- ▶ Nyomja meg az **INSTANT/START** gombot.

7.8 Az időzítő programozása

Az időzítő funkció lehetővé teszi, hogy beállítsa a mikrohullámú sütő indításának kívánt időpontját.

Példa az időzítő funkció beállítására: 12:30 van. Délután 2:30-kor szeretné 3 percig 100P fokozaton főzni az ételt.

- ▶ Helyezze be az élelmiszert a mikrohullámú sütőbe, és zárja be az ajtót.
- ▶ Az aktuális idő beállításához nyomja meg a **CLOCK** gombot.
- ✓ A kijelzőn 00:00 látható.
- ▶ A **+** vagy **-** gomb megnyomásával állítsa be 12:00-ra az órát.
- ▶ Nyomja meg a **CLOCK** gombot.
- ▶ A **+** vagy **-** gomb megnyomásával állítsa be 12:30-ra a percet.
- ▶ Nyomja meg újra a **CLOCK** gombot.
- ▶ Ha szükséges, egymás után többször nyomja meg a **POWER** gombot, míg a kívánt 100P teljesítmény kiválasztásra nem kerül.
- ▶ A **+** vagy **-** gomb megnyomásával állítsa be délután 3:00-ra a főzési időt.
- ▶ Az időzítő beállításához nyomja meg a **PRESET** gombot.
- ▶ A **+** vagy **-** gomb megnyomásával állítsa be délután 2:00-ra az órát.
- ▶ Nyomja meg a **PRESET** gombot.
- ▶ A **+** vagy **-** gomb megnyomásával állítsa be délután 2:30-ra a percet.
- ▶ Az időzítő beállításának mentéséhez nyomja meg újra a **PRESET** gombot.
- ✓ A mikrohullámú sütő a beállított időpontban indul el.

A **PRESET** gomb megnyomásával ellenőrizheti az időzítő funkciót. A kijelző a beállított indítási időt mutatja.

7.9 Gombok zárolása

Gyermekbiztonsági funkcióként billentyűzár állítható be.

- ▶ A billentyűzár aktiválásához 3 másodpercig tartsa lenyomva a **PAUSE/CANCEL** gombot.
- ▶ A billentyűzár kikapcsolásához 3 másodpercig tartsa lenyomva a **PAUSE/CANCEL** gombot.

8 Tisztítás és ápolás

- Tisztítás előtt kapcsolja ki a készülékét, és húzza ki a hálózati dugaszt.
- A készülék tisztításához ne használjon súrolószert.
- Tartsa tisztán a mikrohullámú sütő belsejét. Ha kifröccsent ételt vagy kiömlött folyadékot lát a mikrohullámú sütő falain, akkor ezt egy nedves kendővel mossa le. Ha a mikrohullámú sütő nagyon szennyezett, használjon kímélő tisztítószert. Ne használjon spray-ket és más erős tisztítószereket, mivel ezek az ajtón foltokat, csíkokat okozhatnak, vagy eltompíthatják a felületek fényét.
- A külső felületek tisztítását célszerű nedves kendővel végezni. A mikrohullámú sütő belsejében lévő üzemi alkatrészek károsításának elkerülése érdekében a víz ne jusson be közvetlenül a készülék szellőzőnyílásaiba.
- A szennyeződések és a kifröccsent étel eltávolítása érdekében nedves kendővel rendszeresen törölje az ajtót, az ajtótomítéseket és a szomszédos alkatrészeket.
- A kezelőpanelre ne kerüljön víz. Ezt puha, nedves kendővel tisztítsa. Hagyja nyitva az ajtót, így nem tudja véletlenül bekapcsolni a mikrohullámú sütőt.
- Ha a készülék belsejében vagy az ajtó külső oldalán nedvesség gyűlik össze, akkor ezt egy puha kendővel törölje szárazra. Ez olyankor történhet, ha a mikrohullámú sütőt magas páratartalmú helyiségben működtetik; ez azonban normális jelenség.
- A mikrohullámú sütőben terjengő szagok egy csésze vízzel és citromlével, illetve citromhéjjal távolíthatók el. Ezeket helyezze egy mély, mikrohullámú sütőhöz alkalmas edénybe, és 5 percre kapcsolja be a mikrohullámú sütőt. Egy puha kendővel alaposan törölje szárazra.
- A mikrohullámú sütő meghibásodott lámpáját szakkereskedésben cseréltesse ki.
- Rendszeresen tisztítsa meg a mikrohullámú sütőt, és távolítsa el az összes ételmaradványt. Ha nem tartja tisztán a készülékét, akkor a felületek károsodhatnak, ami negatív hatással van a készülék élettartamára.

9 Hibaelhárítás

Hiba	Megoldás
A mikrohullámú sütő nem működik.	Győződjön meg arról, hogy a mikrohullámú sütő megfelelően van csatlakoztatva. Ha nem megfelelően csatlakoztatta, húzza ki a csatlakozót, várjon 10 másodpercet, és csatlakoztassa helyesen a mikrohullámú sütőt.
	Ellenőrizze, hogy nem égett-e ki egy biztosíték vagy nem kapcsolt-e le egy védőkapcsoló. Ha ezek szabályosan működnek, ellenőrizze egy másik készülékkel a csatlakozóaljzatot.
	Győződjön meg róla, hogy a mikrohullámú sütő és a főzési idő megfelelően van-e beállítva.
	Ellenőrizze, hogy jól becsukta-e az ajtót. Ellenkező esetben a mikrohullámok nem jutnak be a mikrohullámú sütő belső terébe.

10 Garancia

A termékre a törvény szerinti szavatossági időszak érvényes. A termék meghibásodása esetén forduljon a gyártói lerakathoz (a címeket lásd jelen útmutató hátoldalán), illetve az illetékes szaktereskedőhöz.

A javításhoz, illetve a szavatossági adminisztrációhoz a következő dokumentumokat kell mellékelnie:

- a számla vásárlási dátummal rendelkező másolatát,
- a reklamáció okát vagy a hibát tartalmazó leírást.

11 Ártalmatlanítás

- ▶ A csomagolóanyagot lehetőleg a megfelelő újrahasznosítható hulladék közé tegye.



Ha a terméket véglegesen kivonja a forgalomból, kérjük, tájékozódjon a legközelebbi hulladékártalmatlanító központnál vagy a szaktereskedőjénél az idevonatkozó ártalmatlanítási előírásokkal kapcsolatosan.

12 Műszaki adatok

	MWO 240
Cikkszám:	9600008377
Névleges feszültség:	230 V $\overline{=}$, 50 Hz
Mikrohullám-teljesítmény:	700 W
Mikrohullám-frekvencia:	2450 MHz
Külső méretek (magasság x szélesség x mélység):	283 x 451 x 353 mm
Belső méretek (magasság x szélesség x mélység):	181,5 x 303 x 321 mm
Űrtartalom:	17 liter
Súly:	11,5 kg

Mobile living made easy.



dometic.com

**YOUR LOCAL
DEALER**

dometic.com/dealer

**YOUR LOCAL
SUPPORT**

dometic.com/contact

**YOUR LOCAL
SALES OFFICE**

dometic.com/sales-offices

A complete list of Dometic companies, which comprise the Dometic Group, can be found in the public filings of:
DOMETIC GROUP AB Hemvärnsgatan 15 SE-17154 Solna Sweden