

Atera SIGNO

Opel Combo 01/2012–
(ohne Reling/without rail)

Fiat Doblo 02/2010–
(ohne Reling/without rail)

Atera SIGNO

Fiat

Doblo 02/2010–
(ohne Reling/without rail)

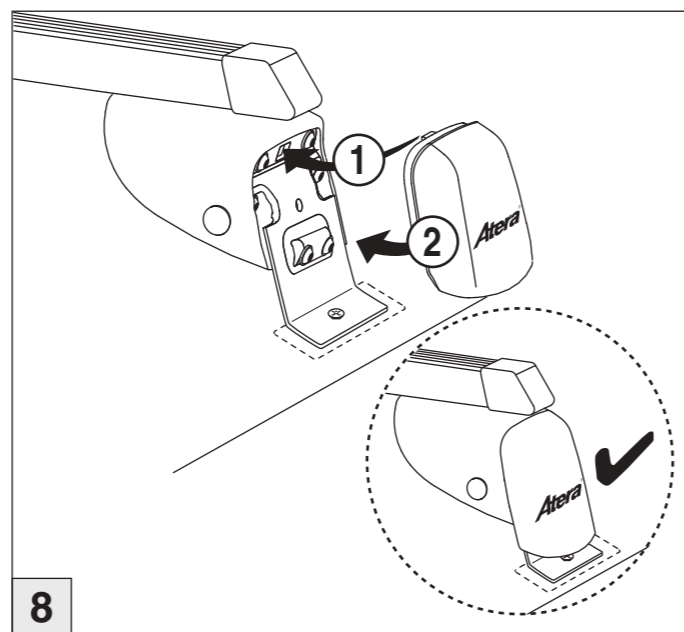
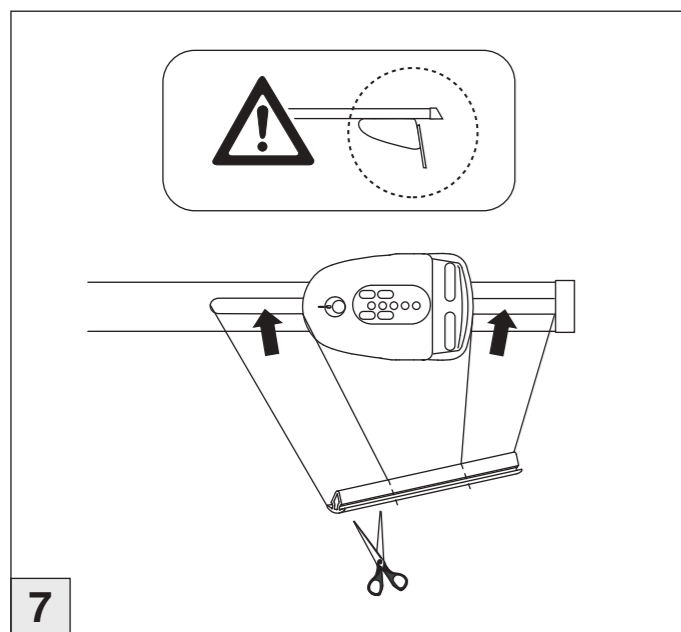
Opel

Combo 01/2012–09/2018
(ohne Reling/without rail)

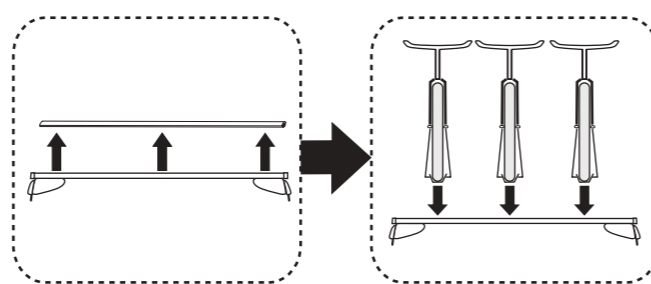
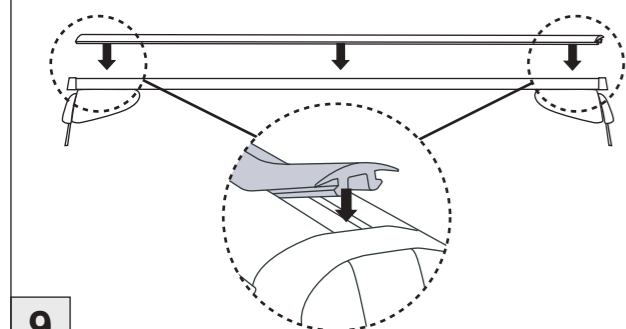
Zusatzbügel / additional carrier bow

Part-No. : 044 179

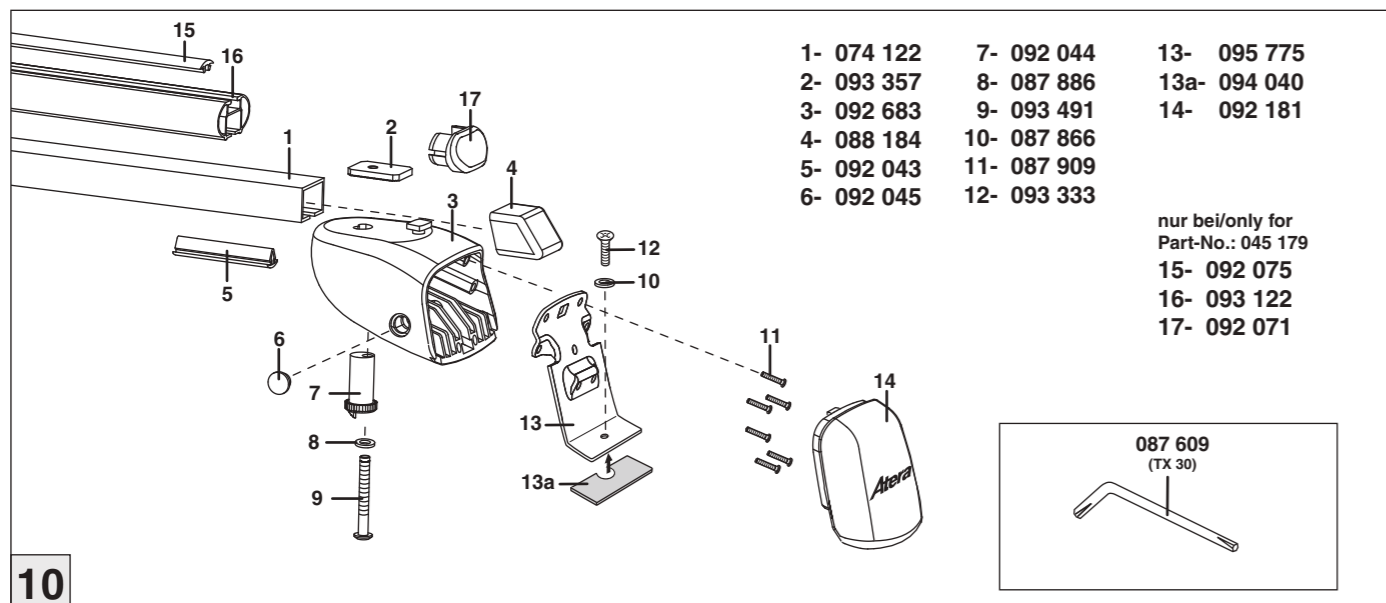
Part-No. : 045 179



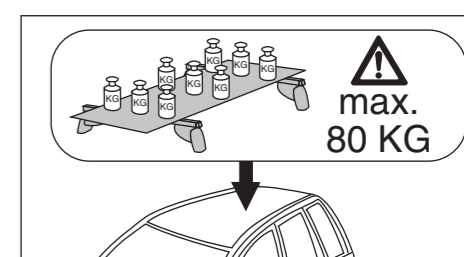
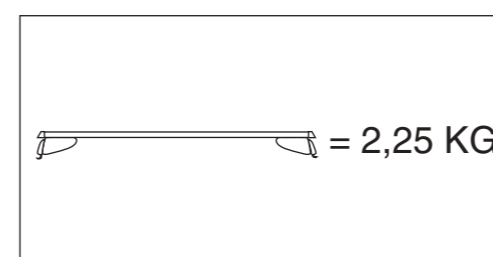
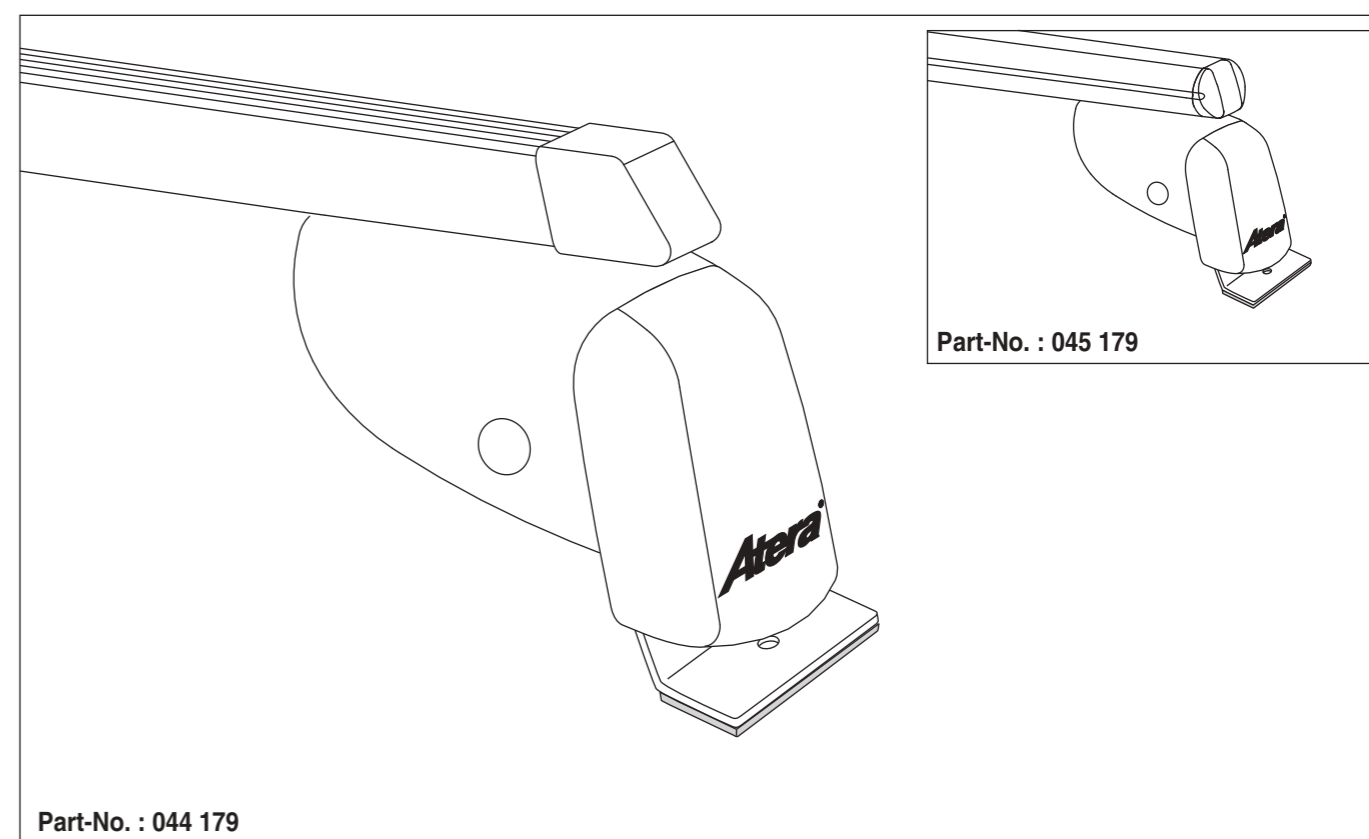
nur bei / only for Part-No.: 045 179



9



10



Atera
MADE IN GERMANY

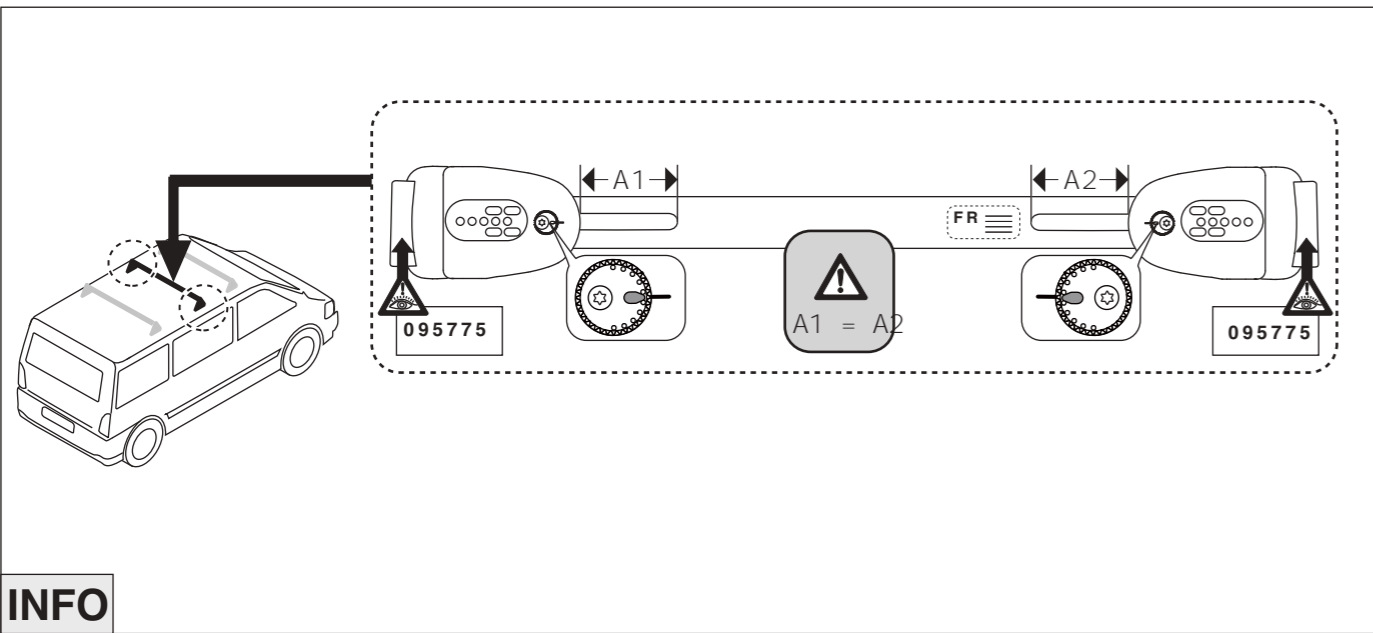
Atera GmbH
Im Herrach 1
D-88299 Leutkirch
Internet: www.atera.de



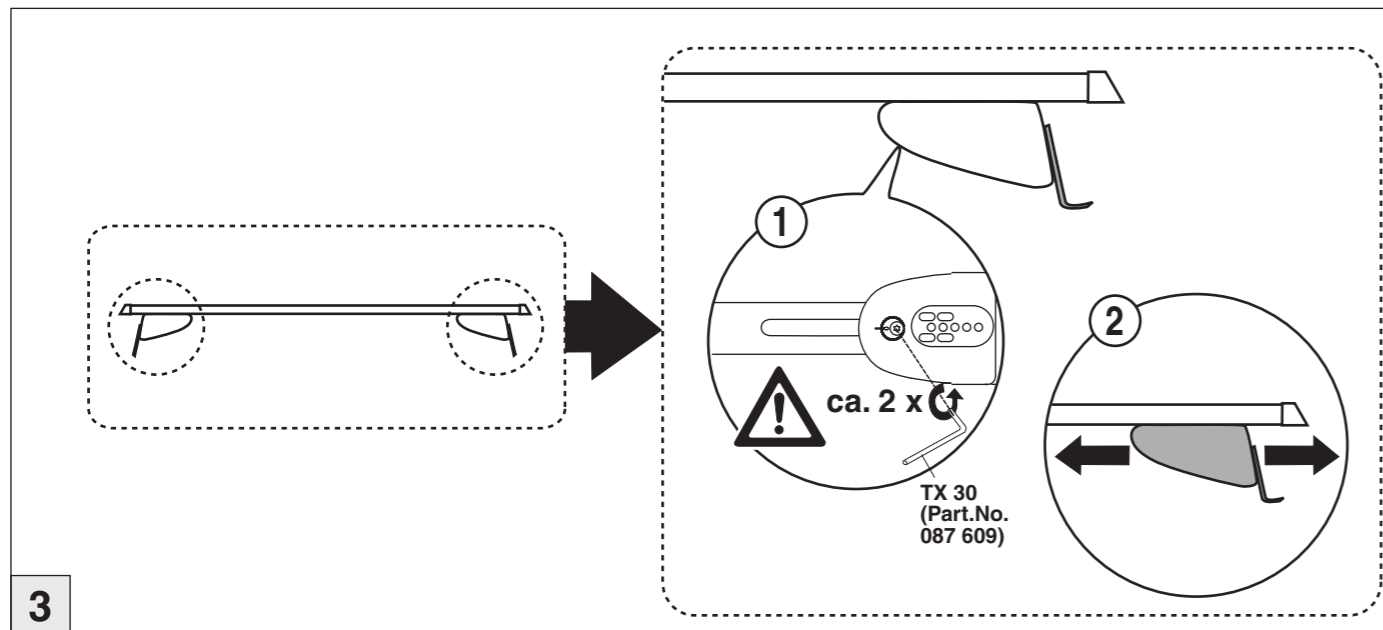
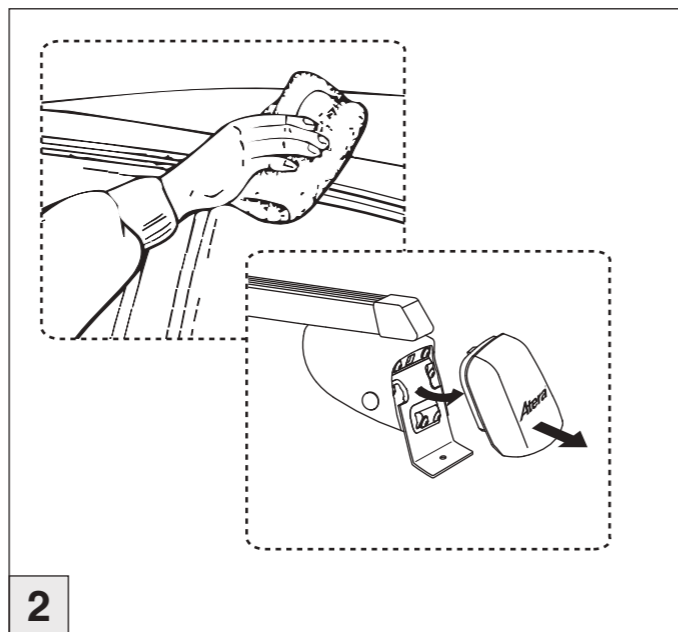
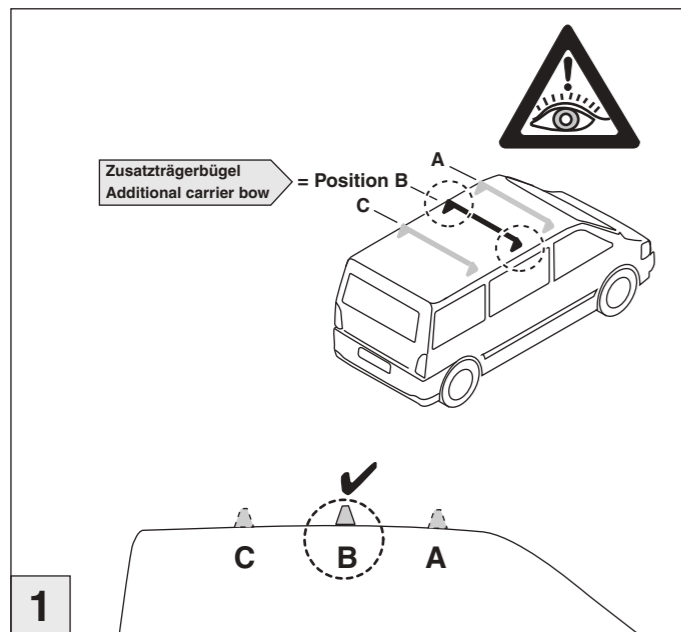
Atera SIGNO

Opel Combo 01/2012–
(ohne Reling/without rail)

Fiat Doblo 02/2010–
(ohne Reling/without rail)



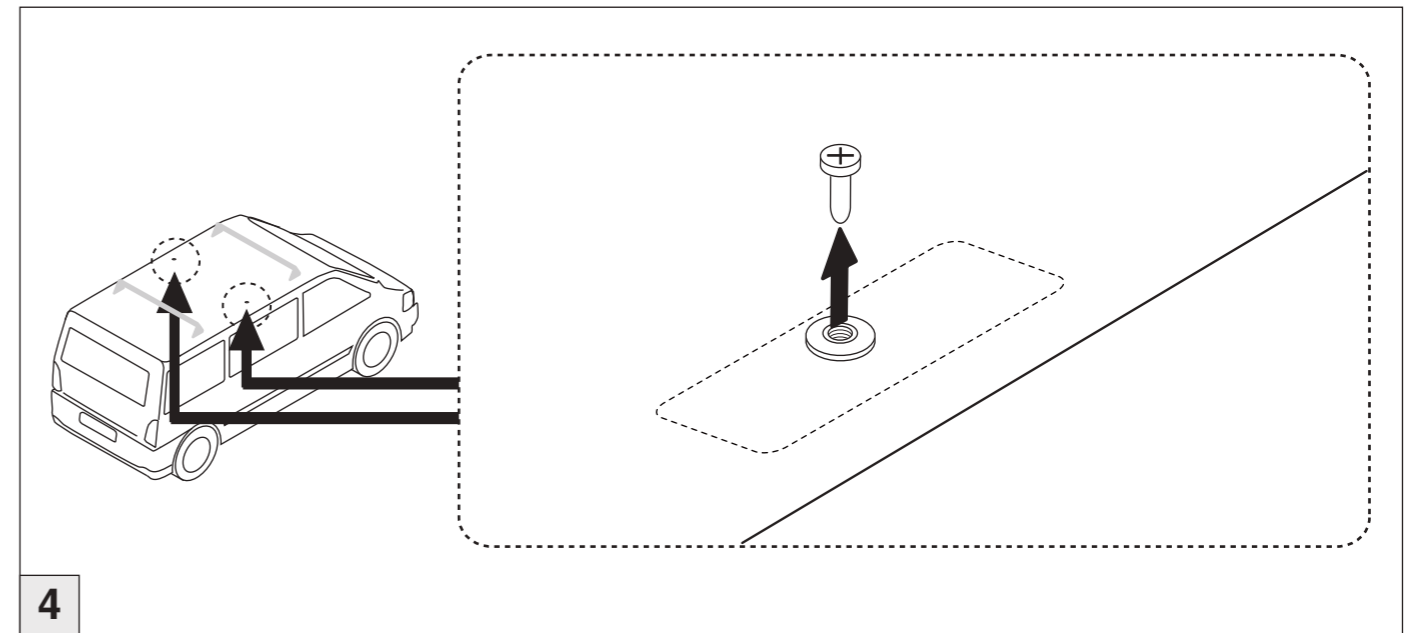
INFO



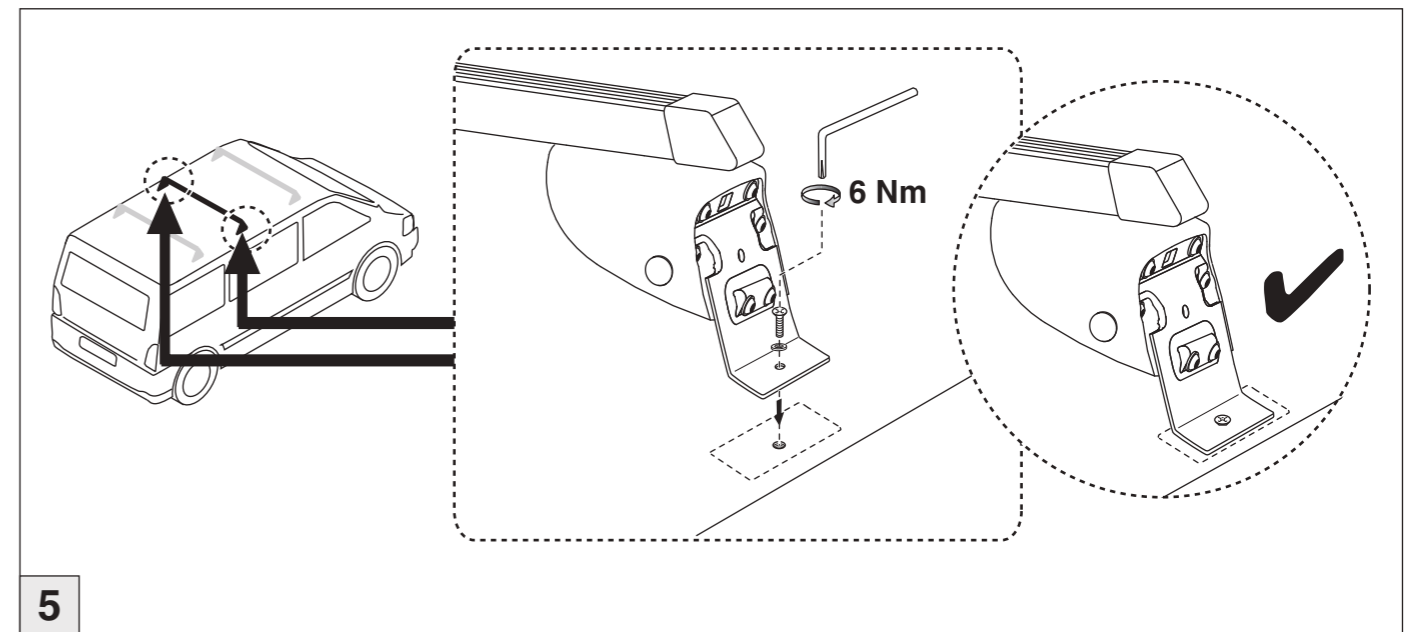
Atera SIGNO

Opel Combo 01/2012–
(ohne Reling/without rail)

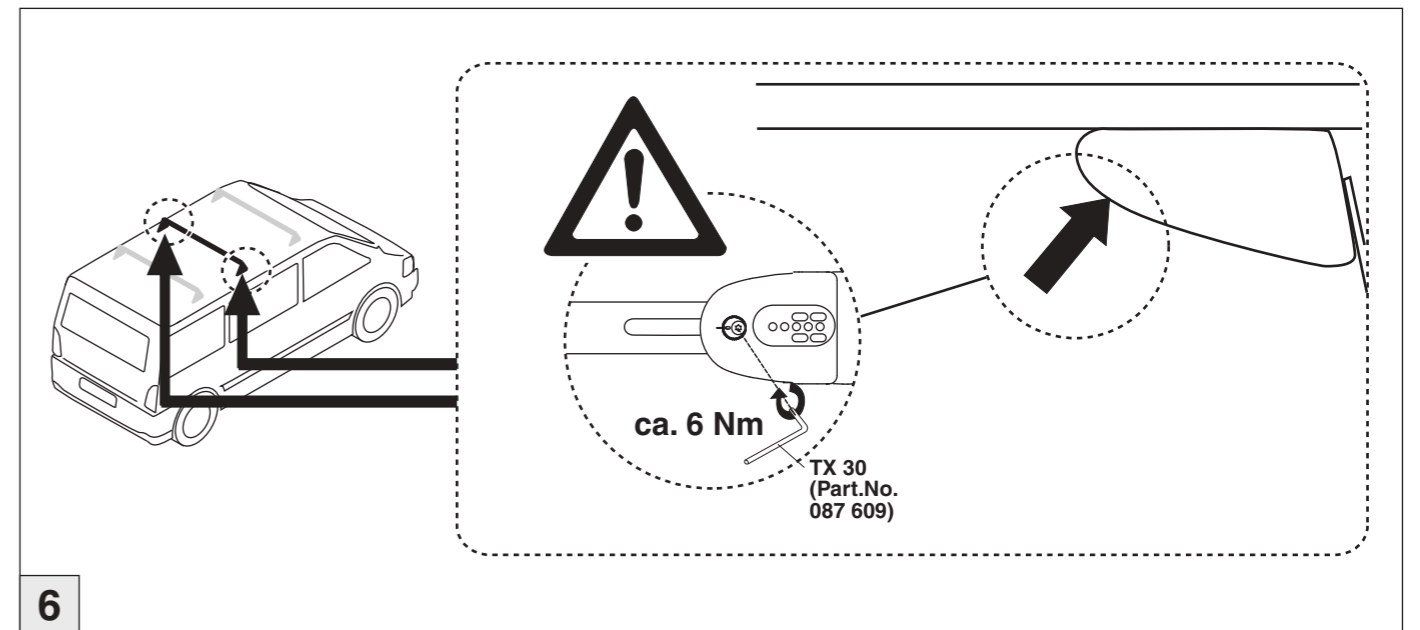
Fiat Doblo 02/2010–
(ohne Reling/without rail)



4



5



6