

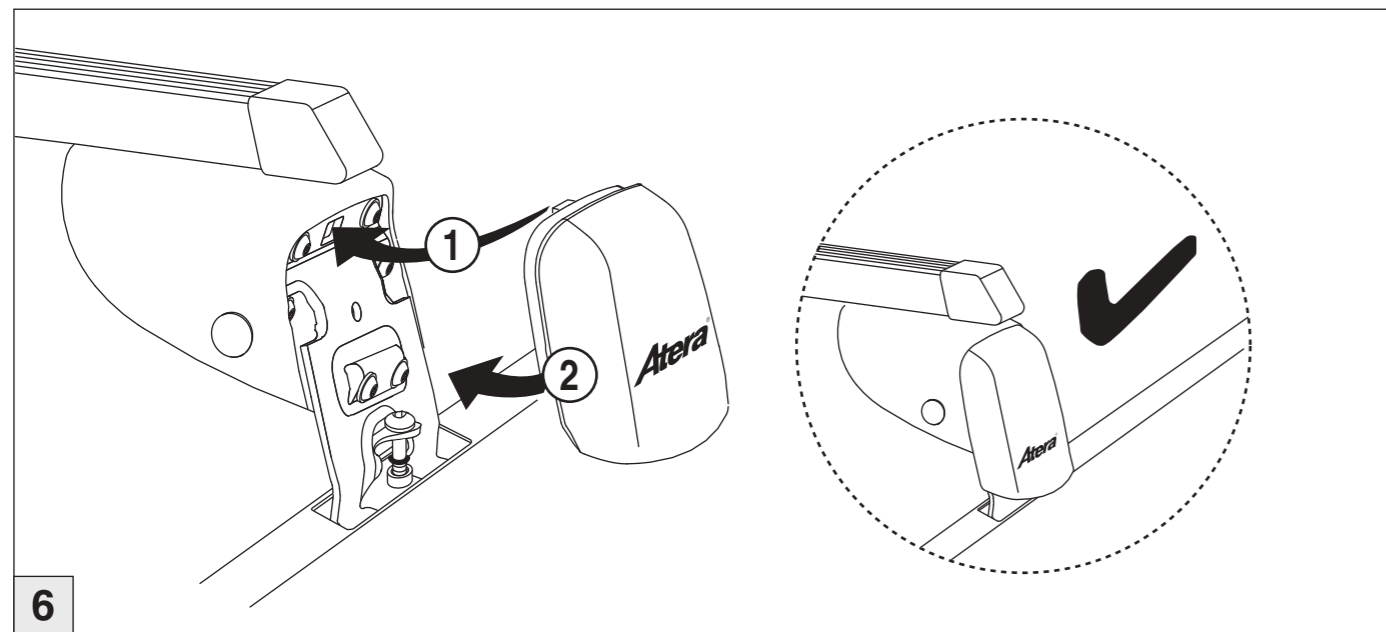
Atera SIGNO

Mitsubishi Lancer Sportback
(5-türig/doors/portes)

11/2008-

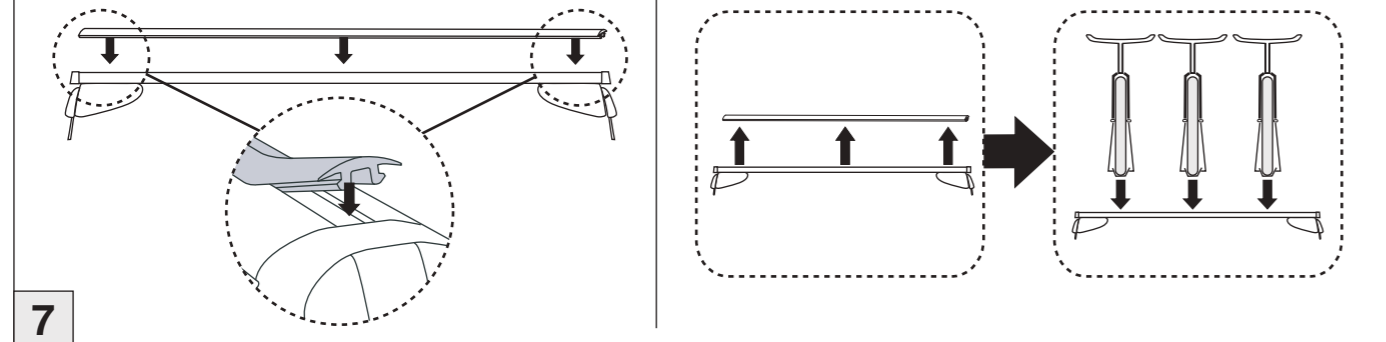
Mitsubishi Lancer
(4-türig/doors/portes)

12/2007-

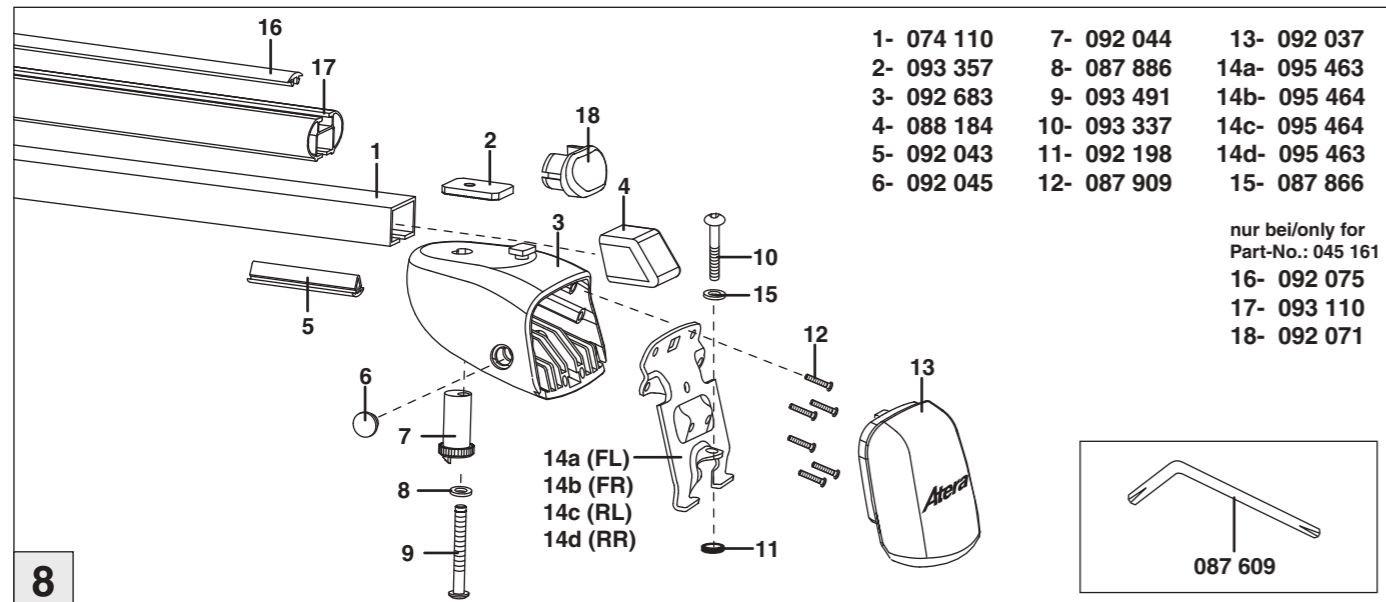


6

nur bei / only for Part-No.: 045 161



7



8

Atera[®] SIGNO



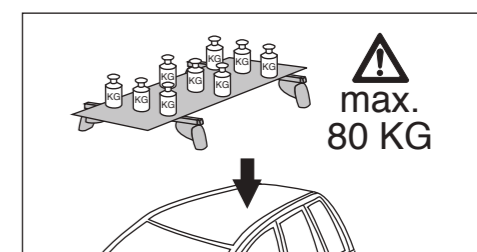
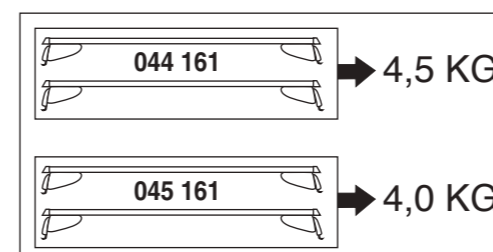
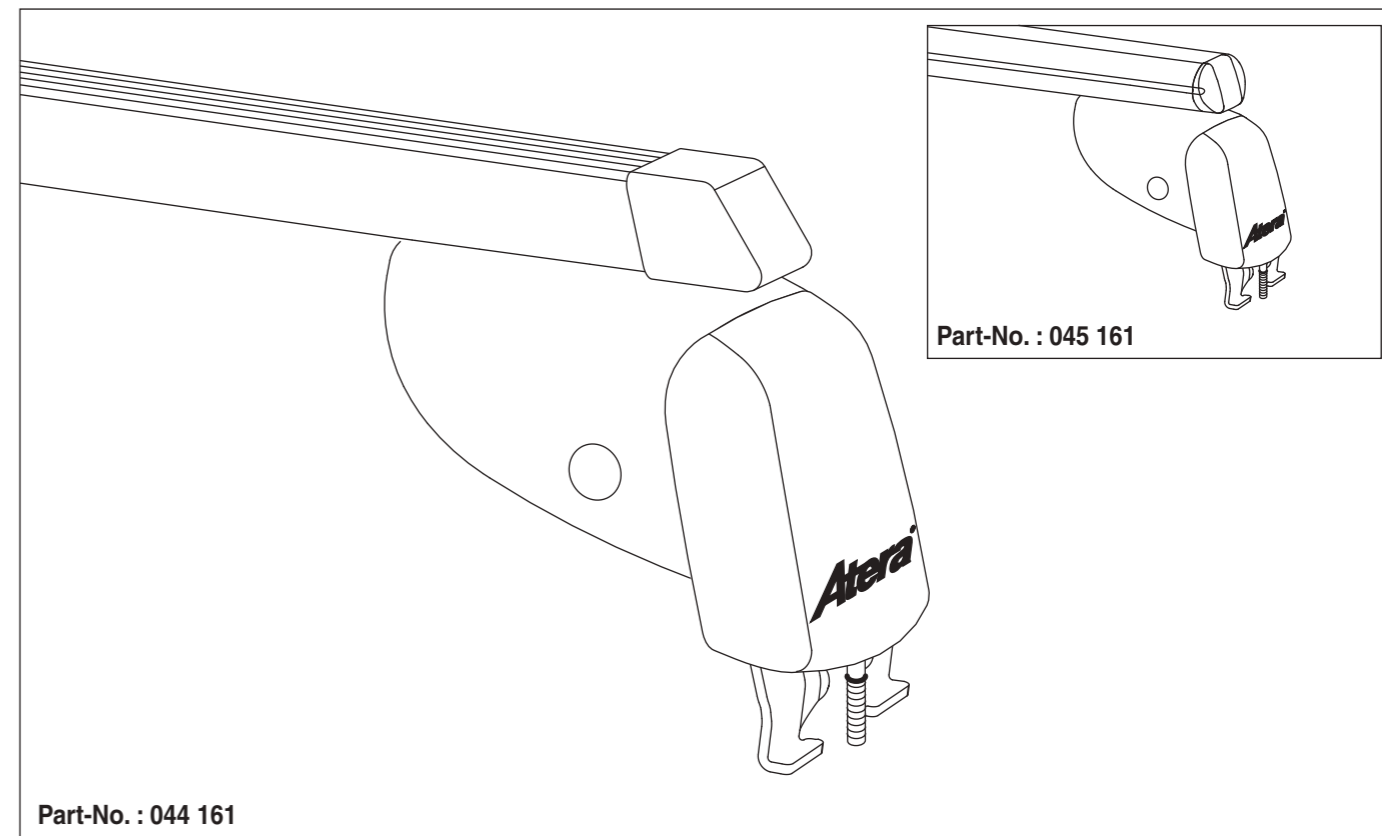
Mitsubishi

Lancer 12/2007-
(4-türig/doors/portes)

Lancer Sportback 11/2008-
(5-türig/doors/portes)

Part-No. : 044 161

Part-No. : 045 161



Atera
MADE IN GERMANY

Atera GmbH
Im Herrach 1
D-88299 Leutkirch
Servicetelefon: 0180-50 000 89
(14 ct/Min. aus dem dt. Festnetz)
E-Mail: info@atera.de

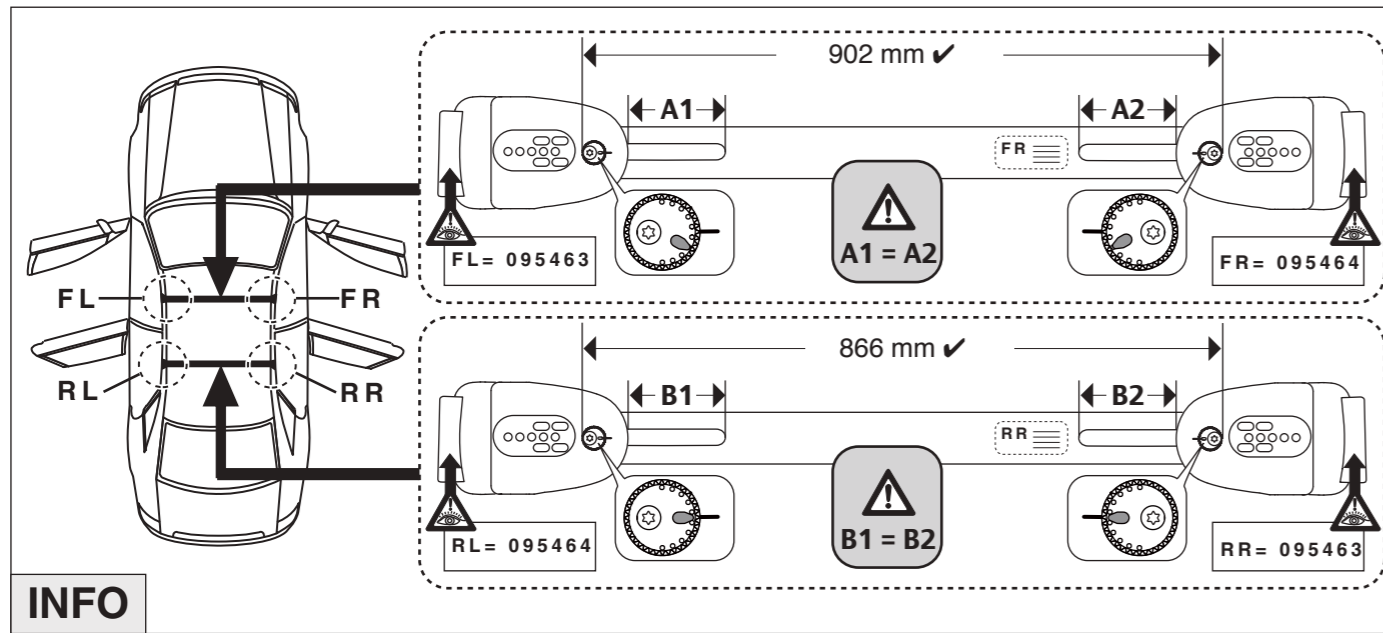
Atera SIGNO

Mitsubishi Lancer Sportback
(5-türig/doors/portes)

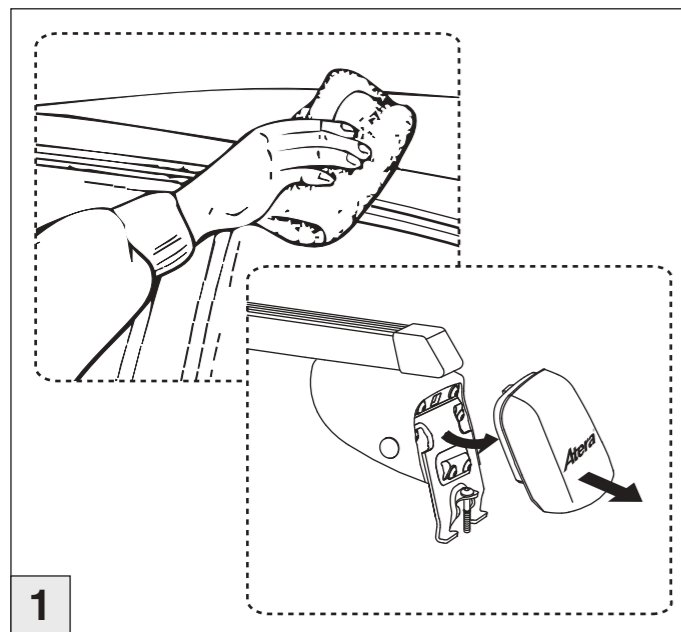
11/2008–

Mitsubishi Lancer
(4-türig/doors/portes)

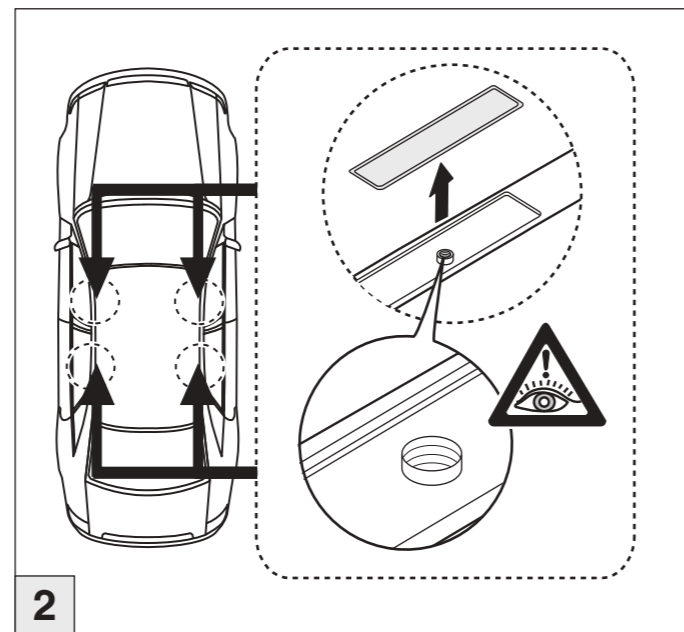
12/2007–



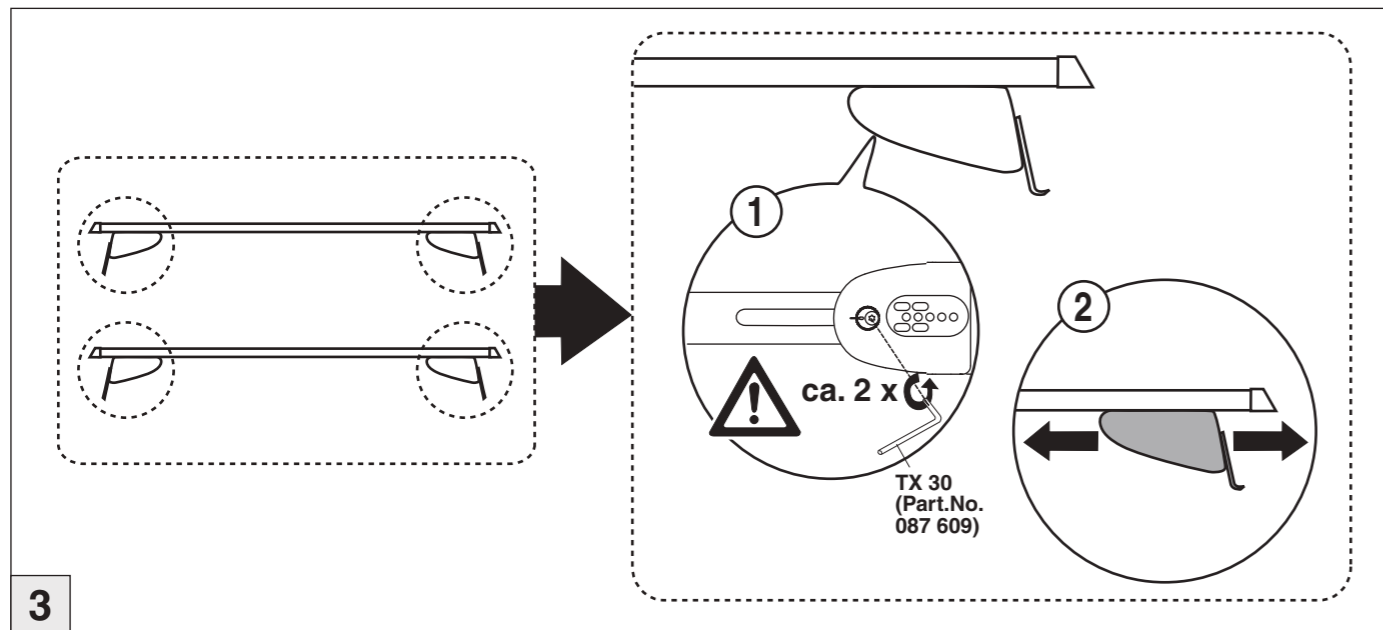
INFO



1



2



3

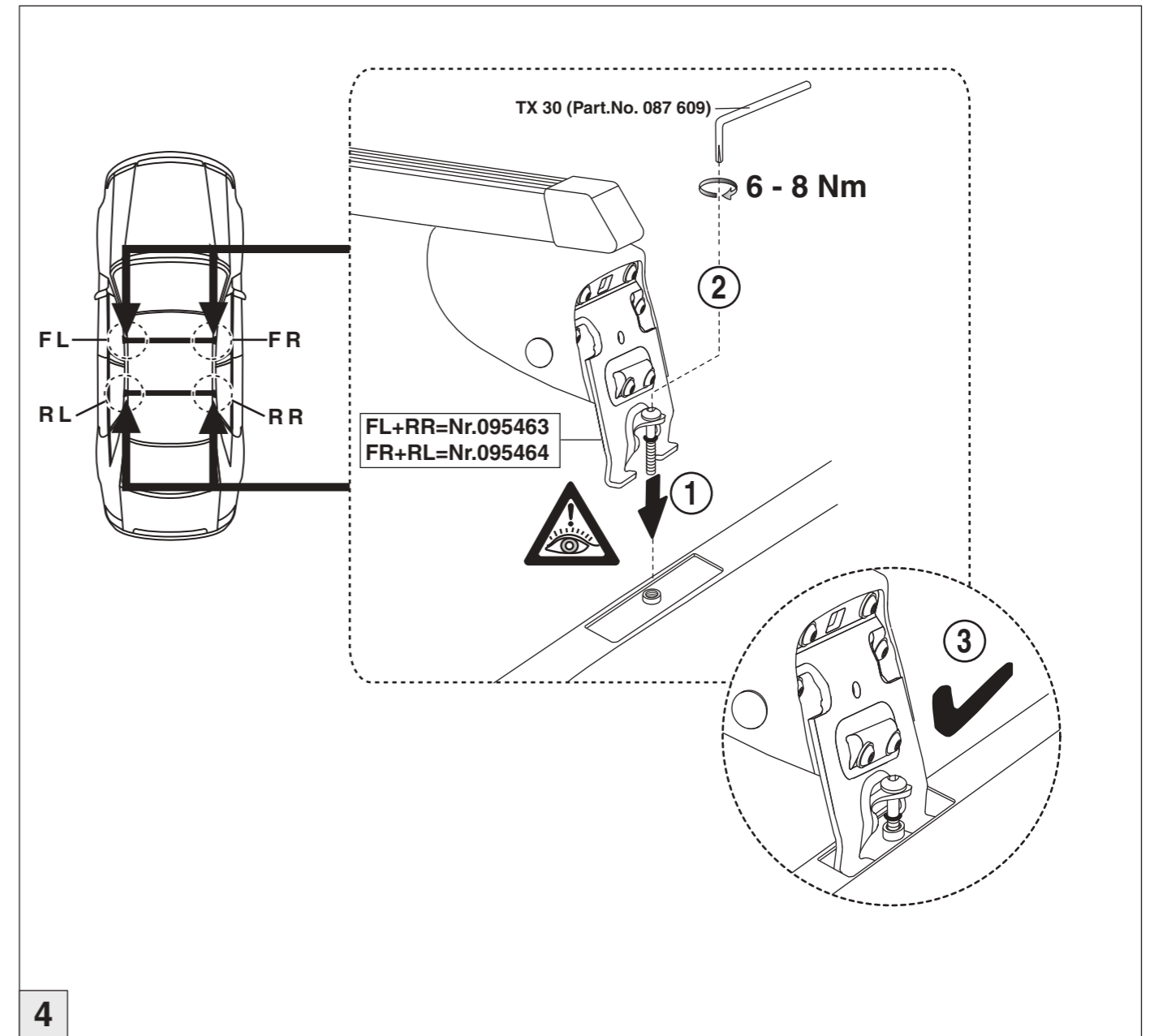
Atera SIGNO

Mitsubishi Lancer Sportback
(5-türig/doors/portes)

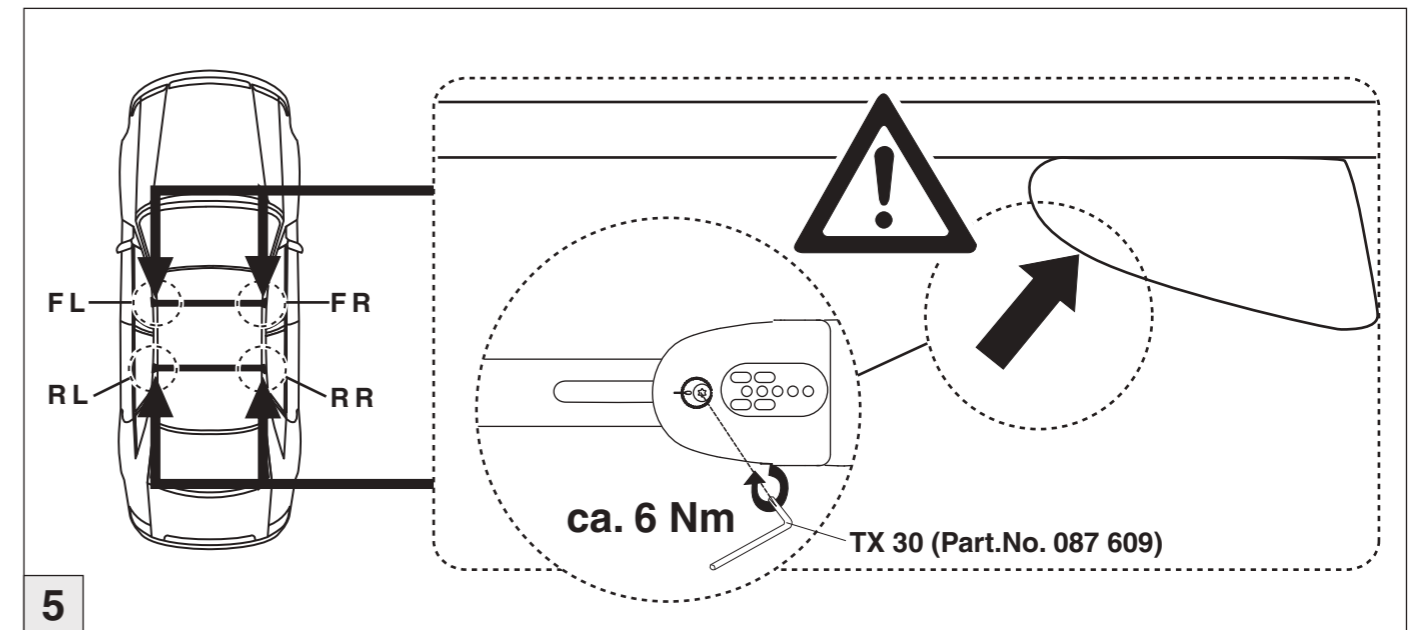
11/2008–

Mitsubishi Lancer
(4-türig/doors/portes)

12/2007–



4



5